

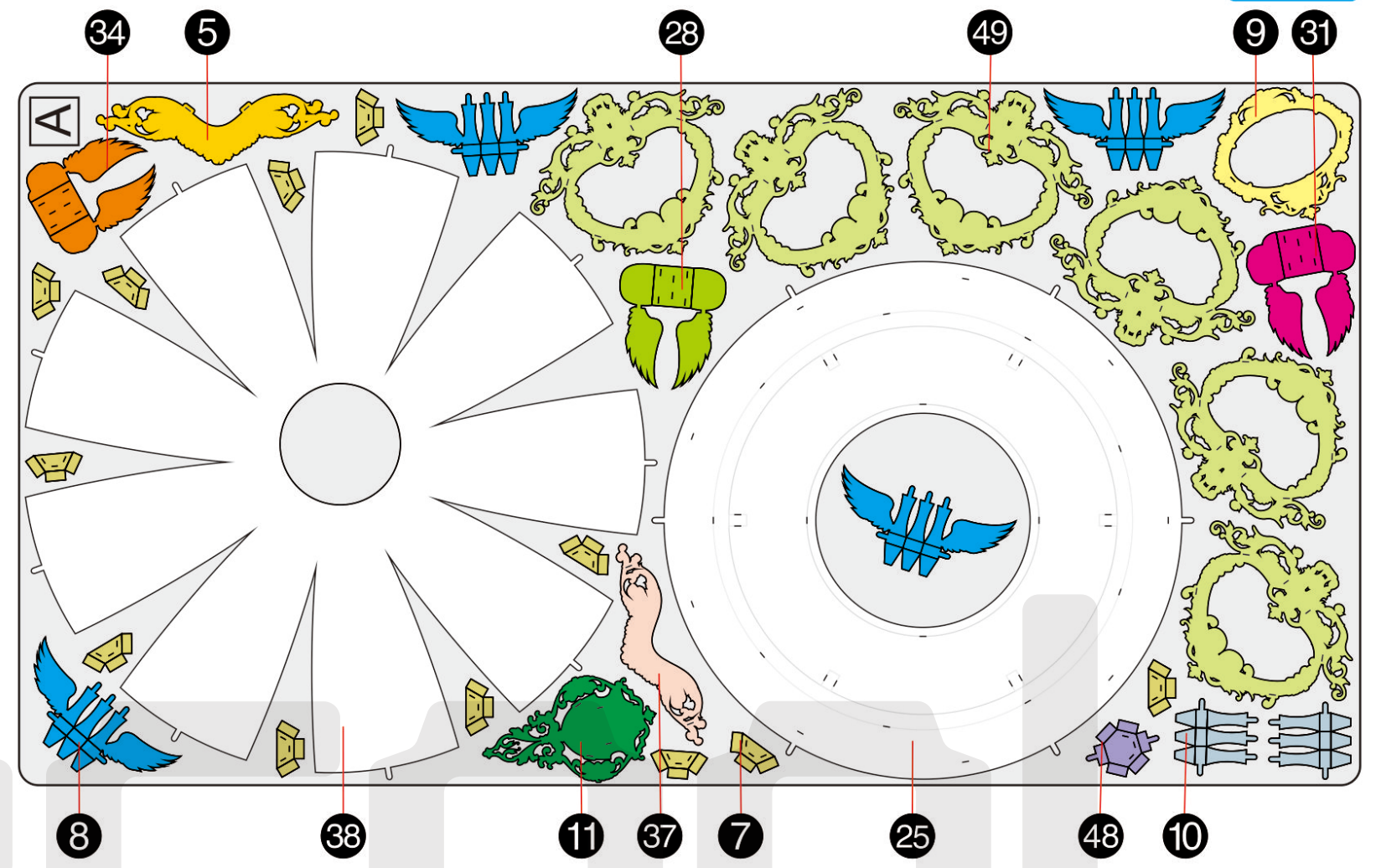
piececool

MERRY GO ROUND HP135

Metal Sheet + Accessories kit Sketch Map

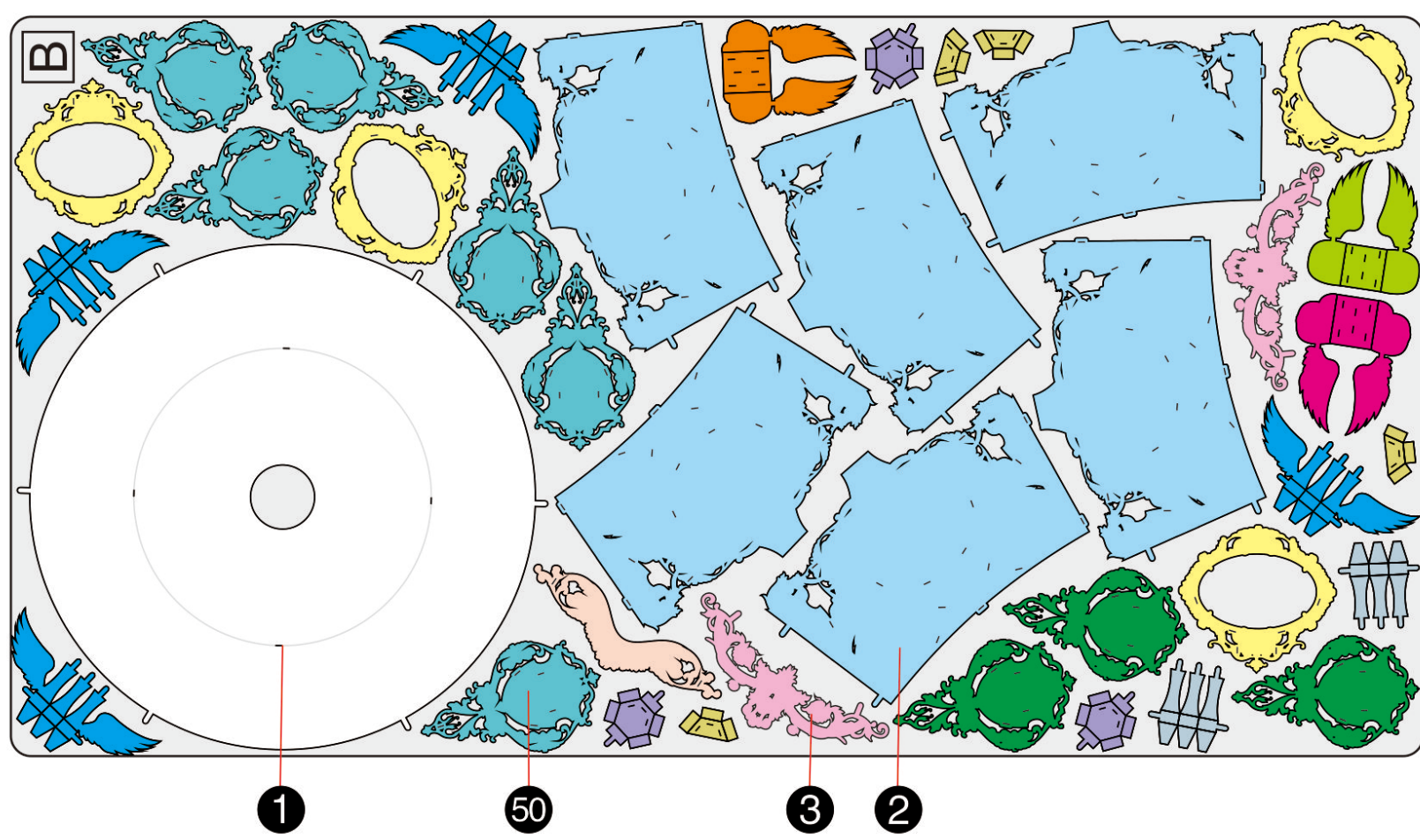
© WIST PLASTIC & METAL TECHNOLOGY LIMITED. ALL RIGHTS RESERVED.
CP-PART-HP135#-A1-20201216

A



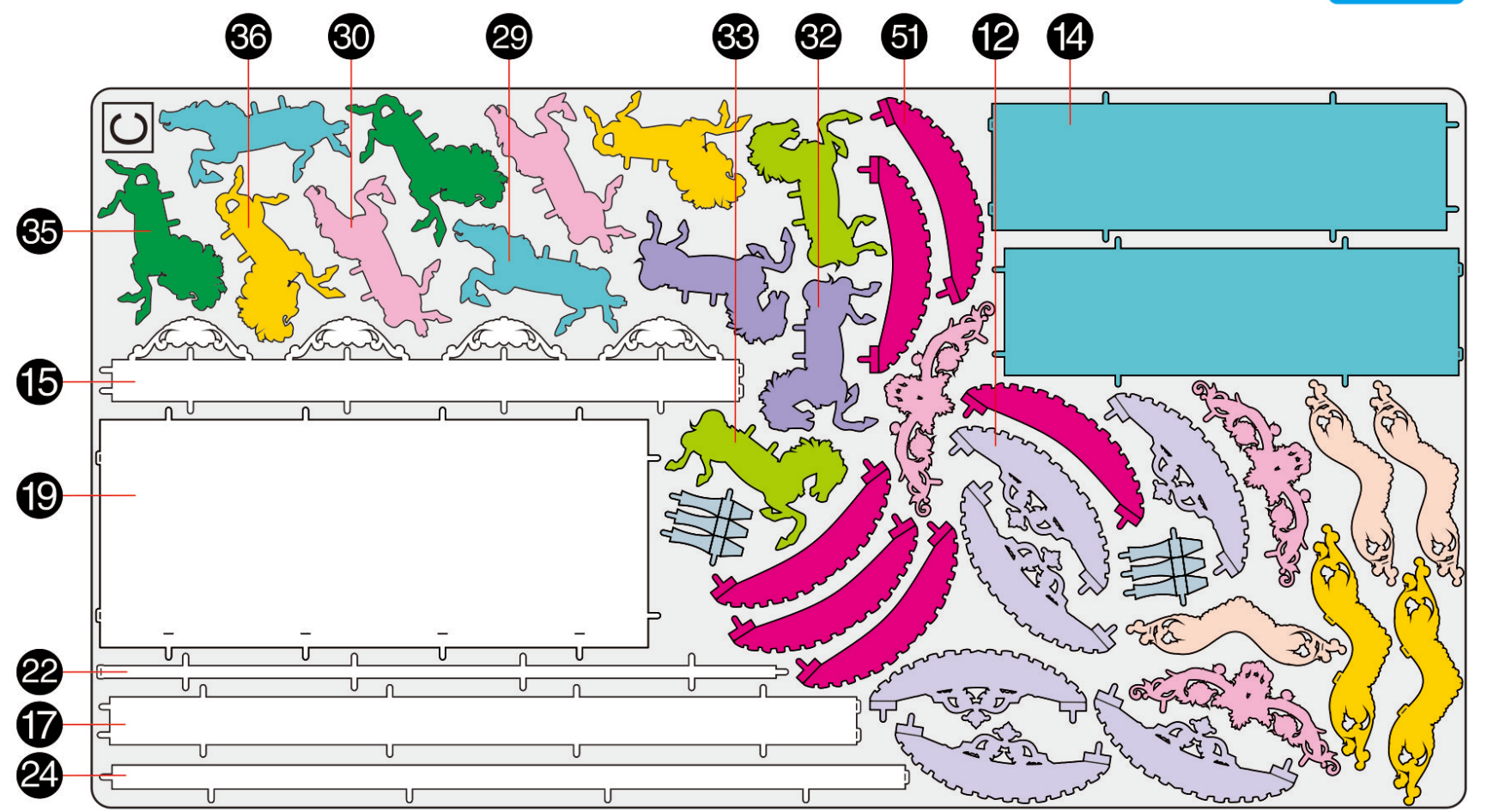
Metal Sheet

B



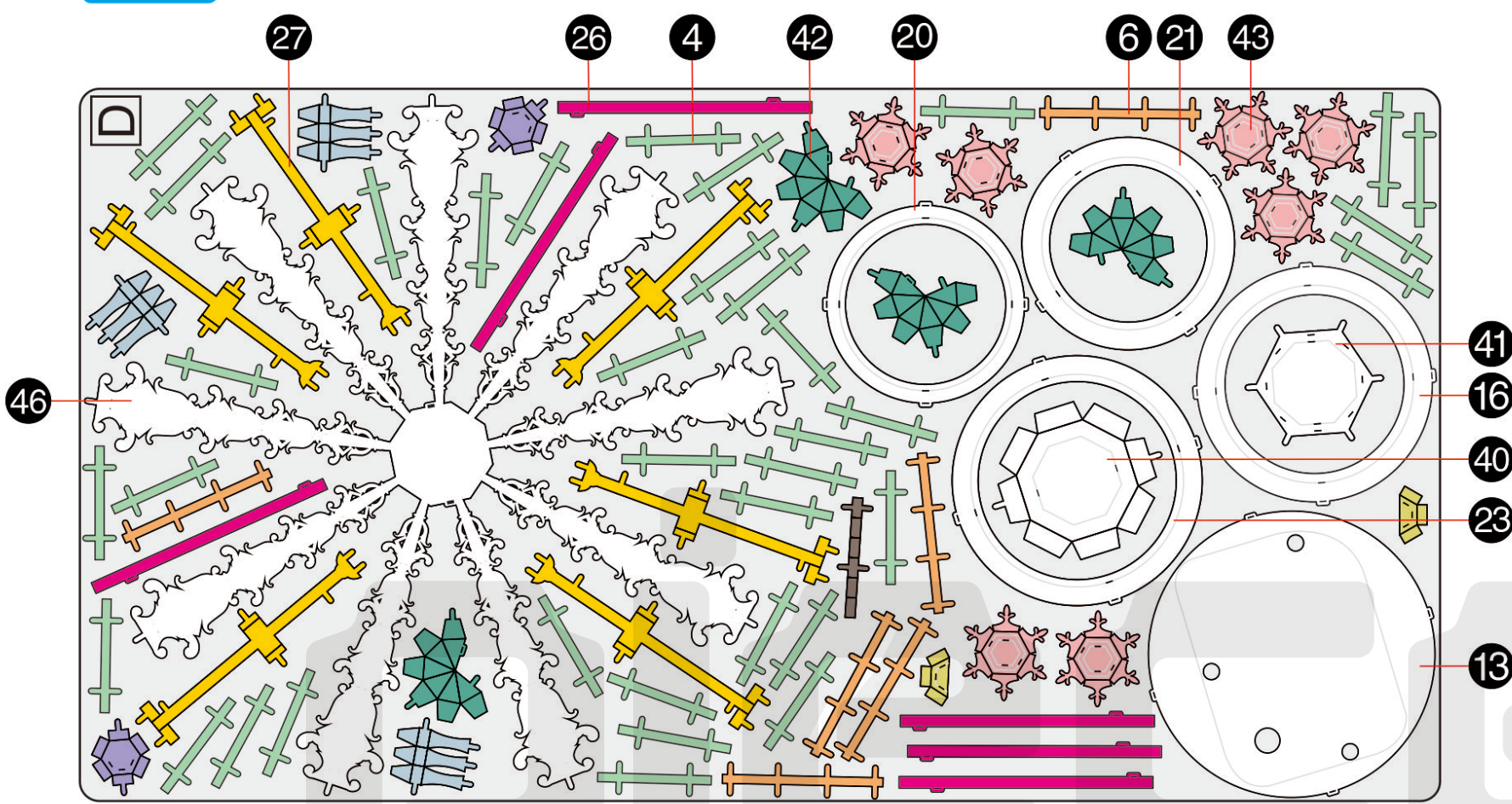
Metal Sheet

C



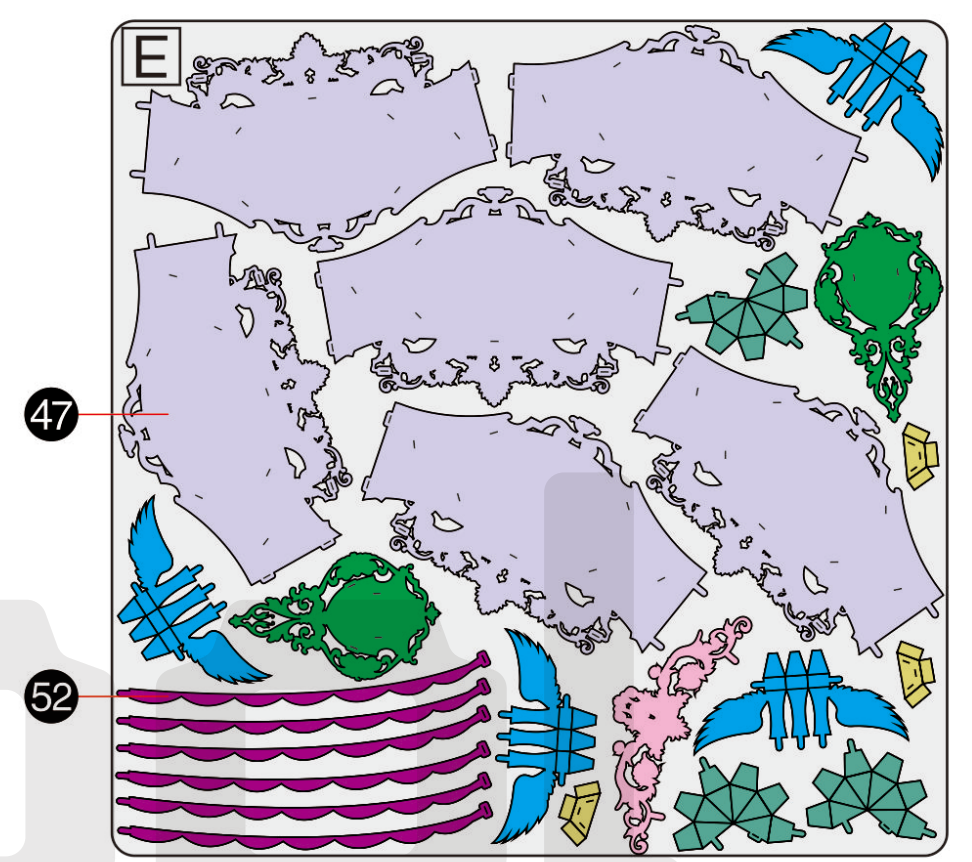
Metal Sheet

D



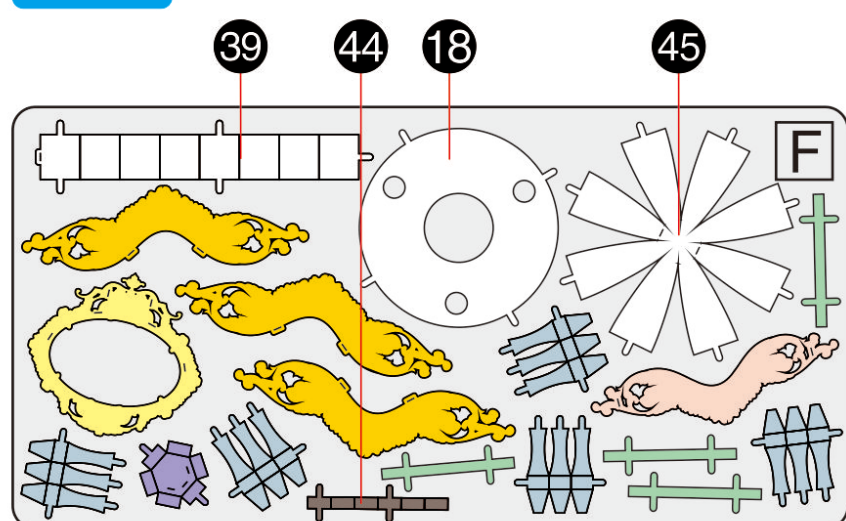
Metal Sheet

E

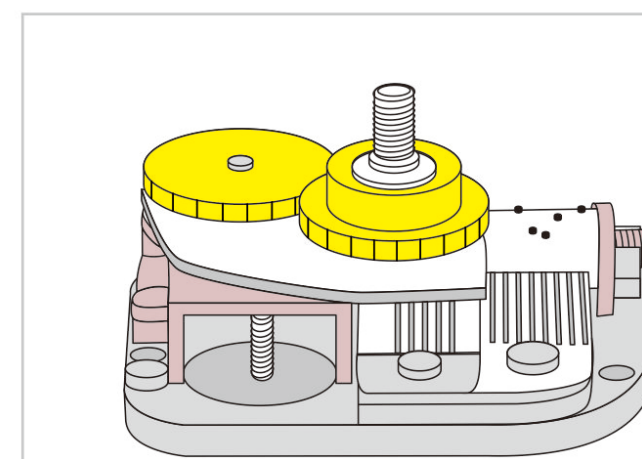


Metal Sheet

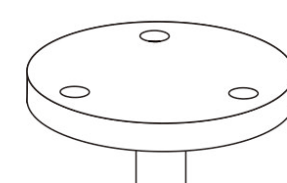
F



Accessories kit



Calibre × 1



Top × 1

Bolt × 6
Bolt nut × 3



Rotating part × 1