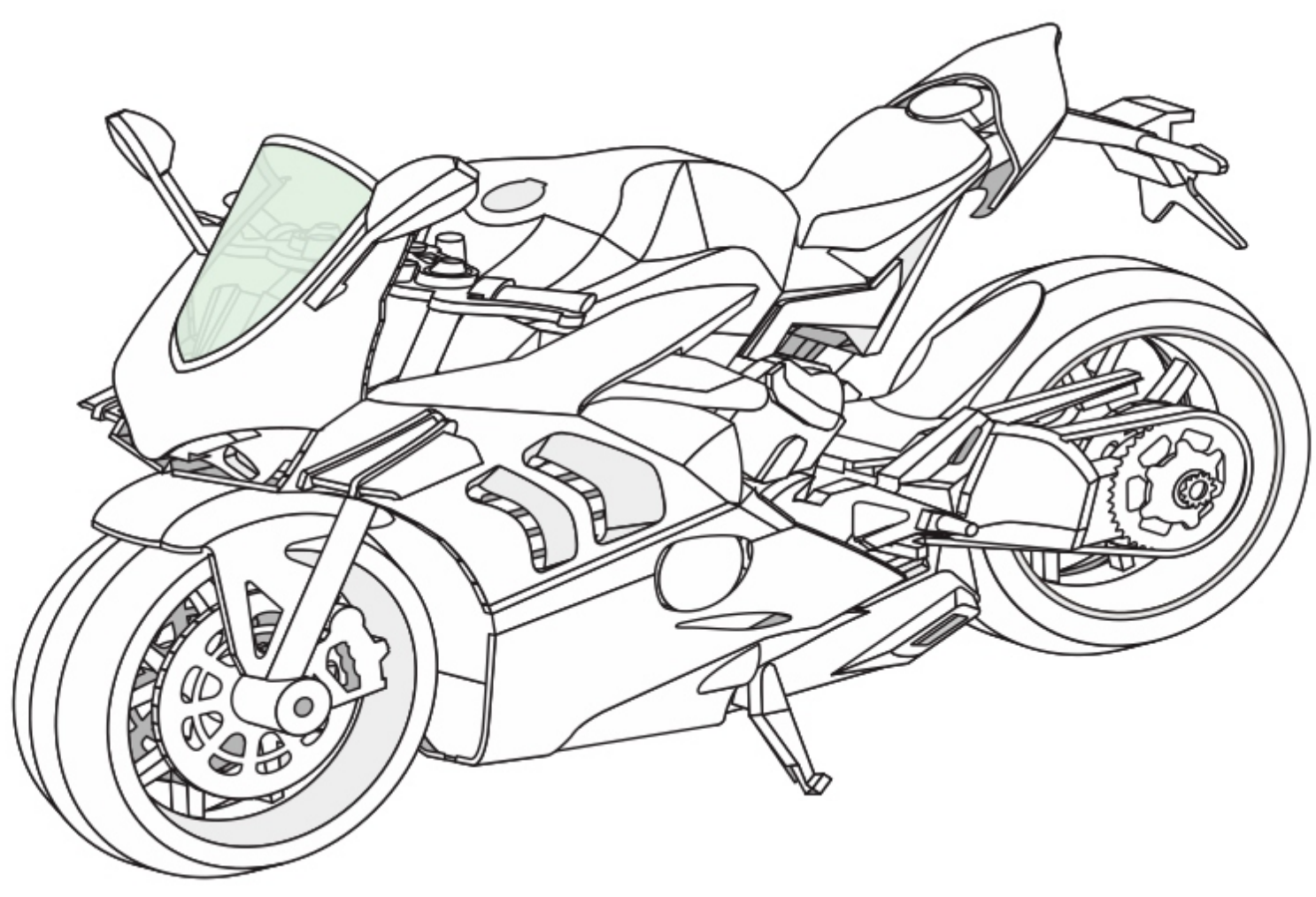


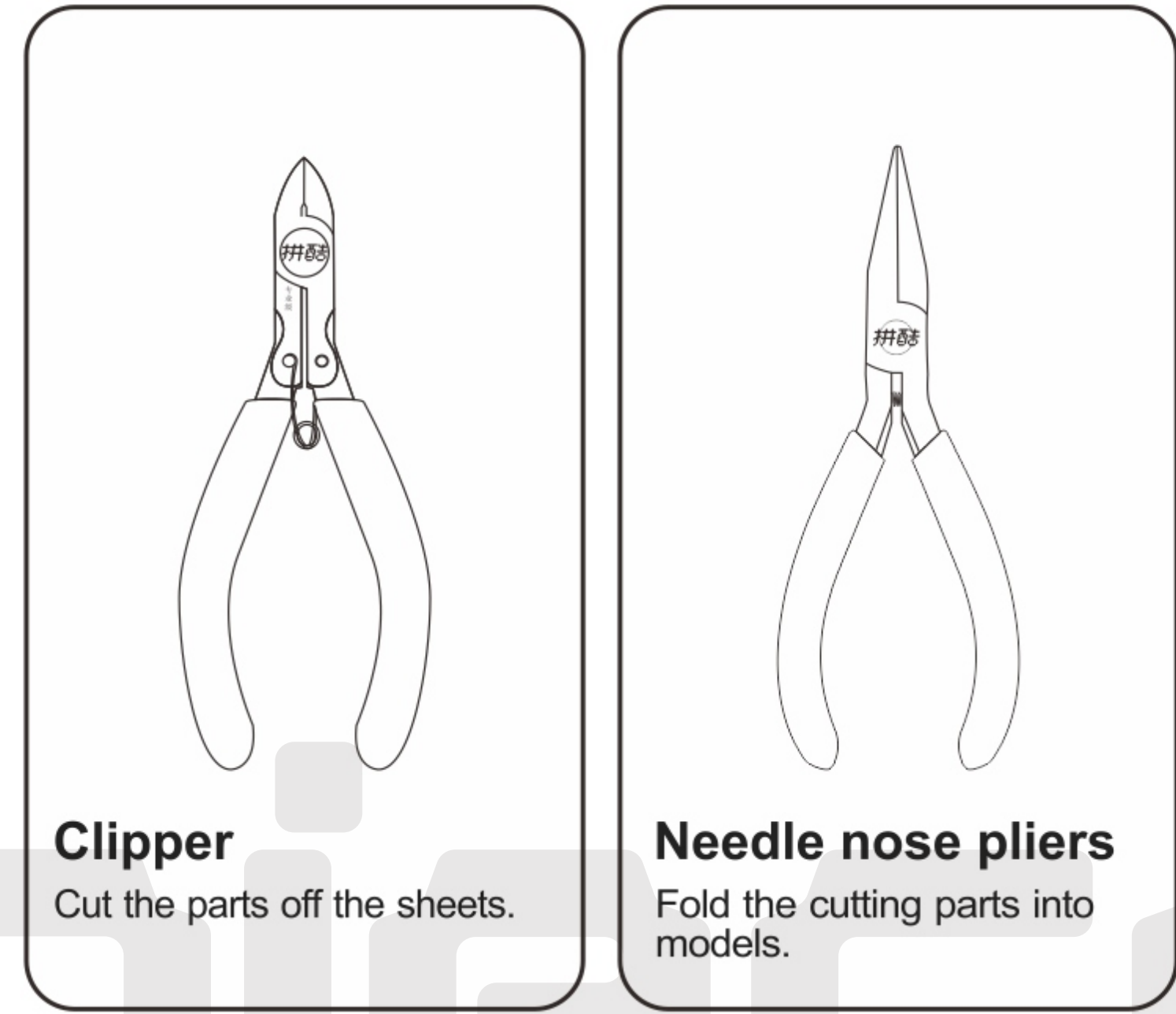
MOTORCYCLE III HP309



CP-ASSY-HP309#-A1-20230412

Installation Reminder

- Prepare tools:



Clipper

Cut the parts off the sheets.

Needle nose pliers

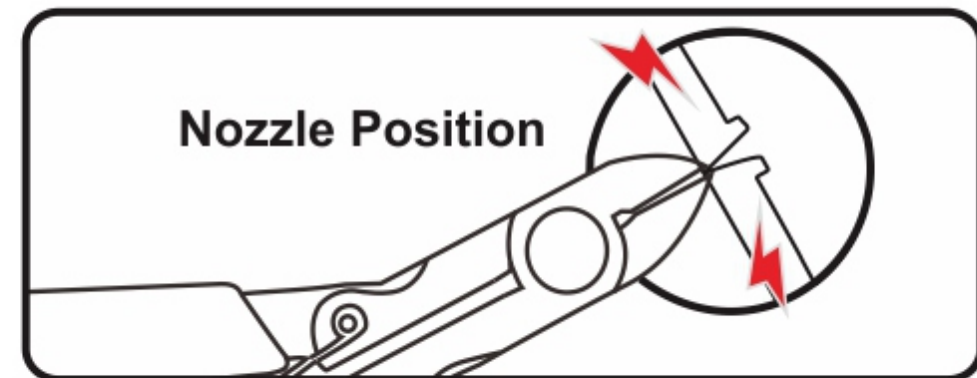
Fold the cutting parts into models.

It is recommended to use piececool authentic assembly tools to build or fix the design. It is tailor made for the metal pieces and user friendly.

WARNING – Please handle metal sheets with care. The parts may have sharp edges that could cut or scratch skin. Keep away from children.

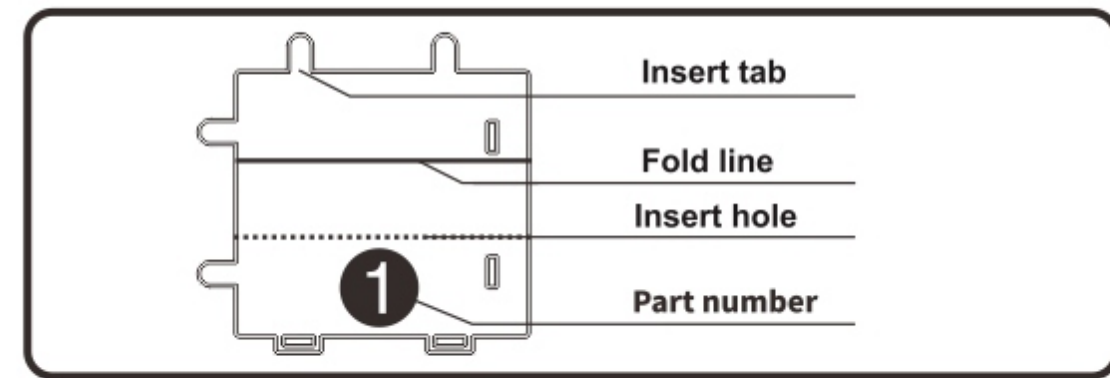
• Installation Method:

a. Remove the parts



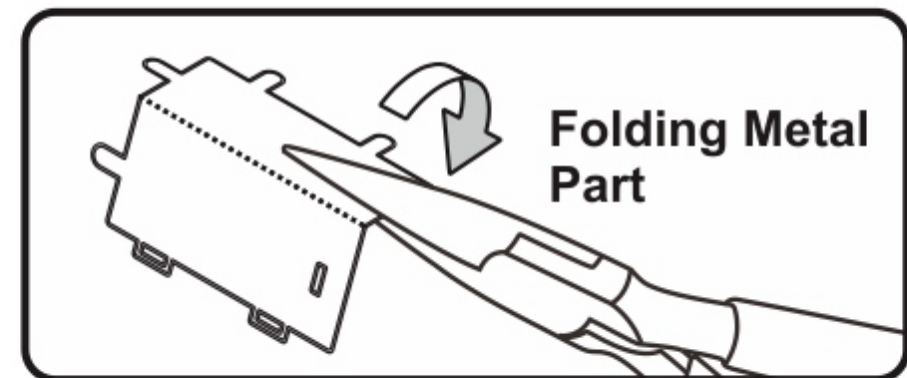
Please use the clipper to cut the nozzle position and remove the parts.

b. Identify the parts



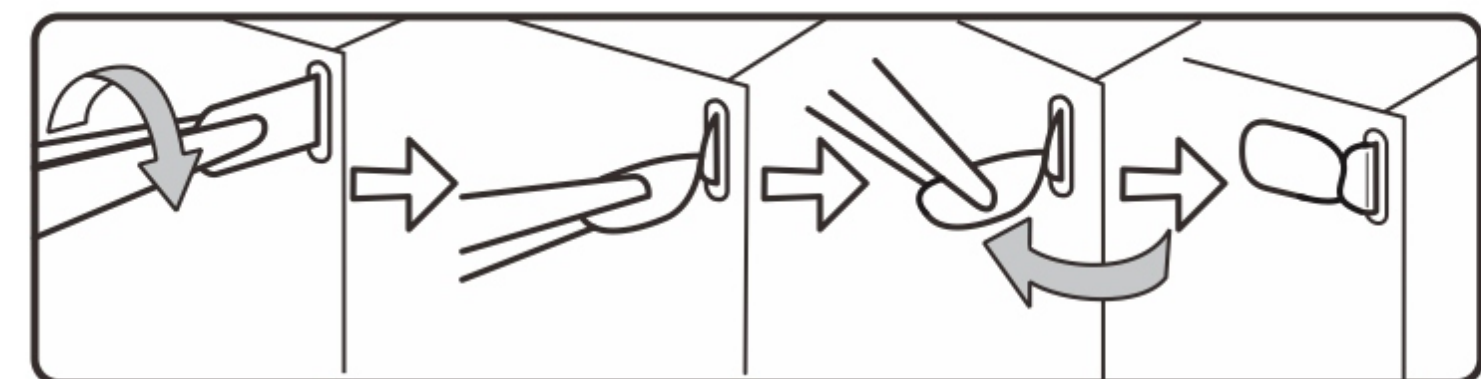
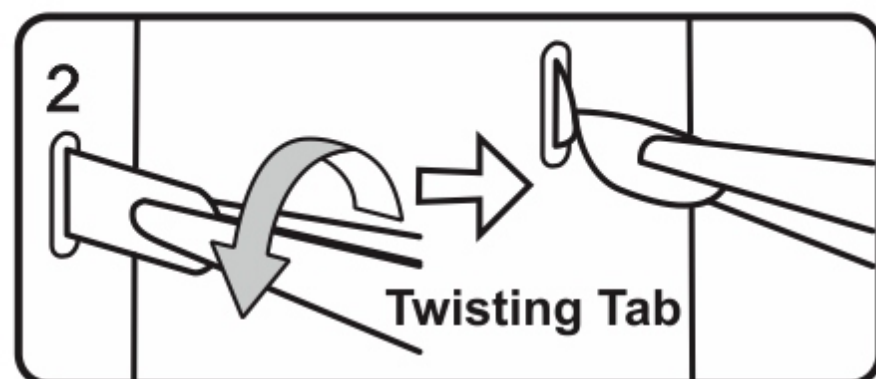
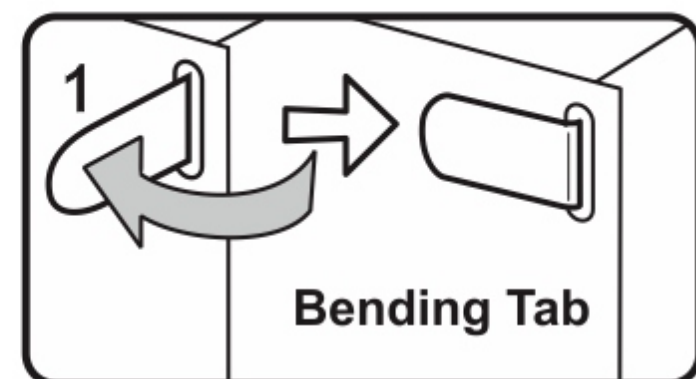
The part number is engraved on the back of the metal sheet. Please identify the insert tab, fold line, insert hole and part number on the metal component.

c. Folding the parts



Please use the needle nose pliers to fold the cutting parts into models.

d. Retaining the parts



- Insert the hole, bending tab with angle 90°
- ▲ Insert the hole, twisting tab with angle 90°
- Twist the tab and then flatten

• Attention:

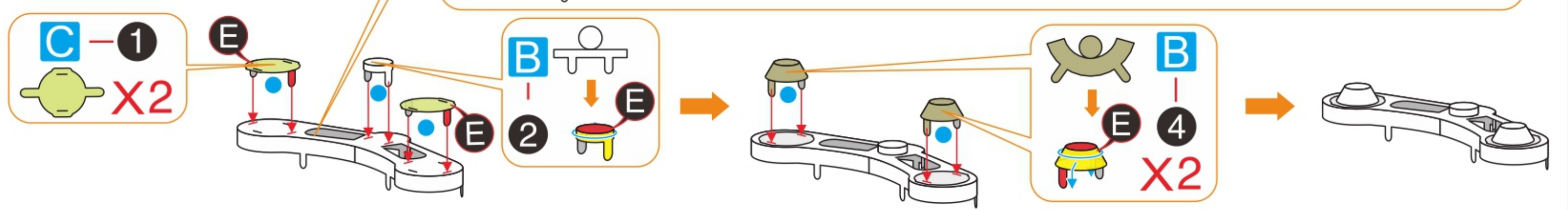
- Ⓔ Engraved / Color side
- Ⓗ Non-engraved / Silver side
- Ⓕ Front part Ⓖ Back part
- ⚠ Attention Point
- Ⓜ Keep the parts symmetrical
- Ⓝ Note that the colour and texture are not on the same side

When cutting metal parts, please do not cut the "insert tab" as "nozzle position". Only cut the parts of the current step when cutting the parts. Do not cut all the parts at one time to avoid loss.

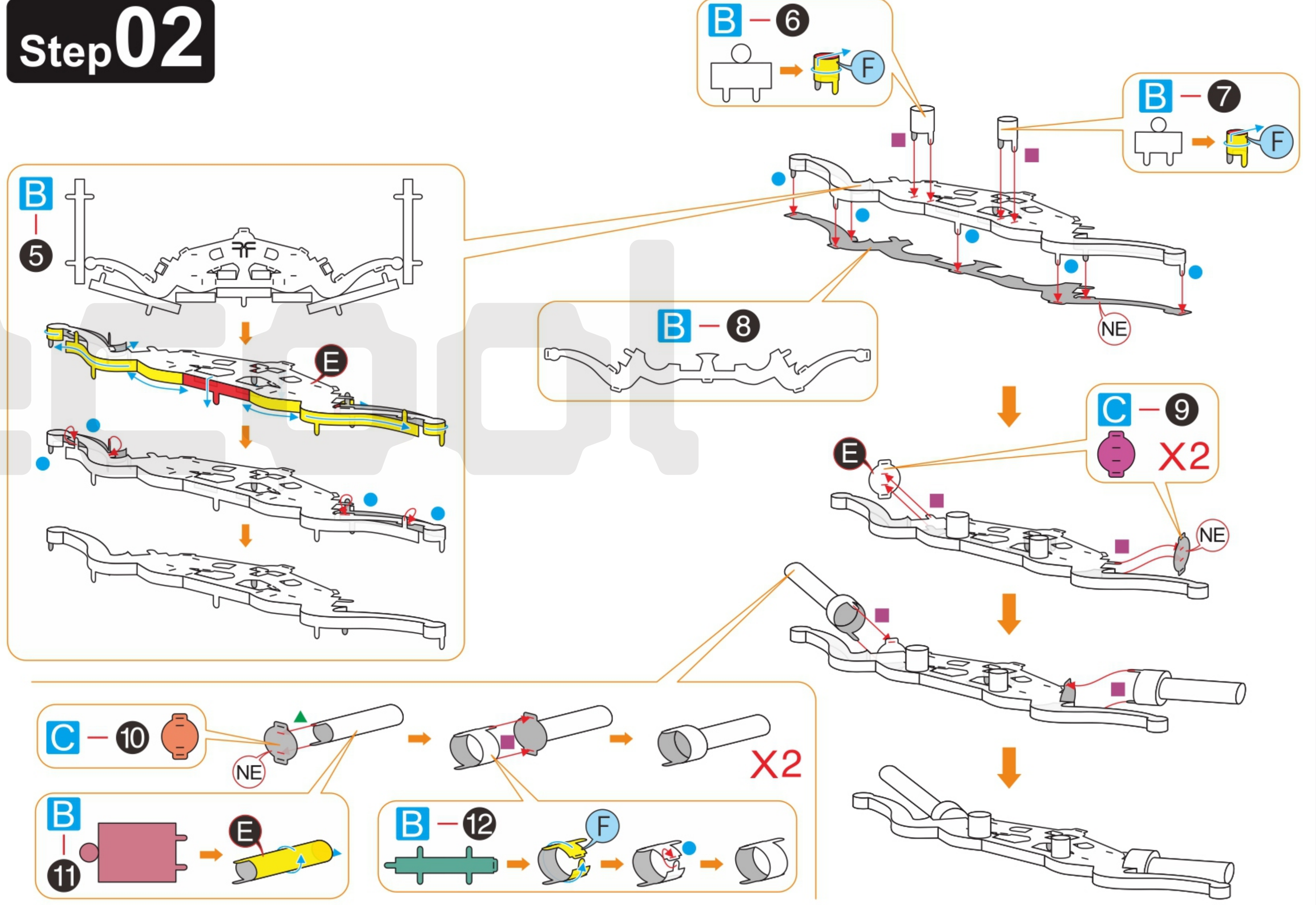
When encountering the parts of the folding line, please pay attention to the front and back of the metal sheet and the direction of the folding. According to the direction indicated in the instruction, cut lightly and fold slowly. It is best to fold it once. Do not fold it repeatedly to avoid damage to the parts.

Assembly Guide

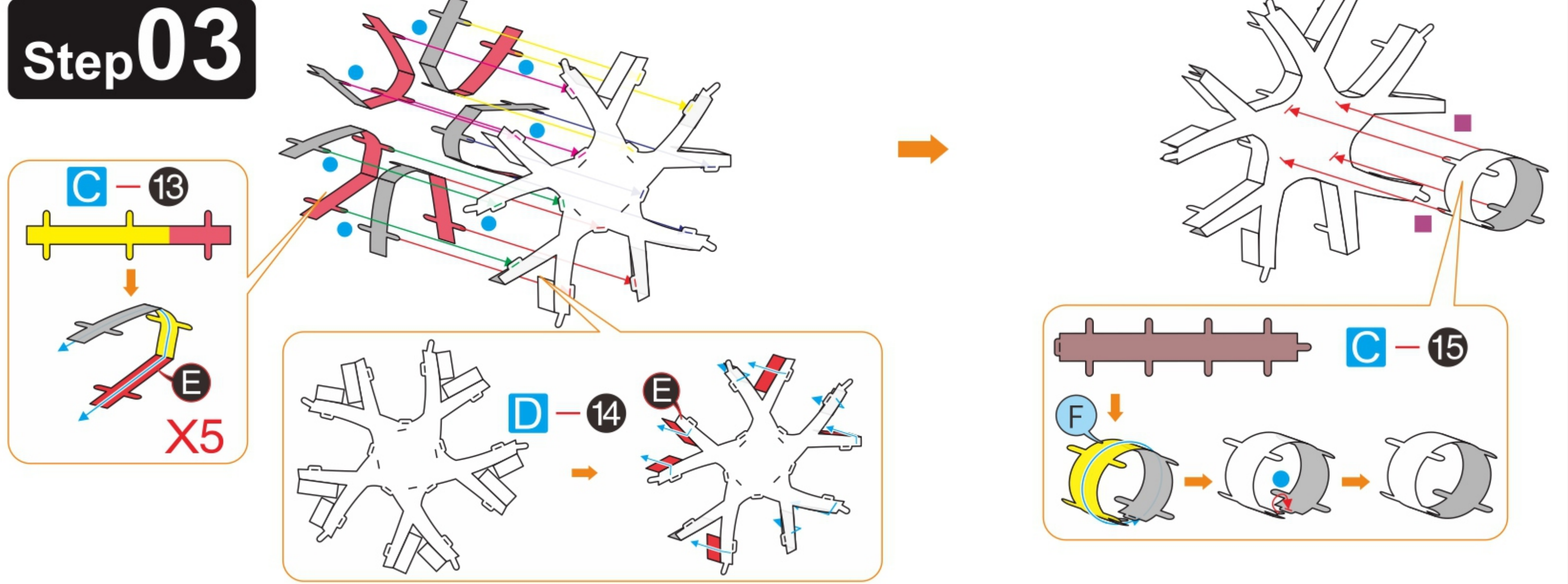
Step 01



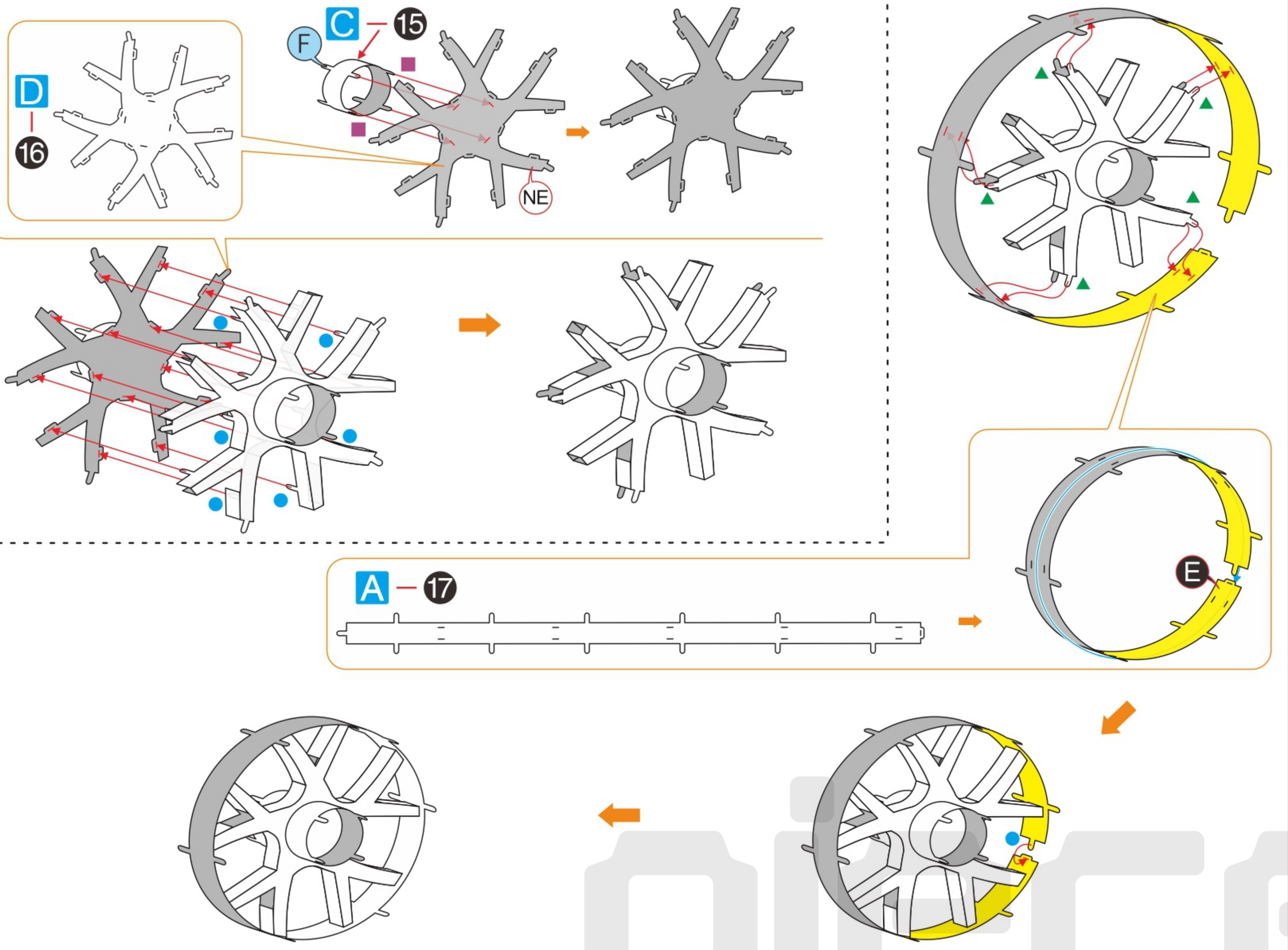
Step 02



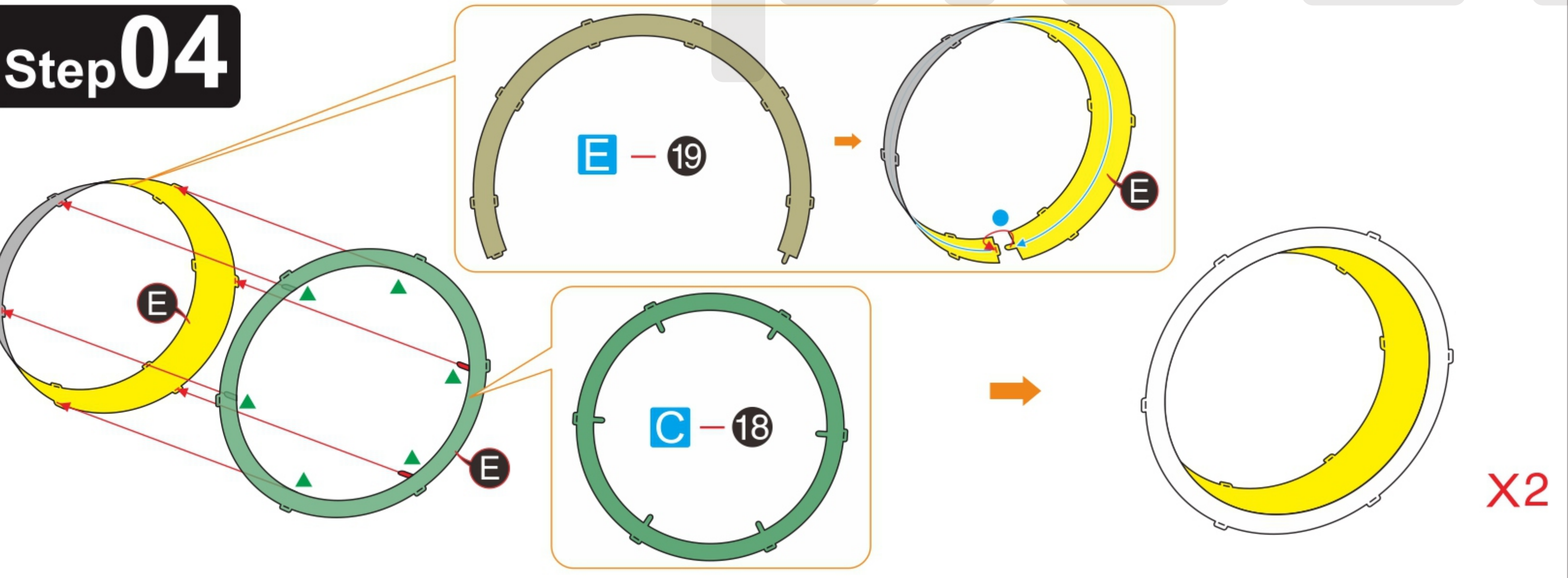
Step 03



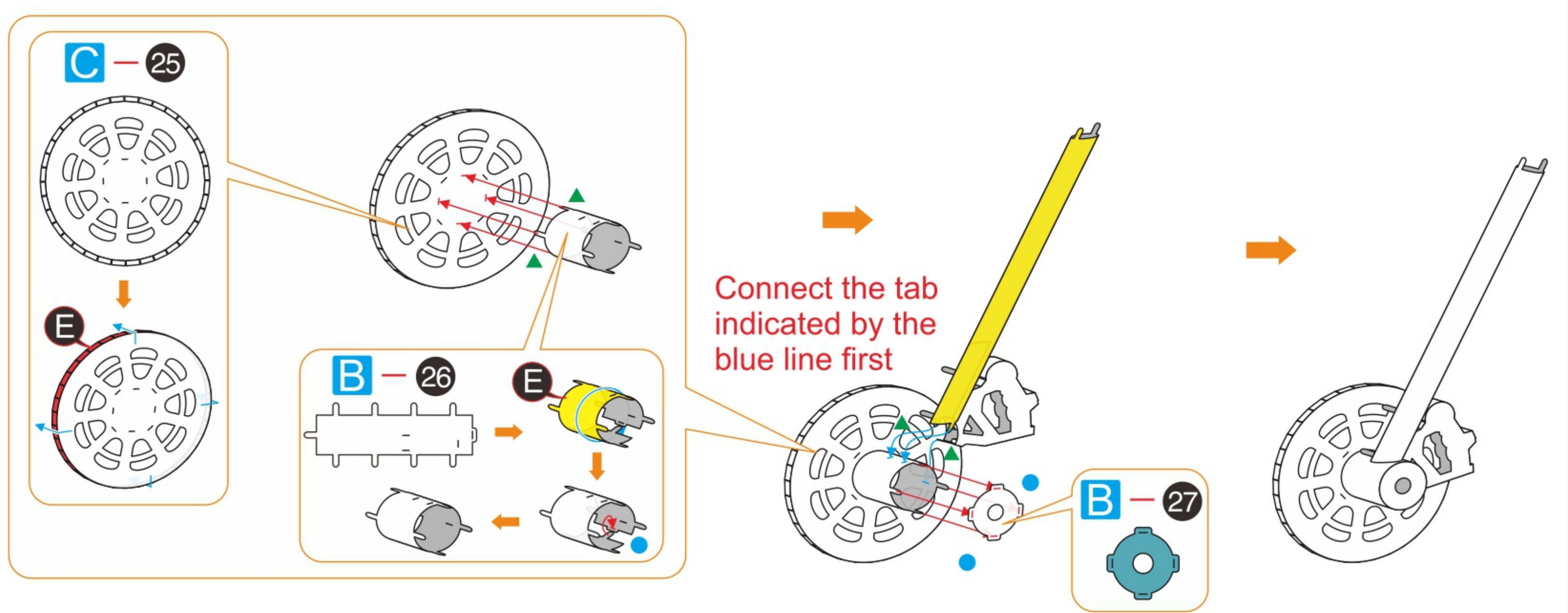
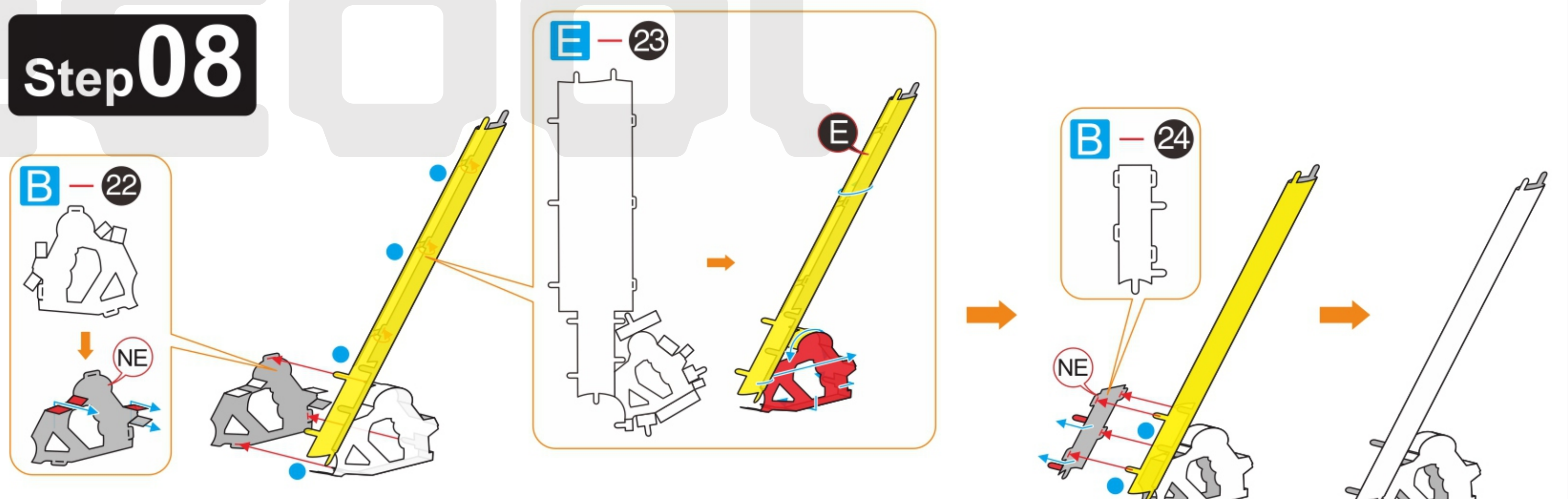
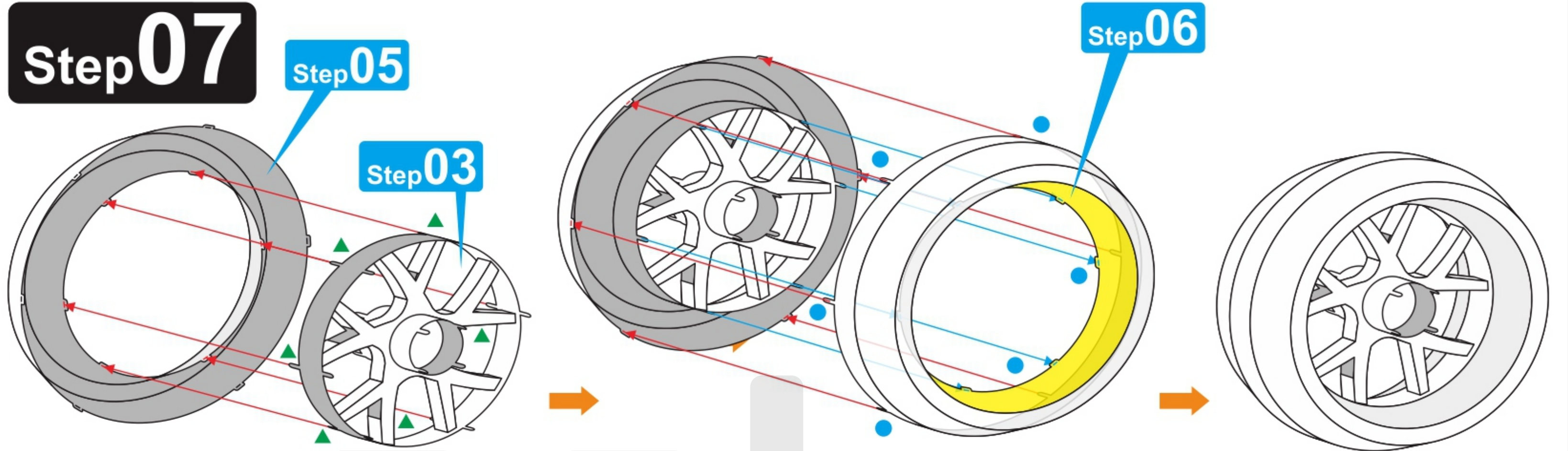
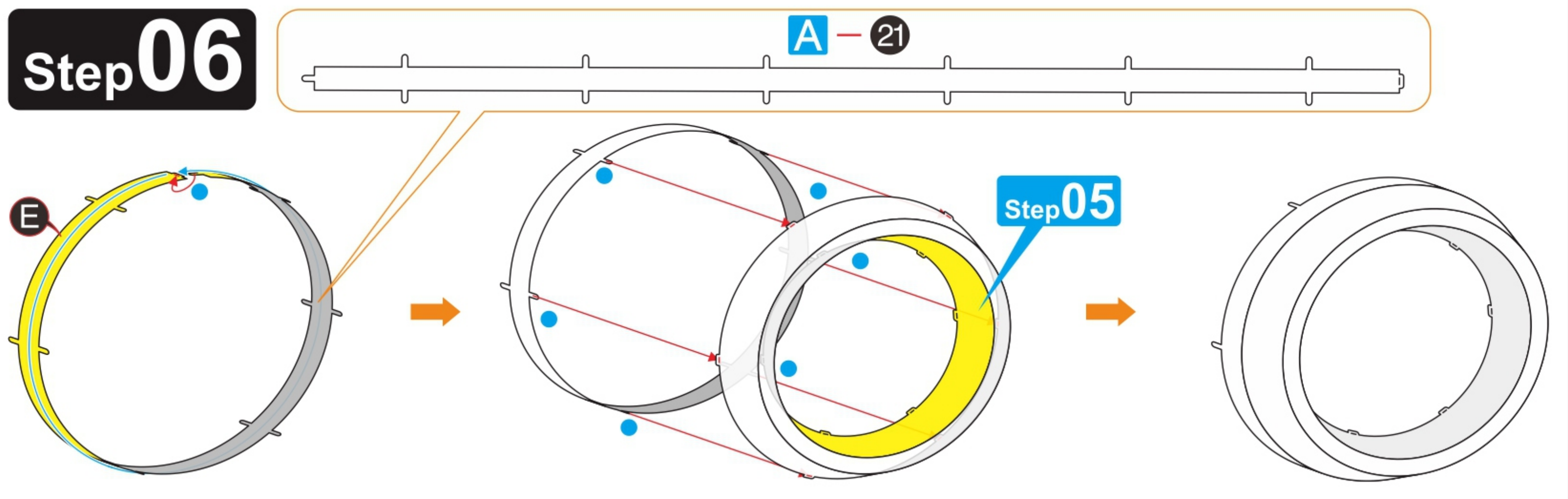
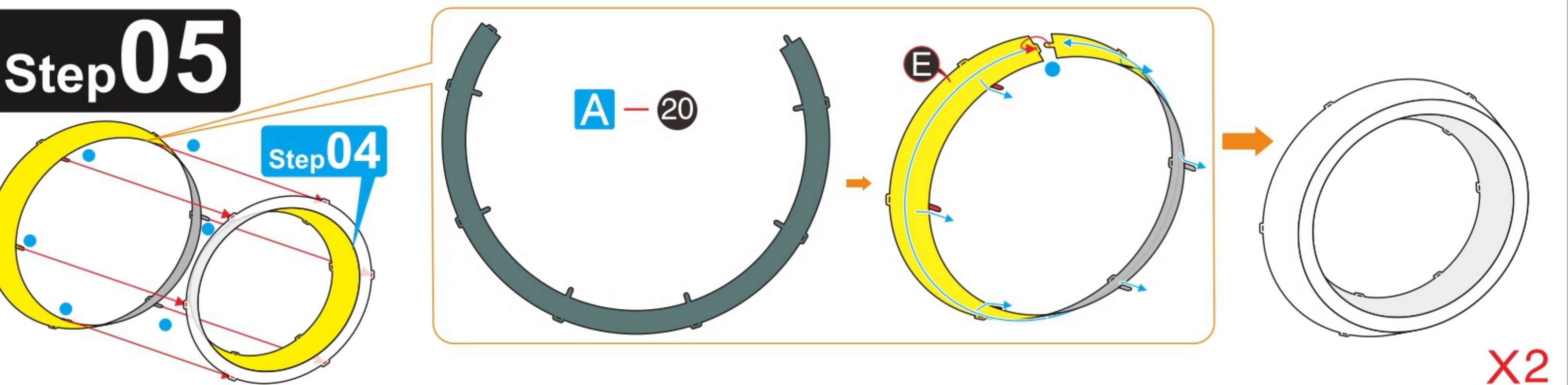
1 2
3 4

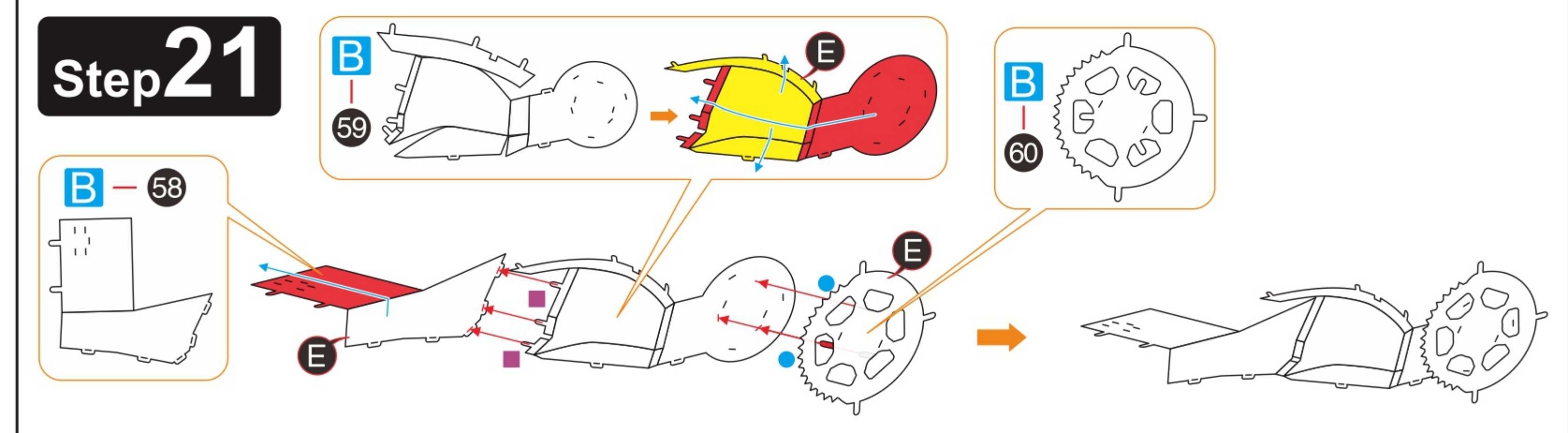
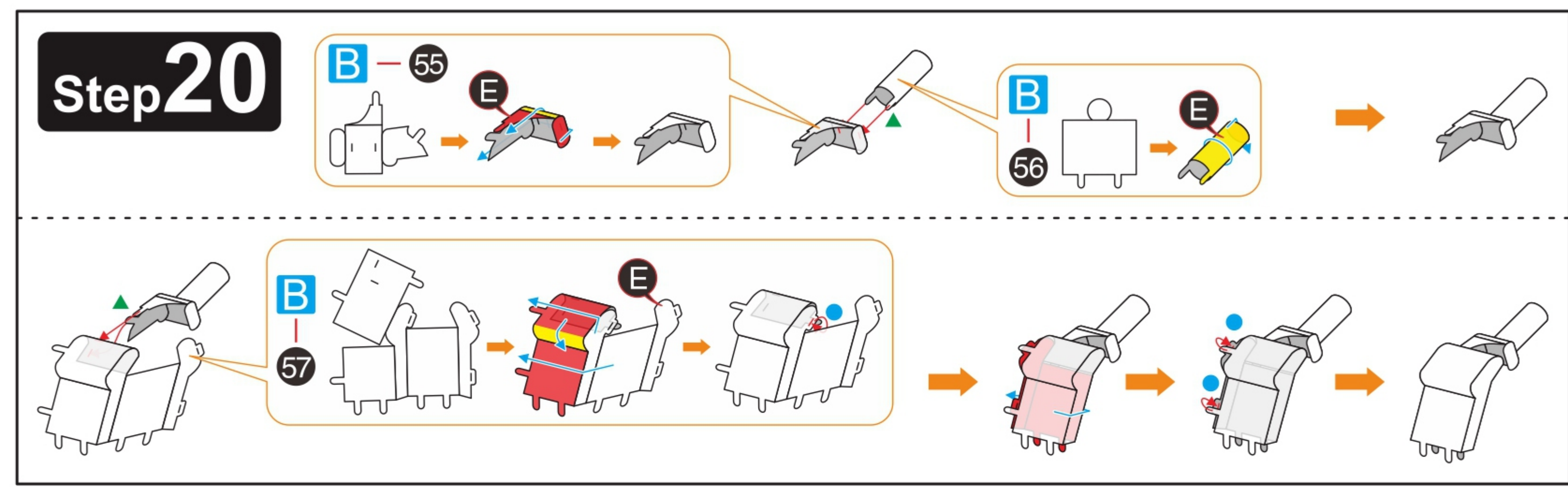
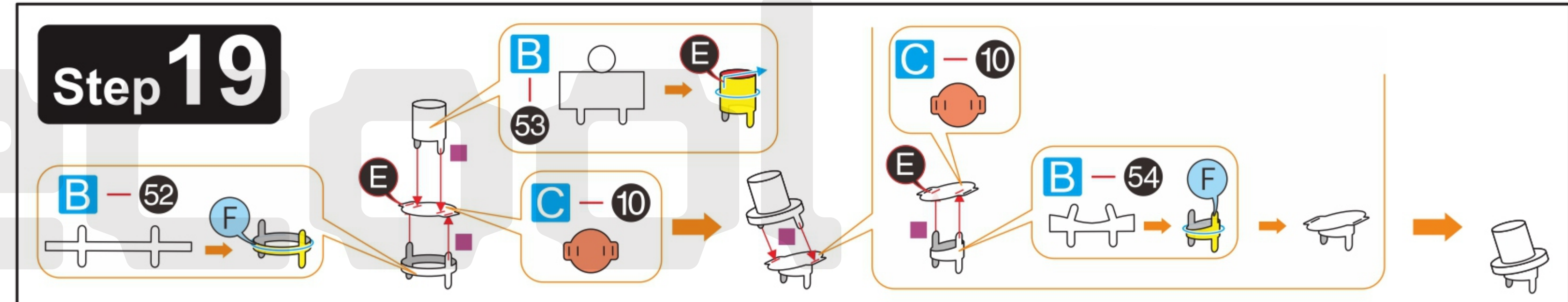
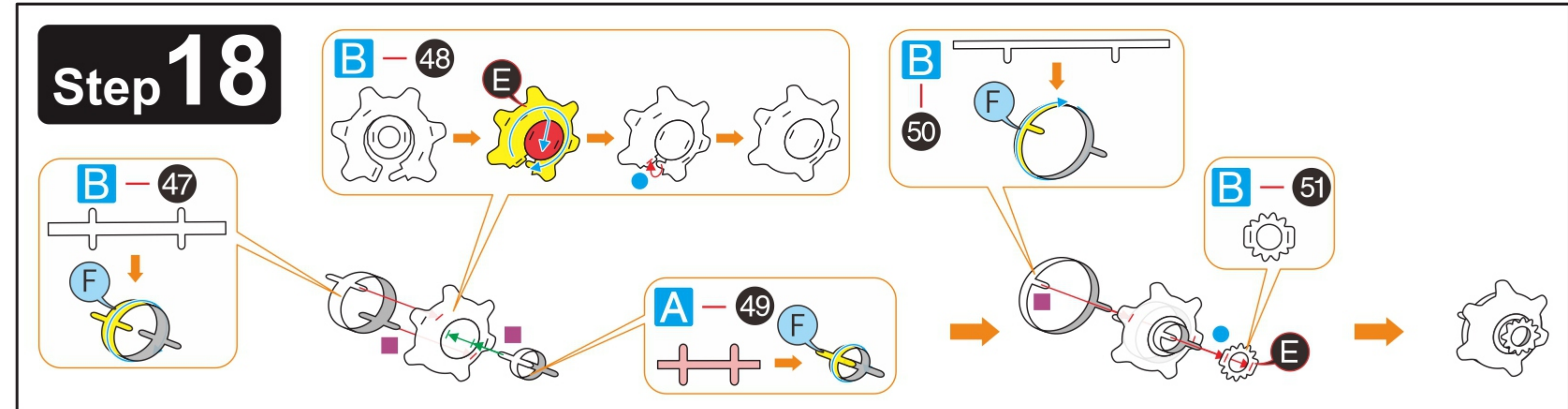
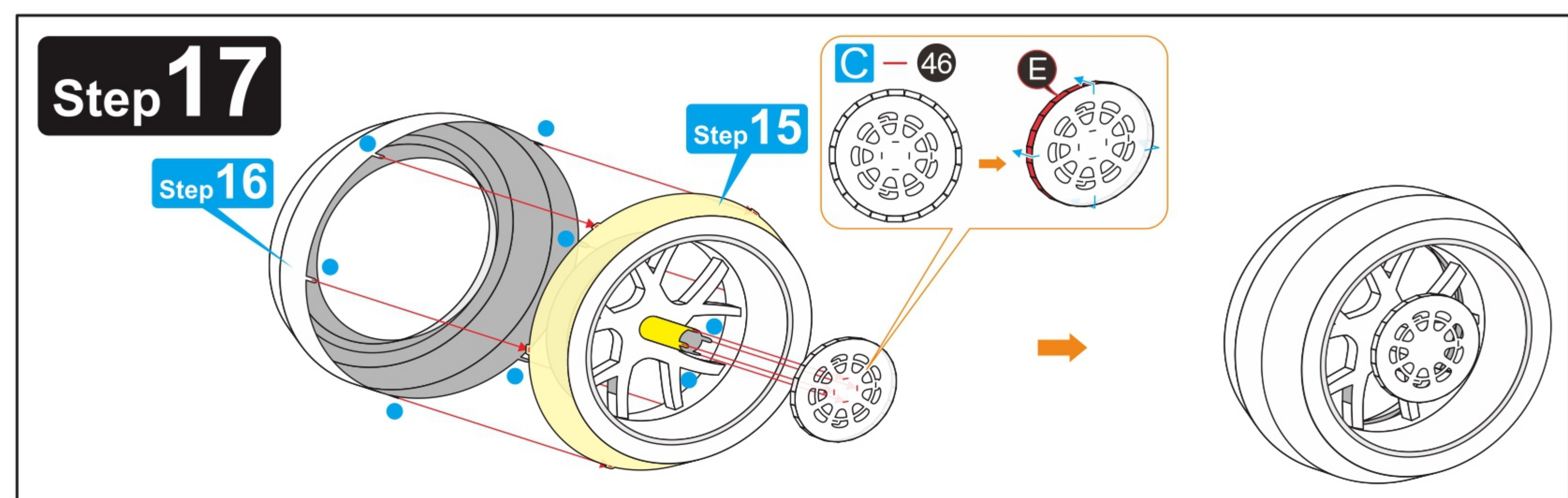
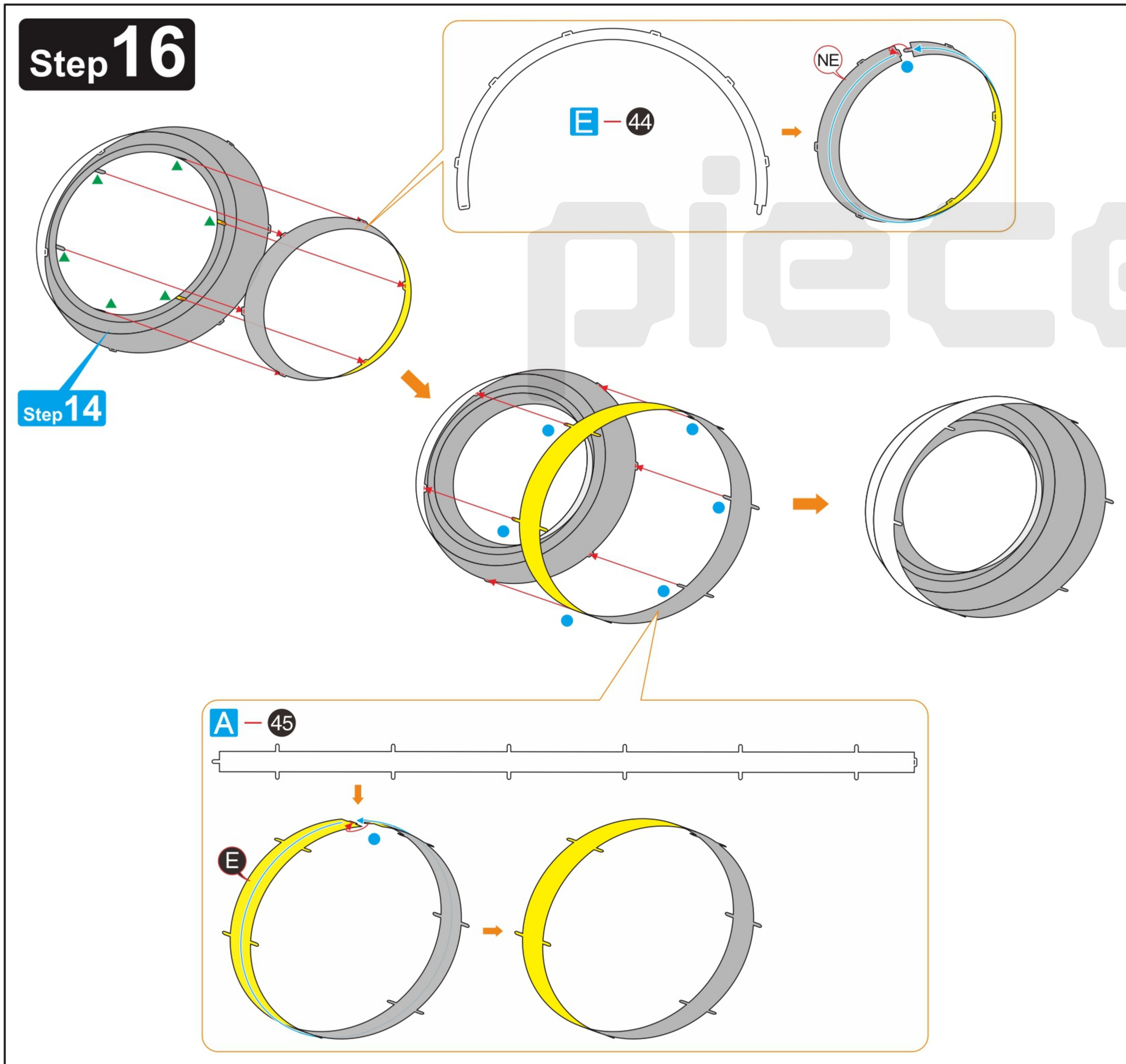
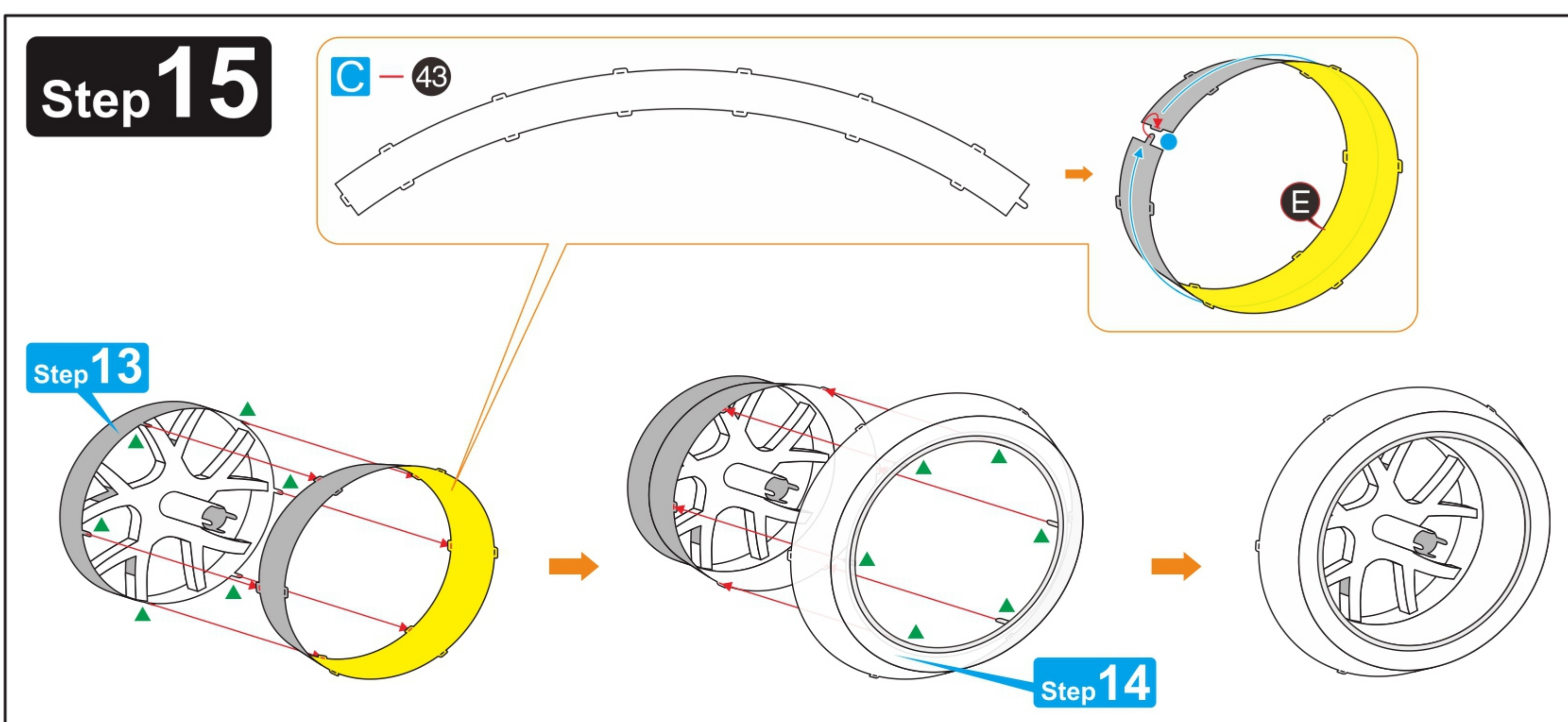
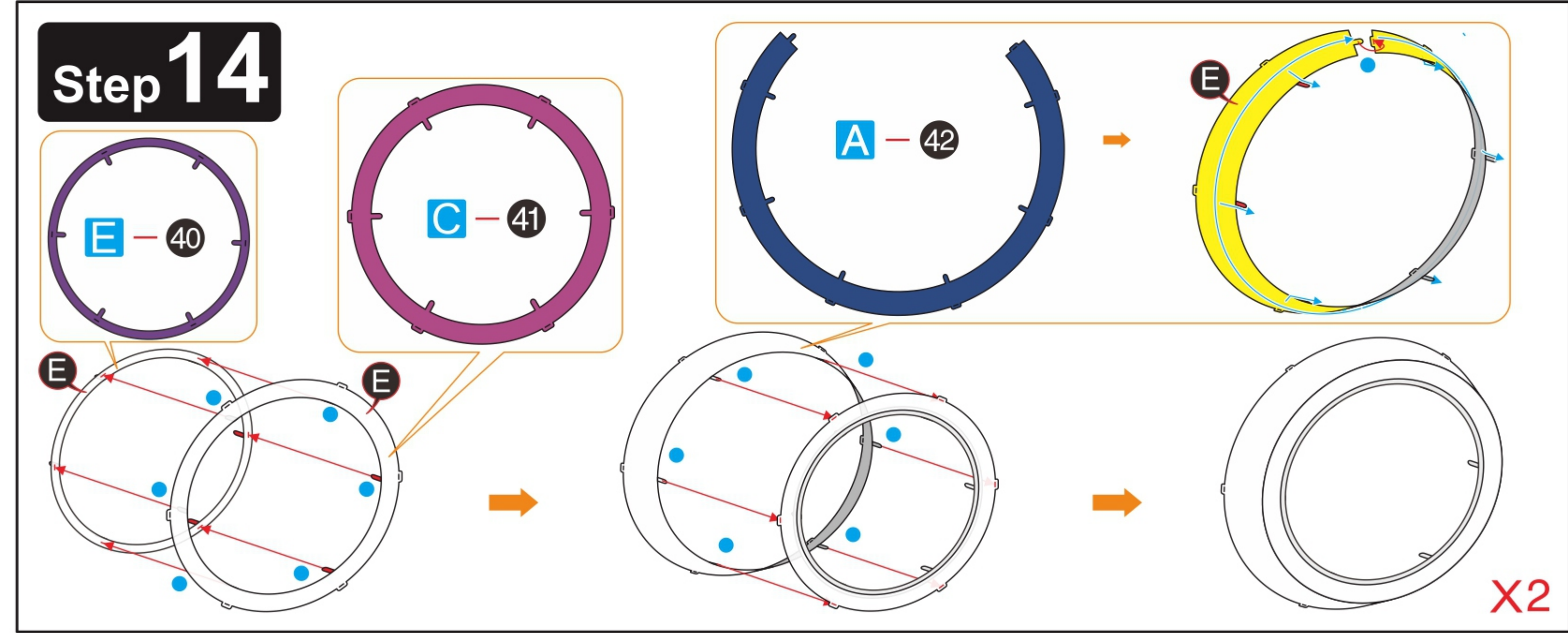
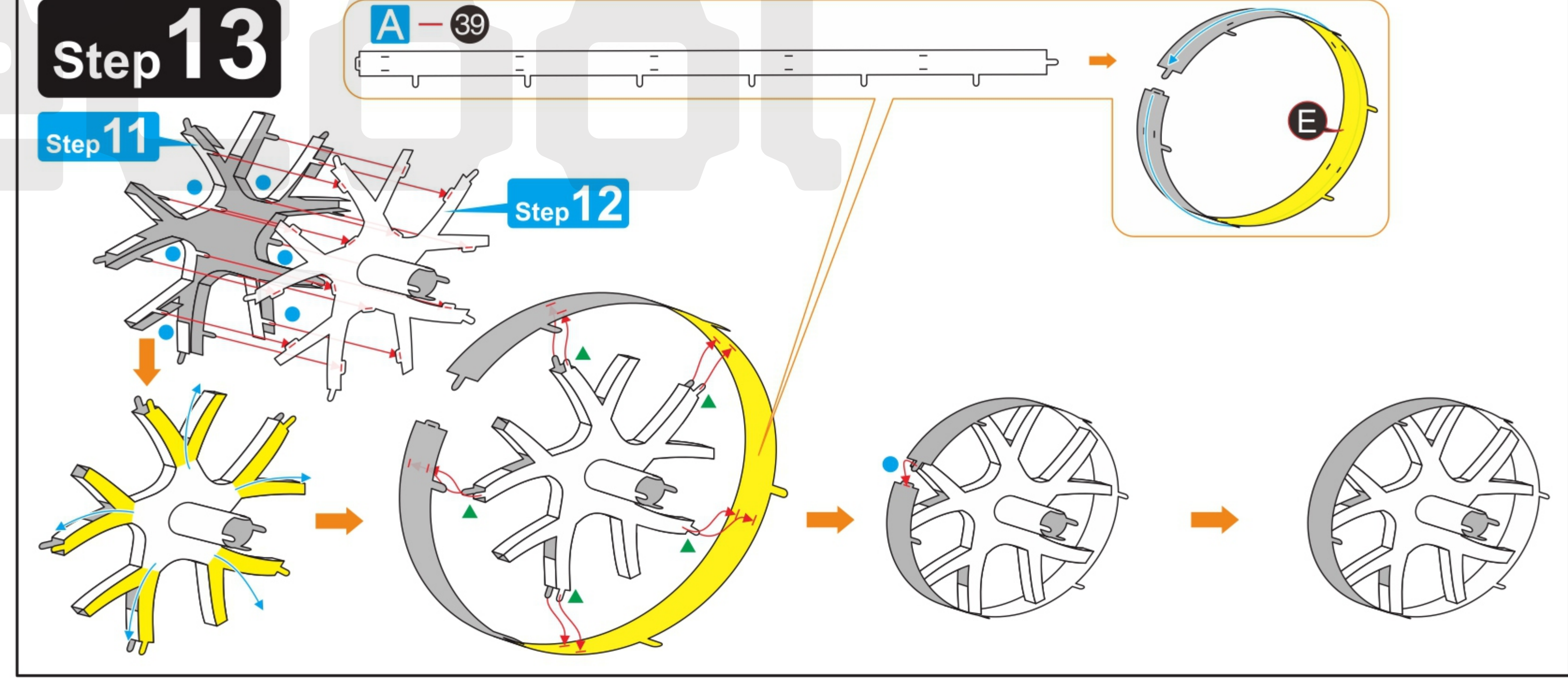
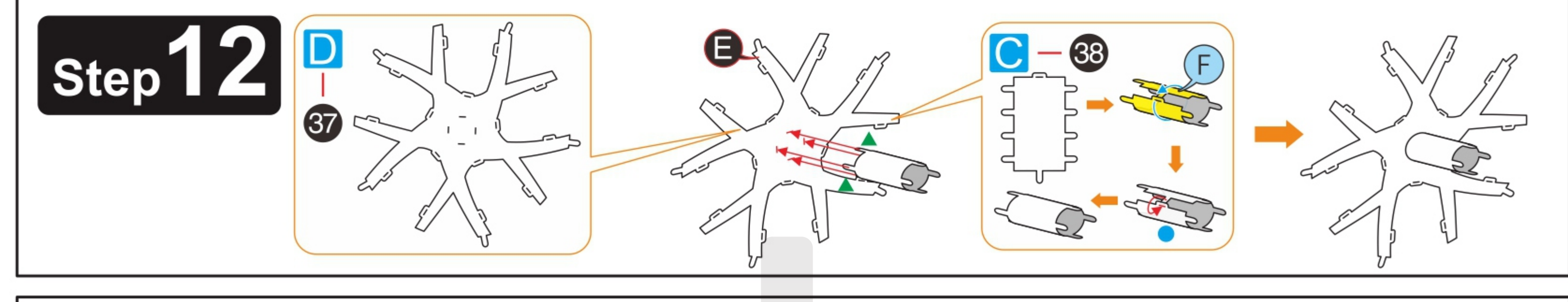
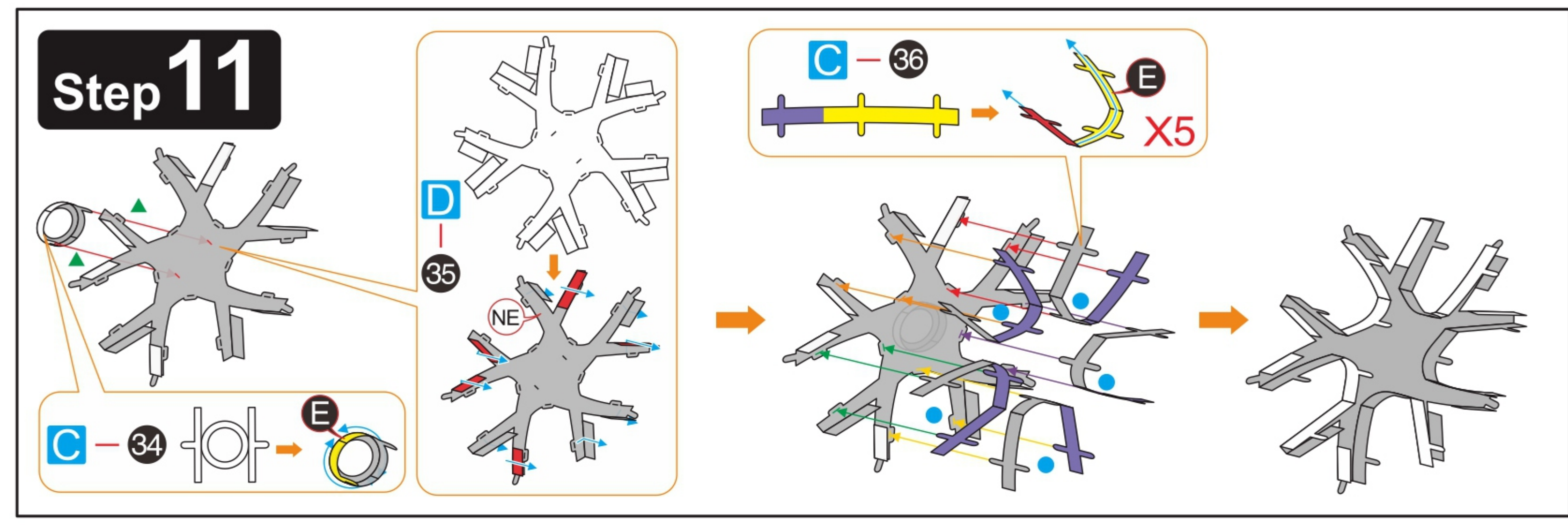
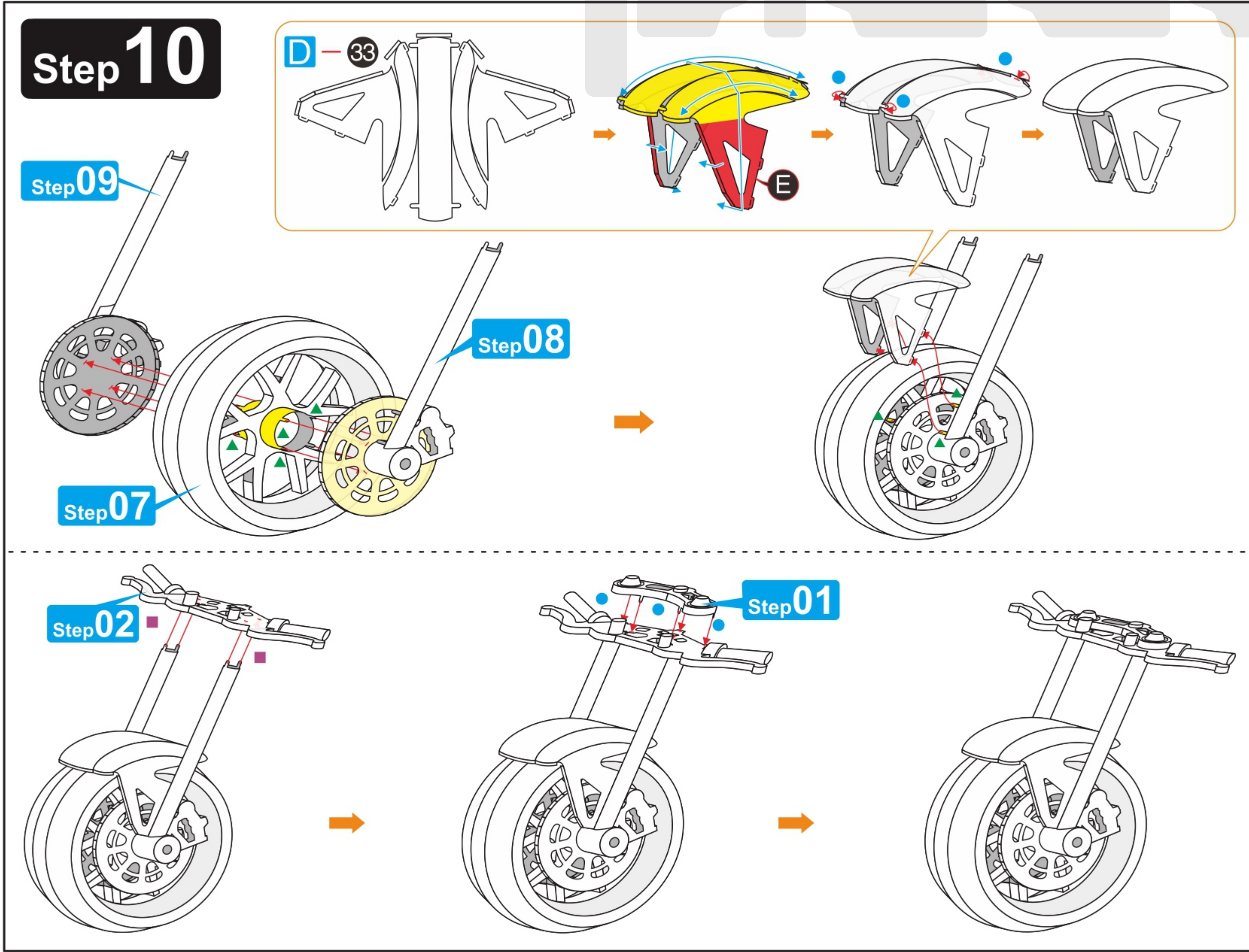
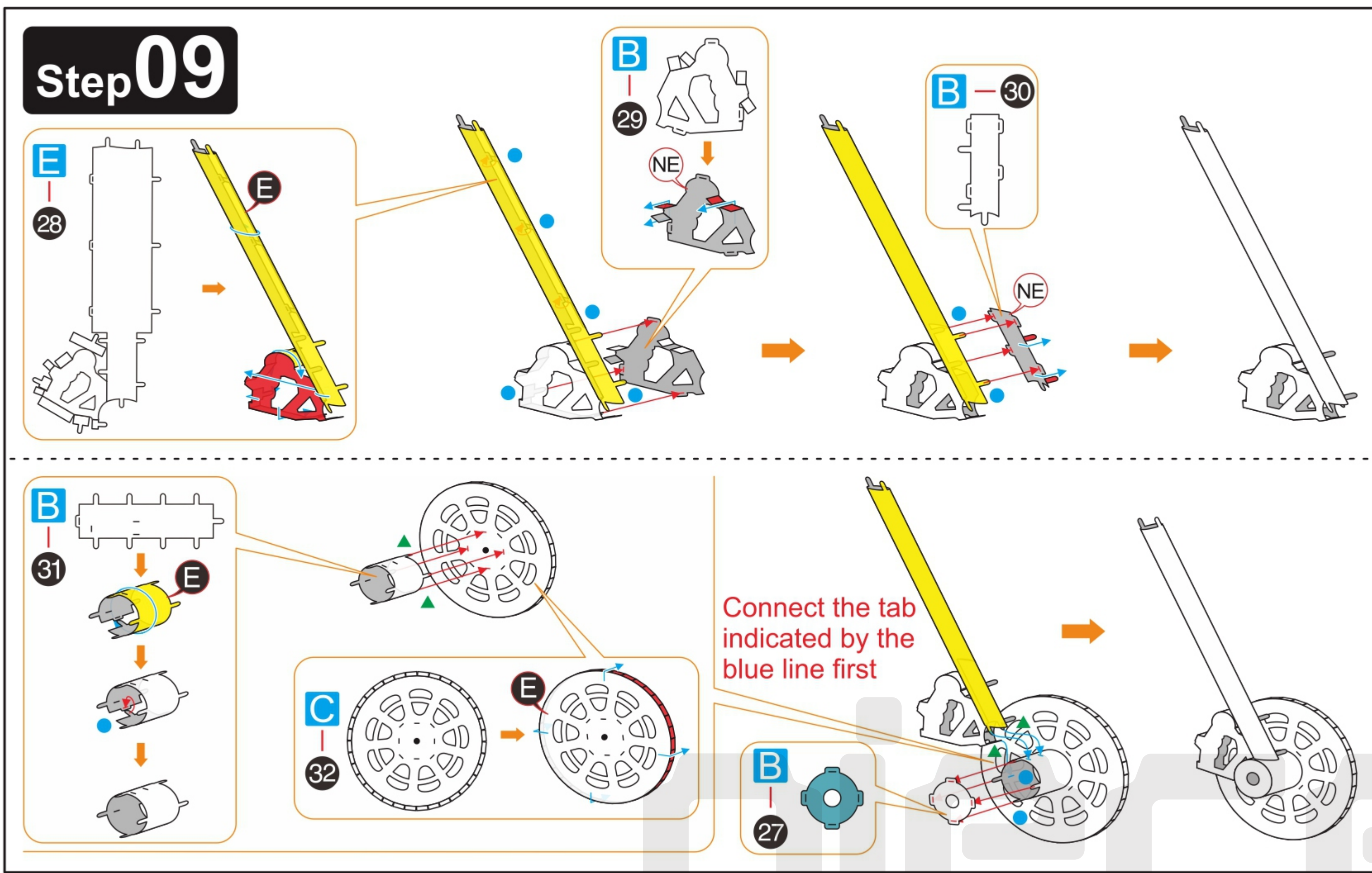


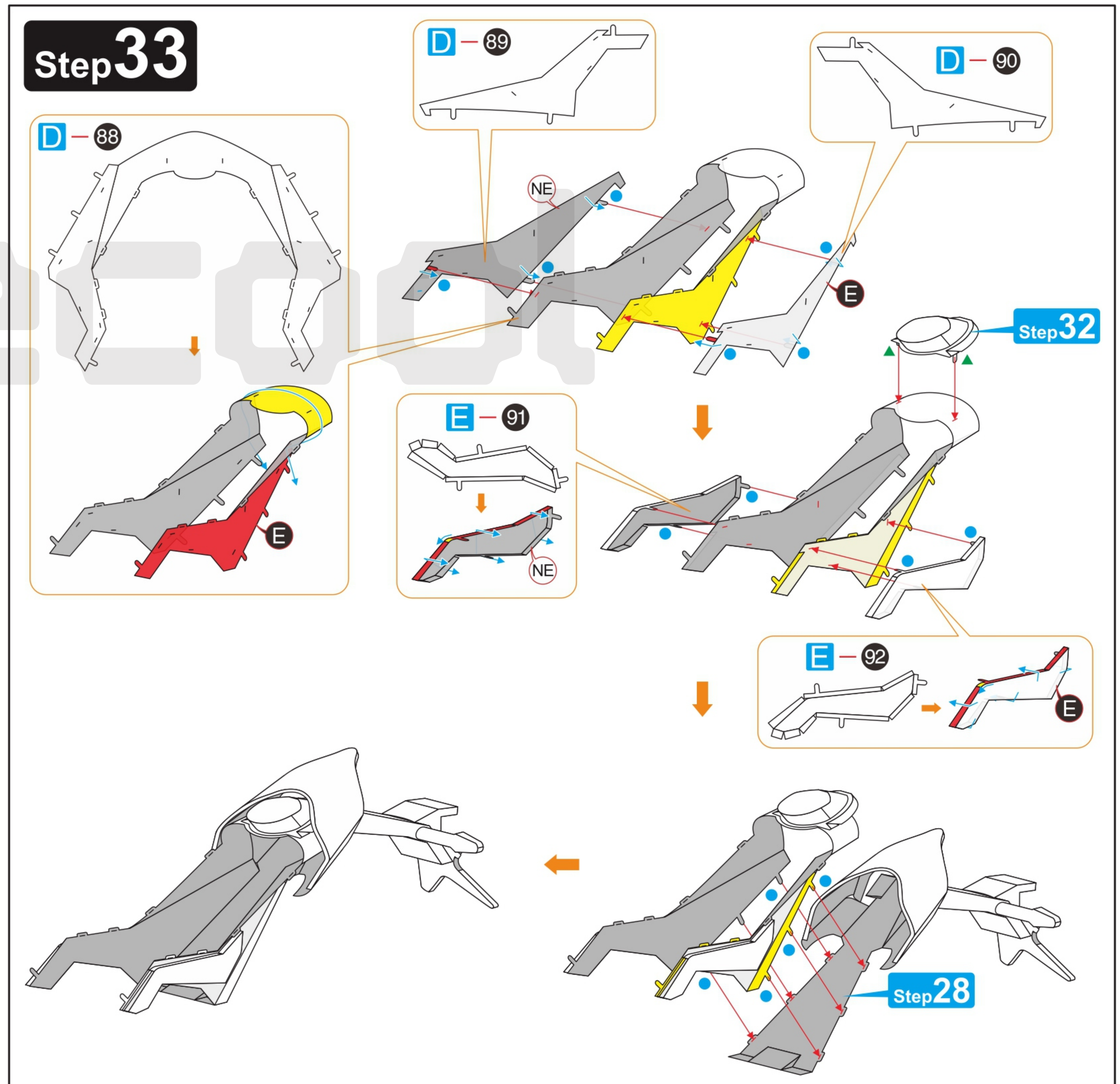
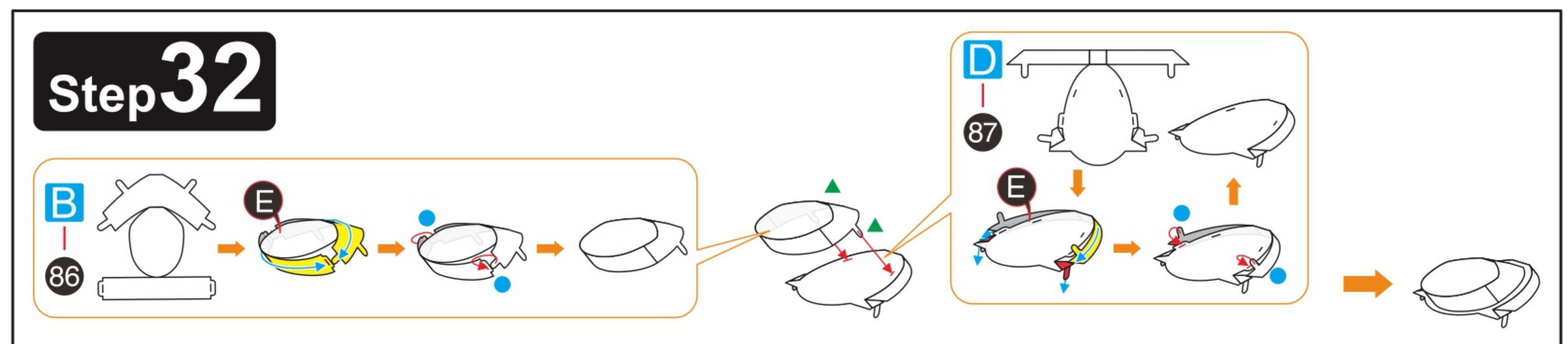
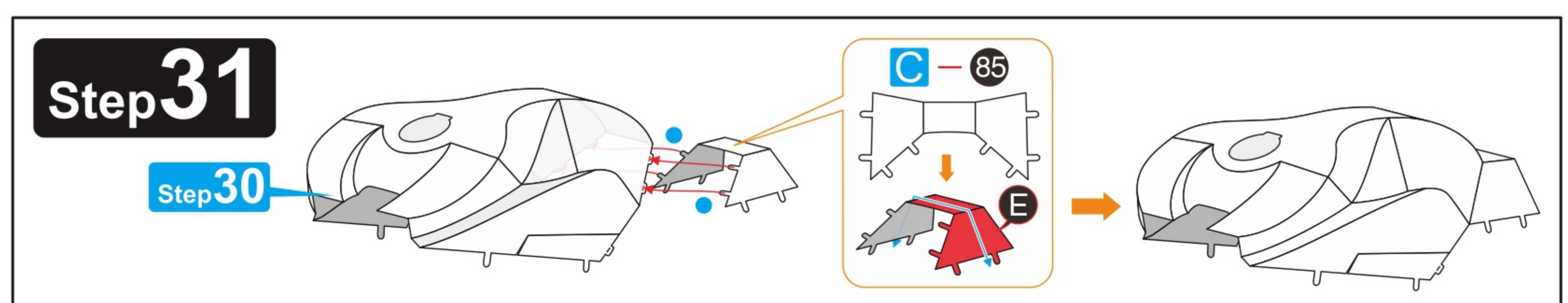
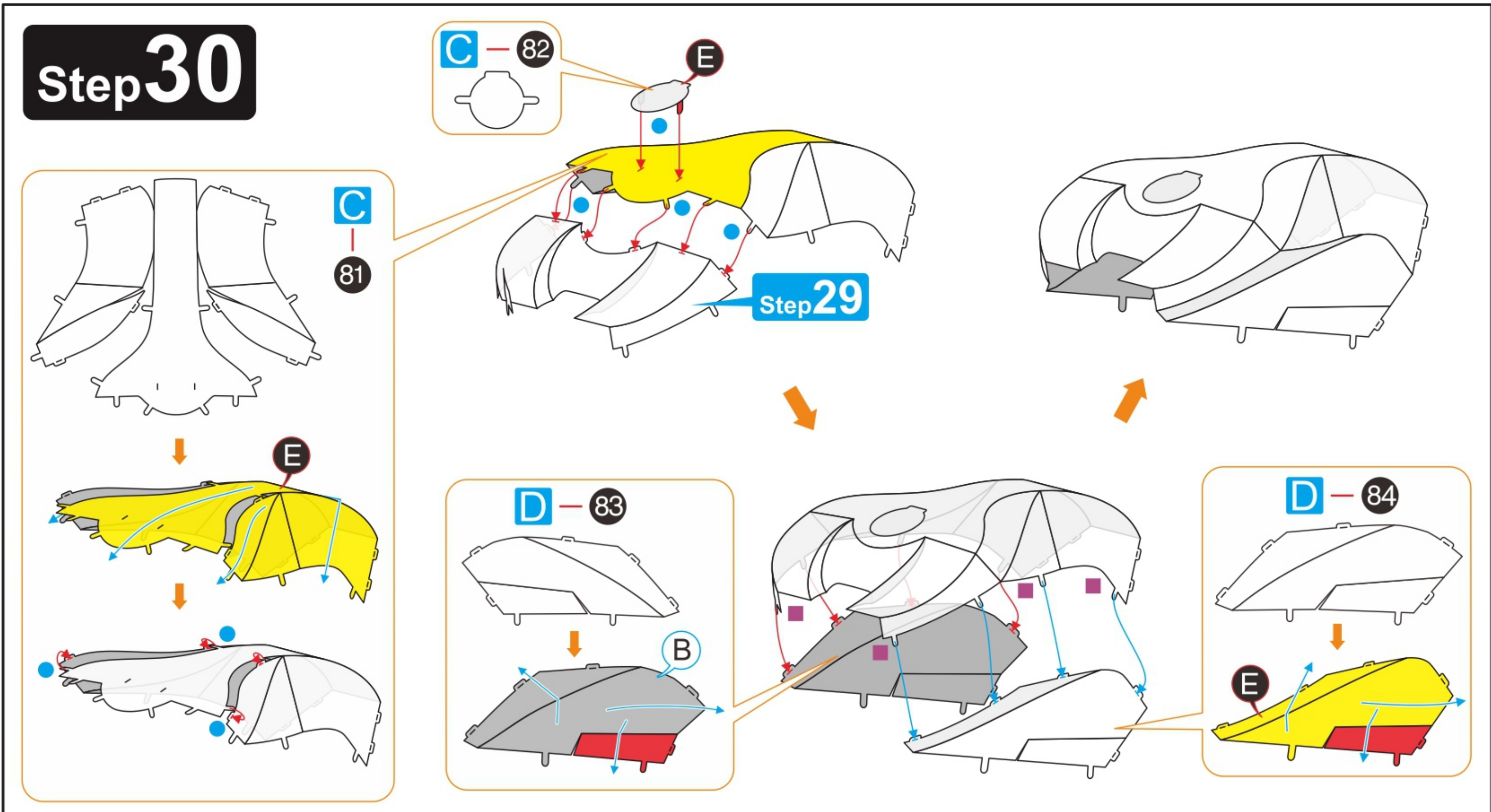
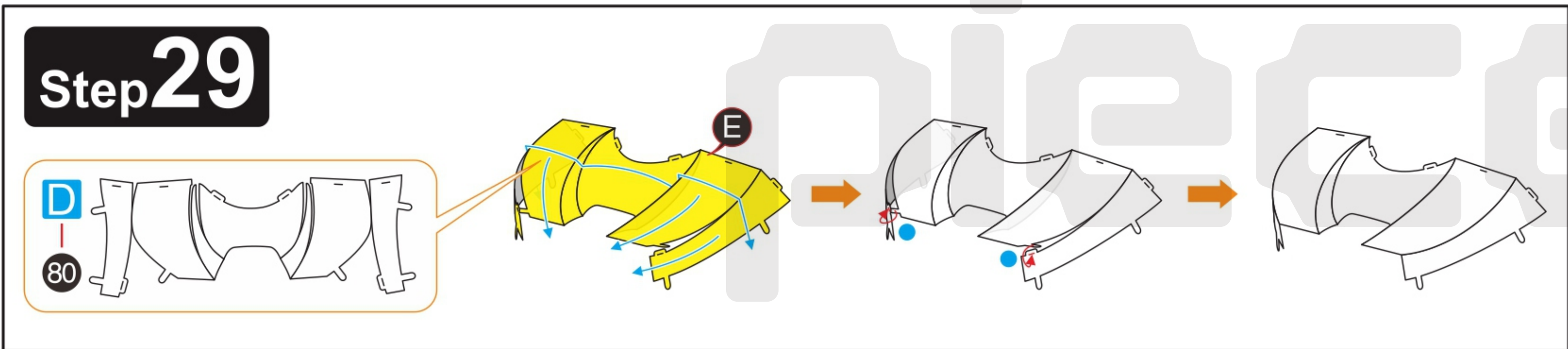
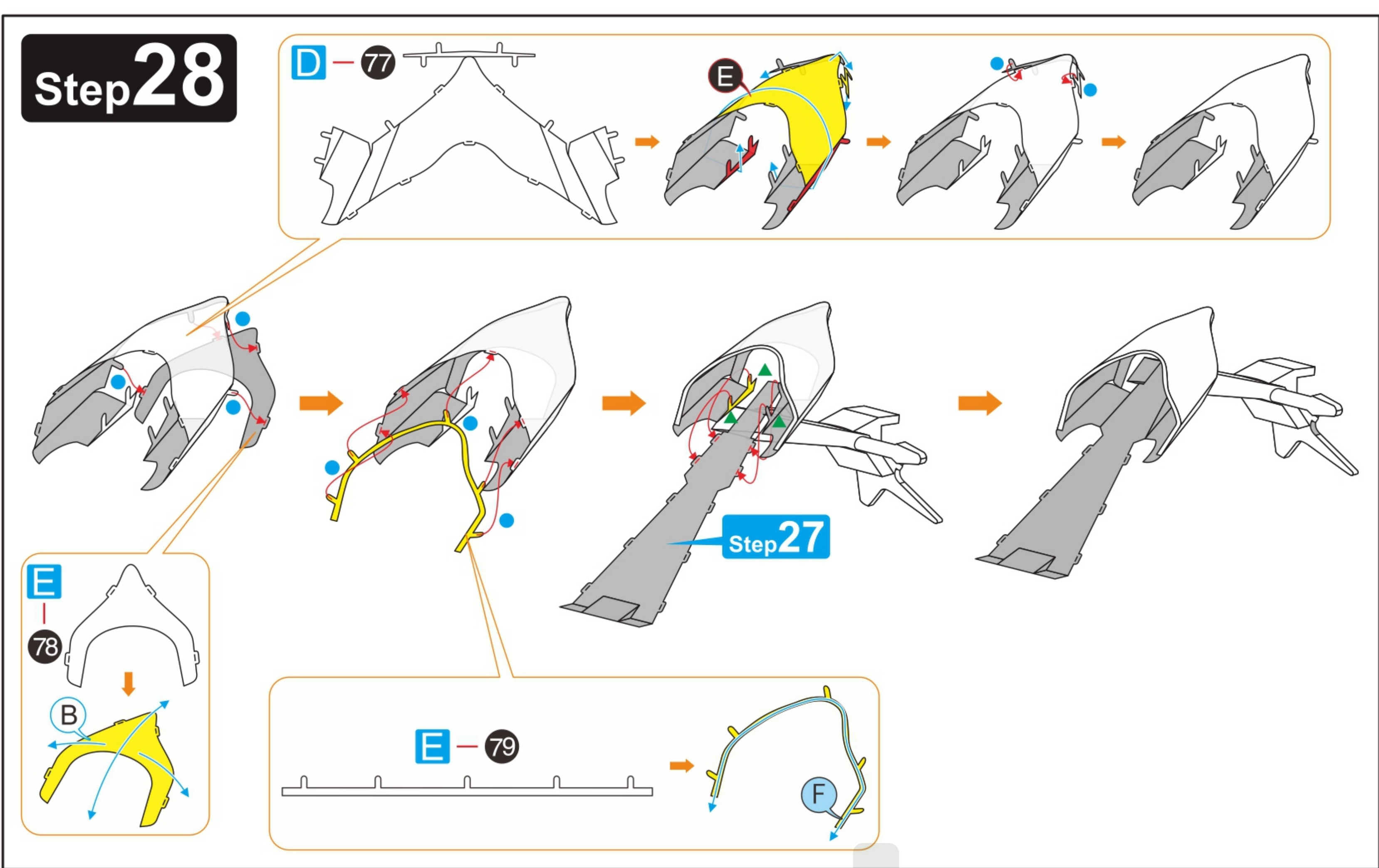
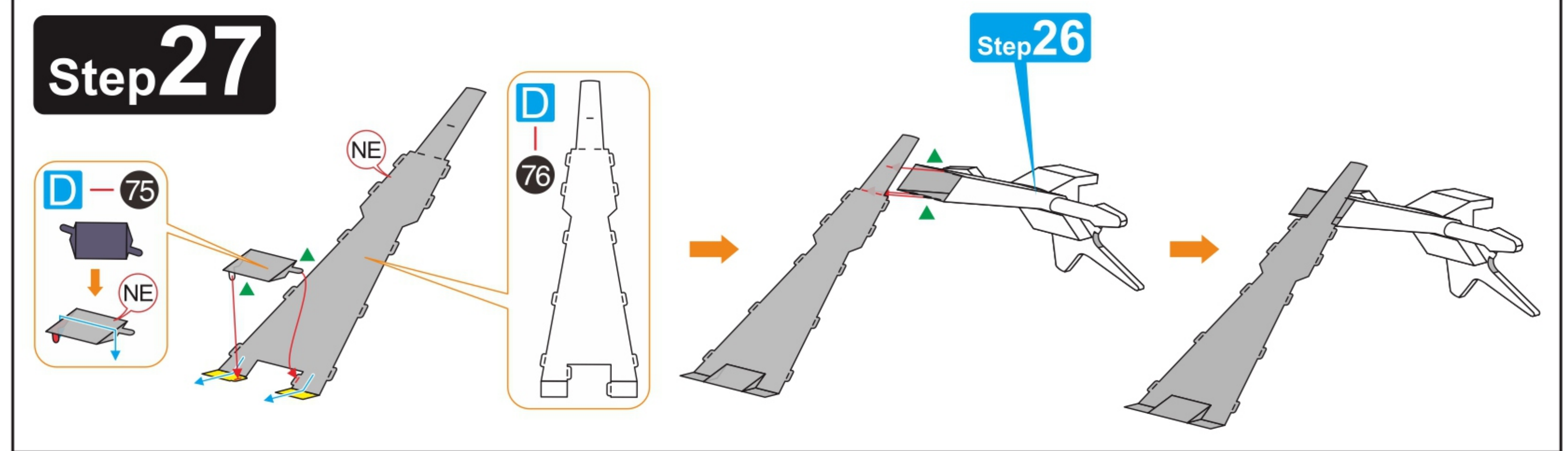
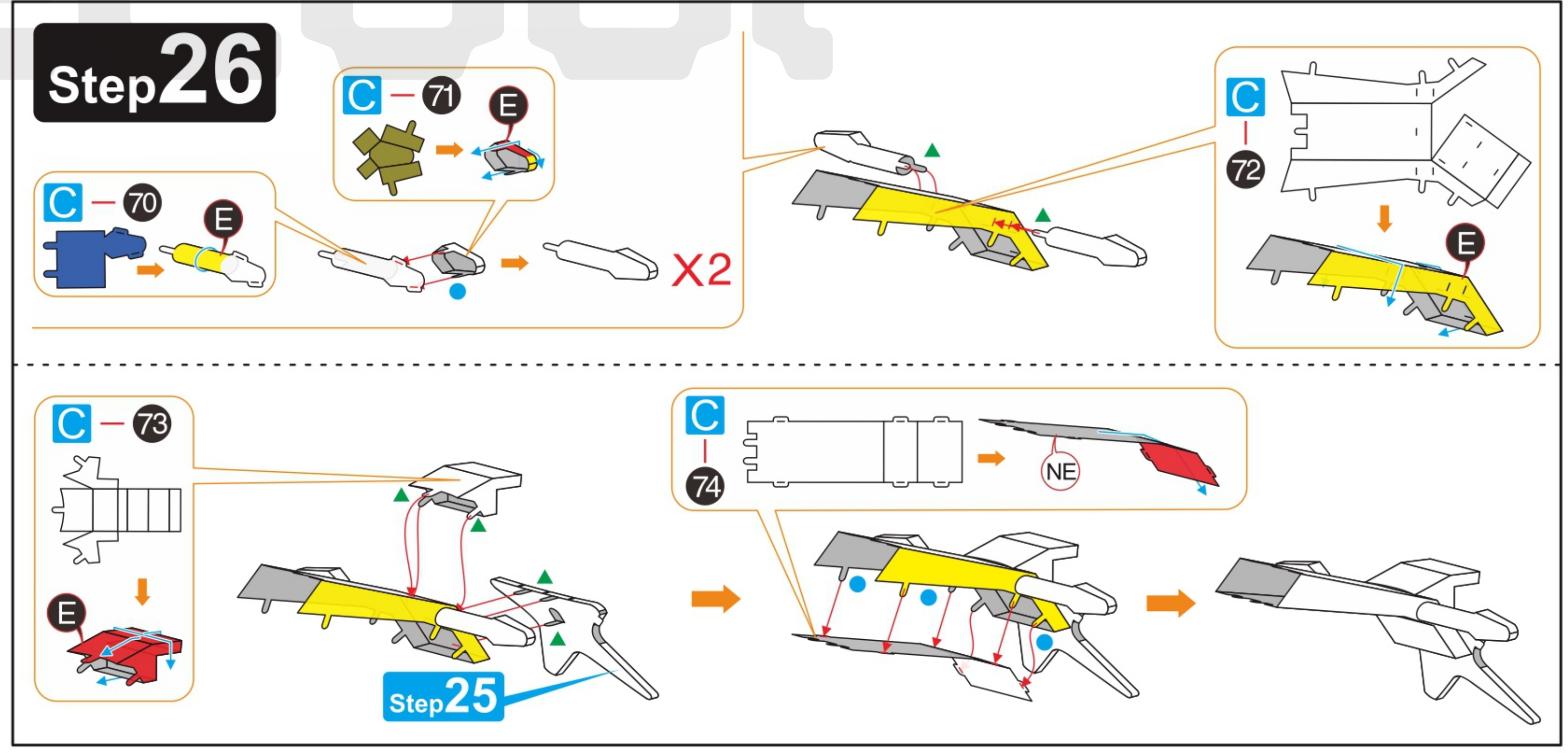
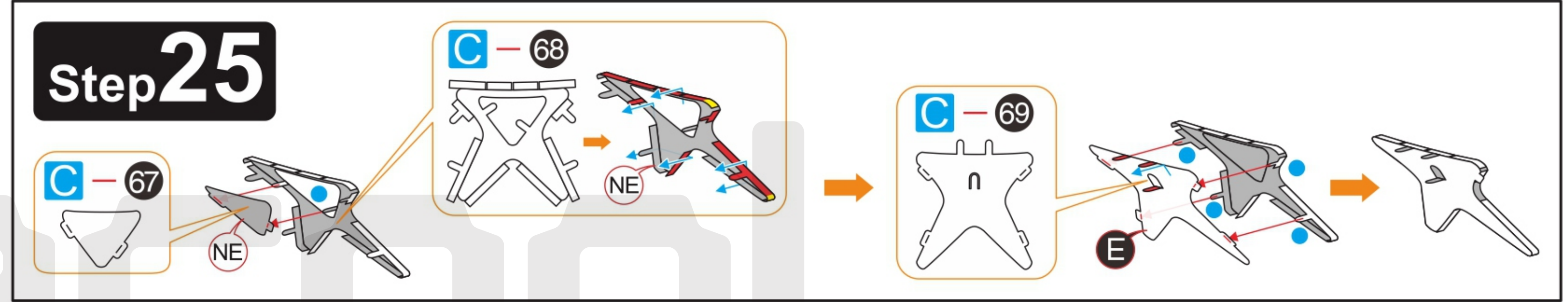
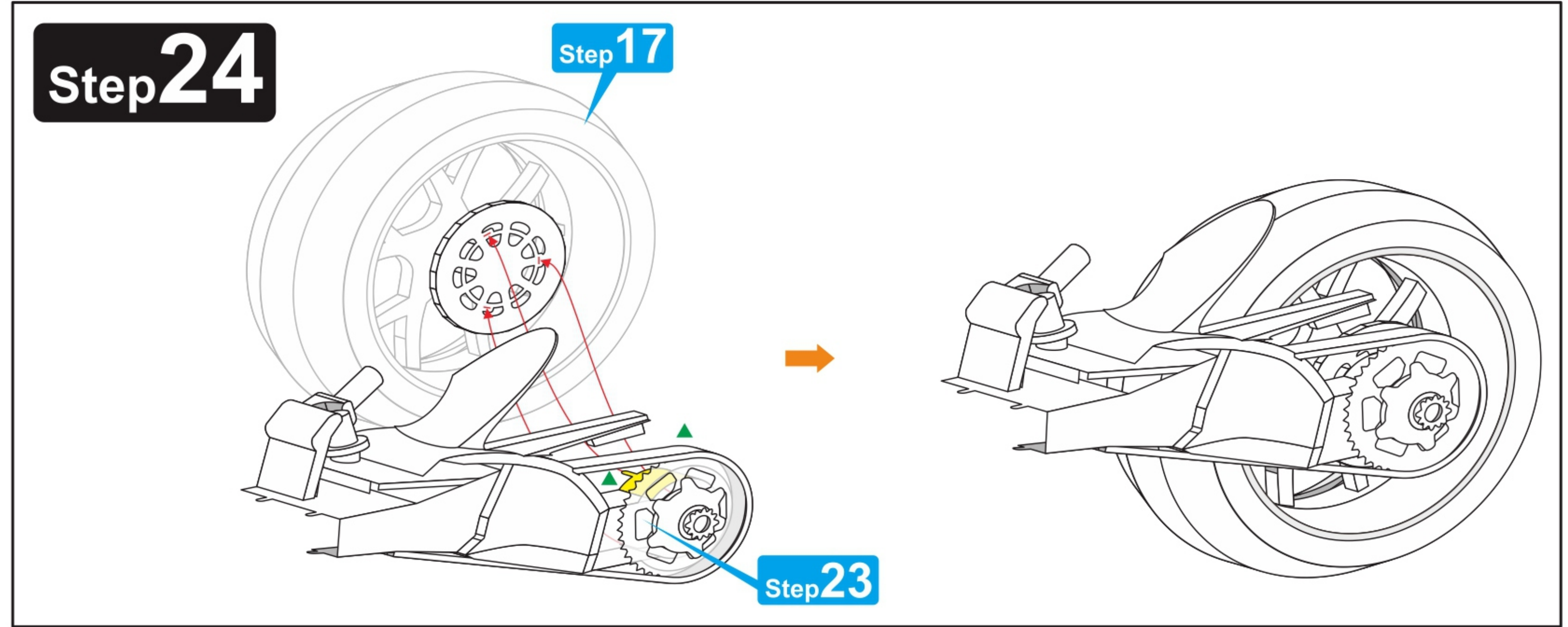
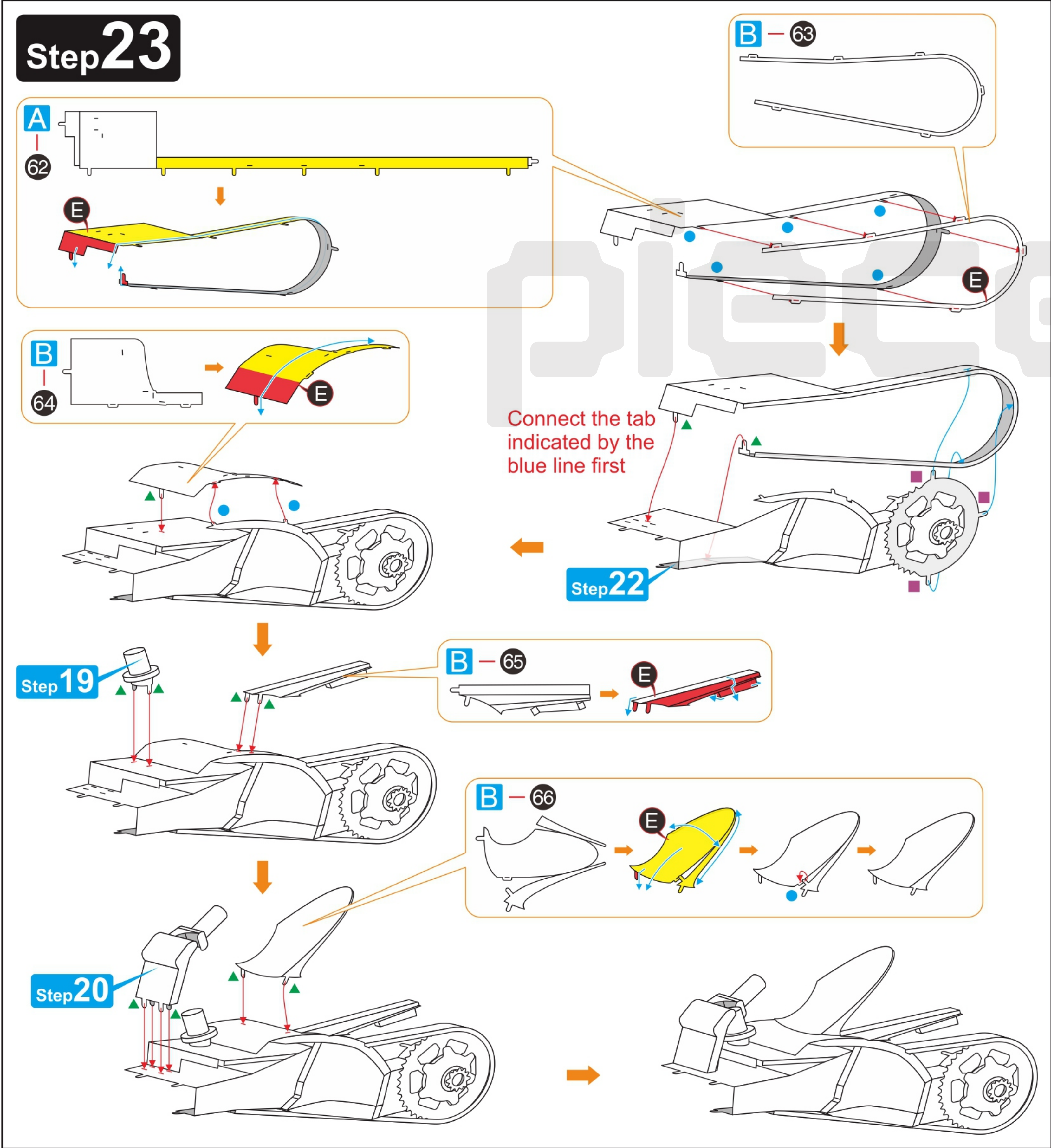
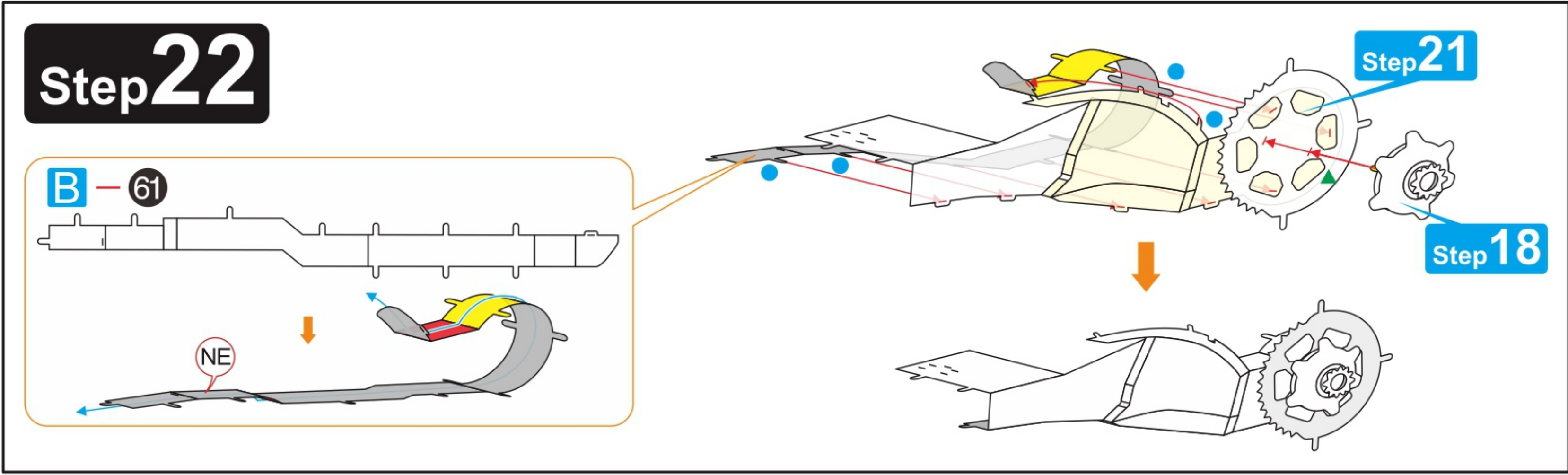
Step 04

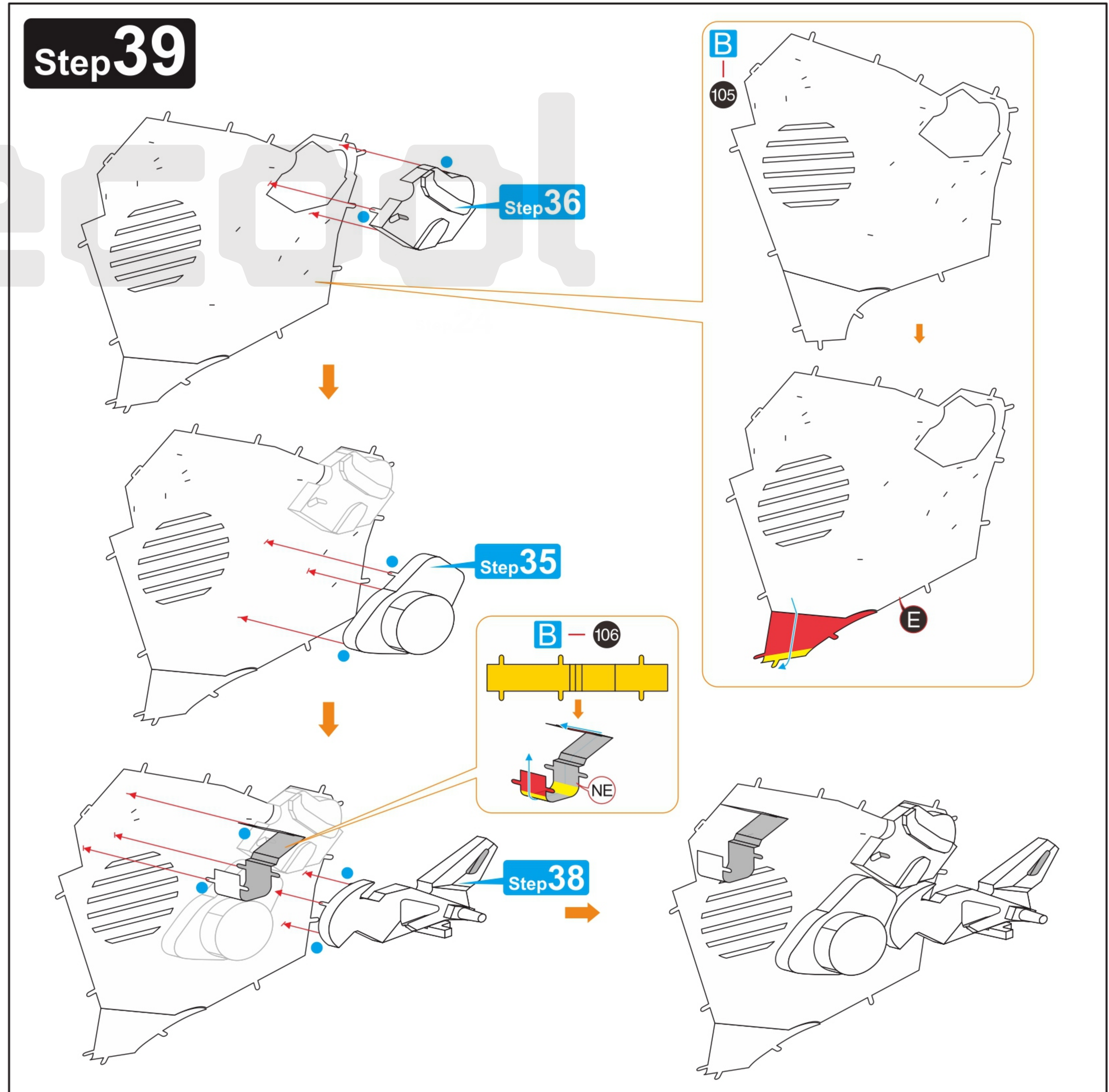
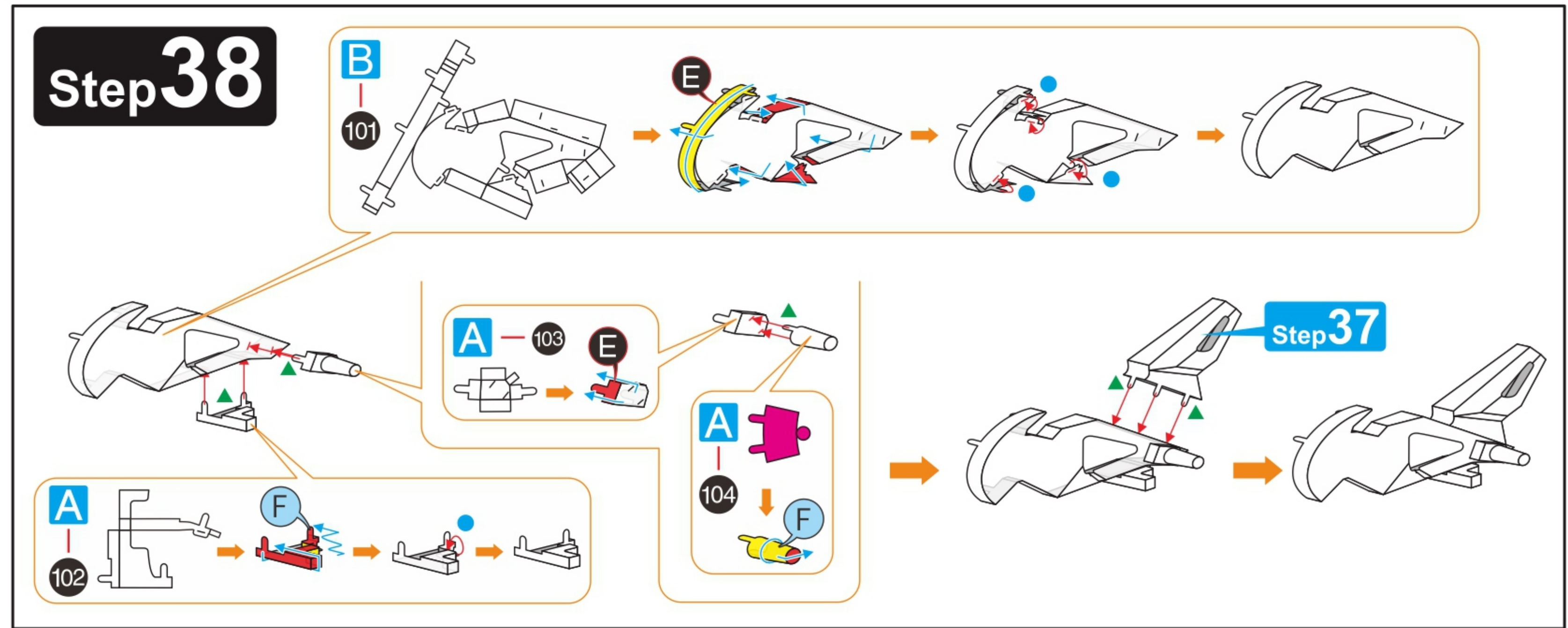
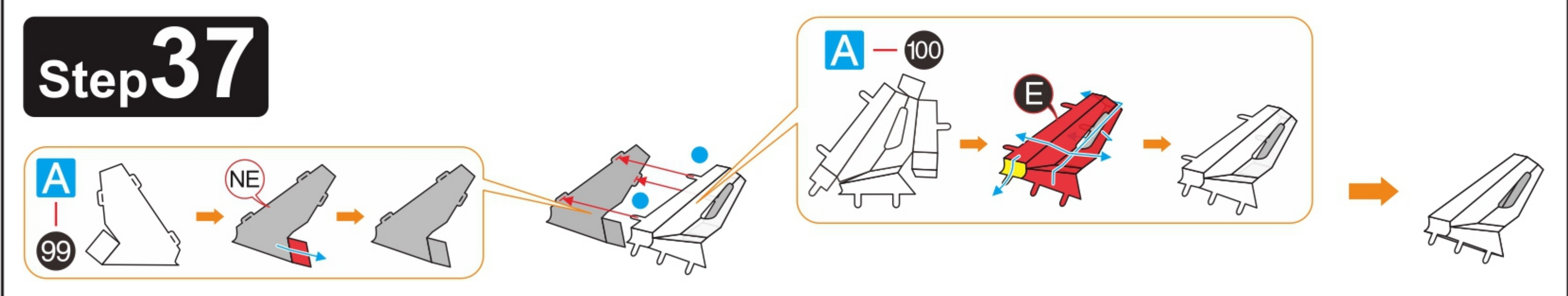
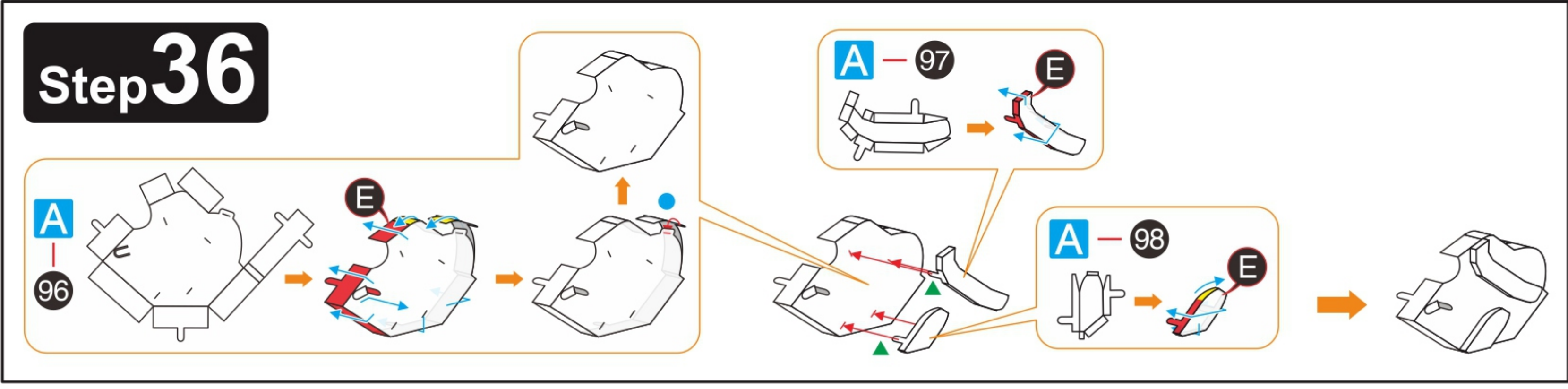
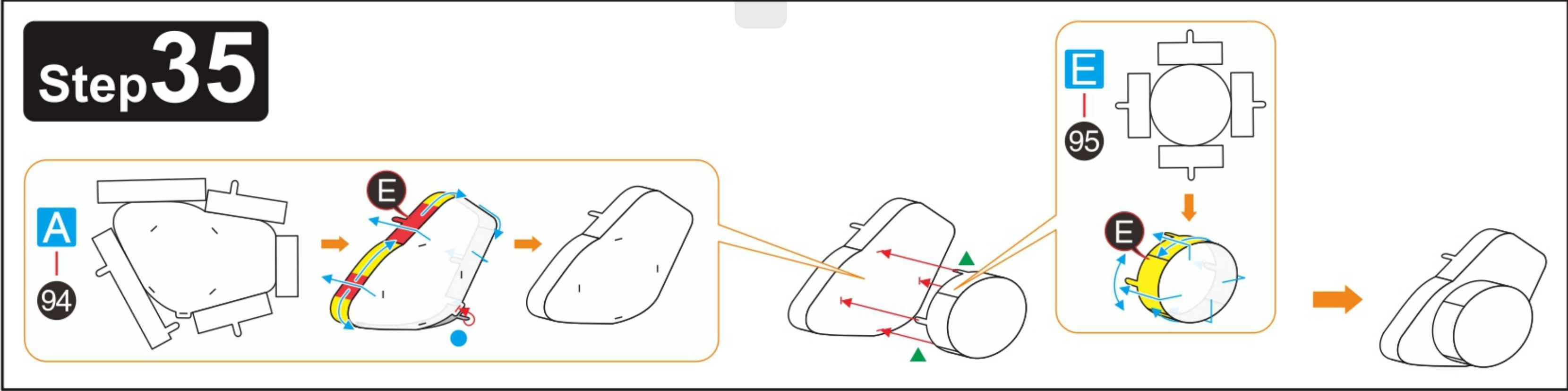
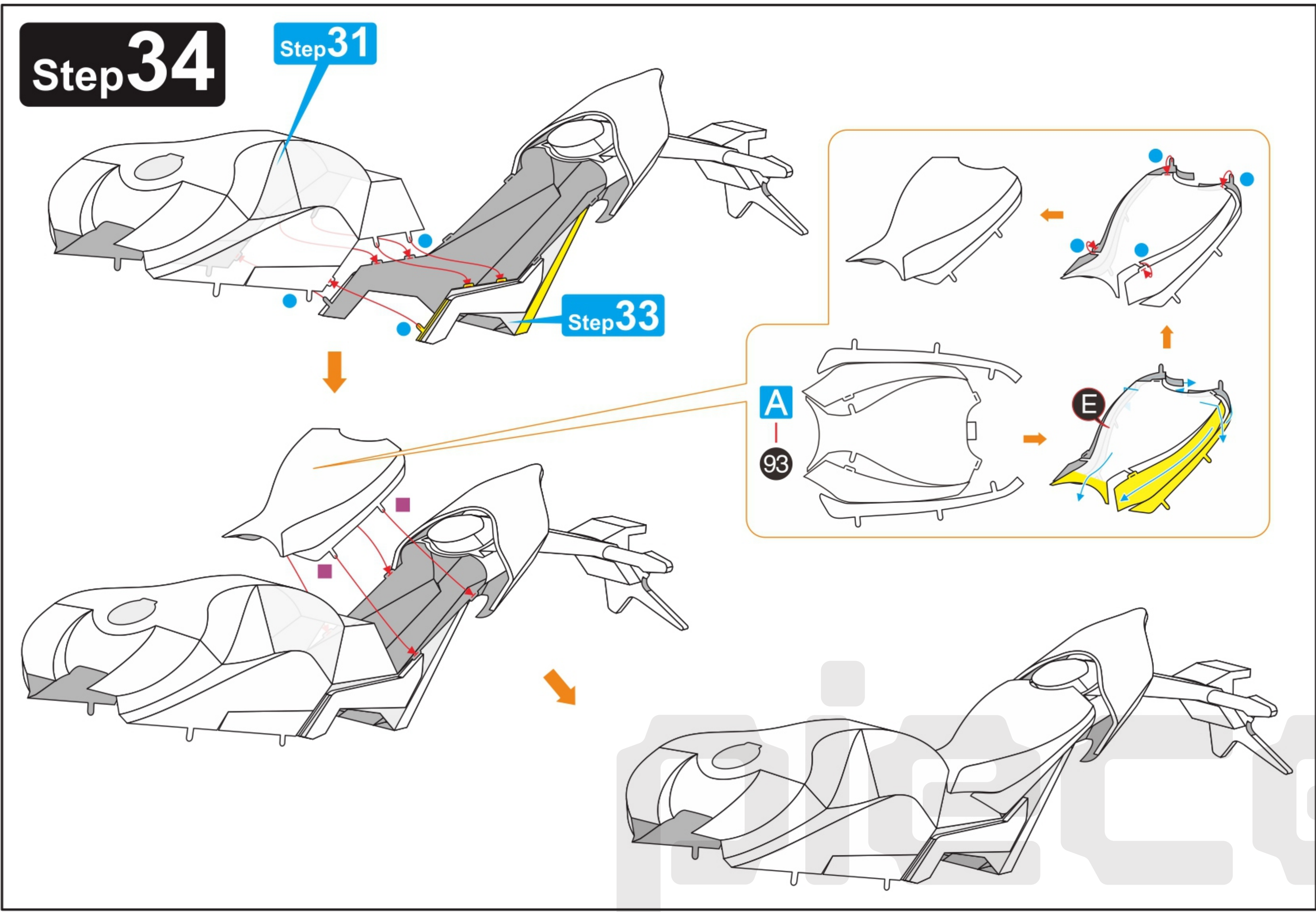


Step 05

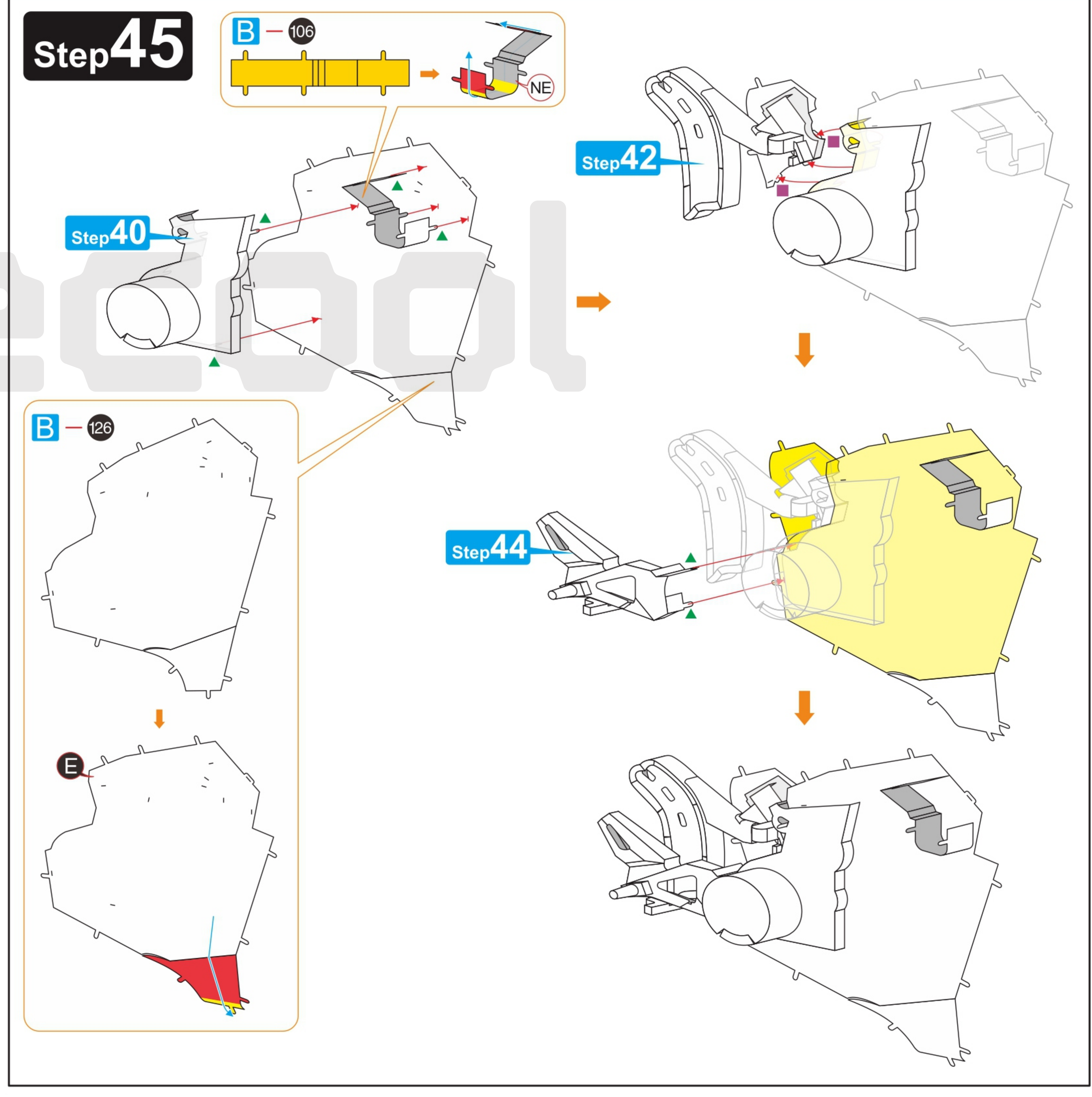
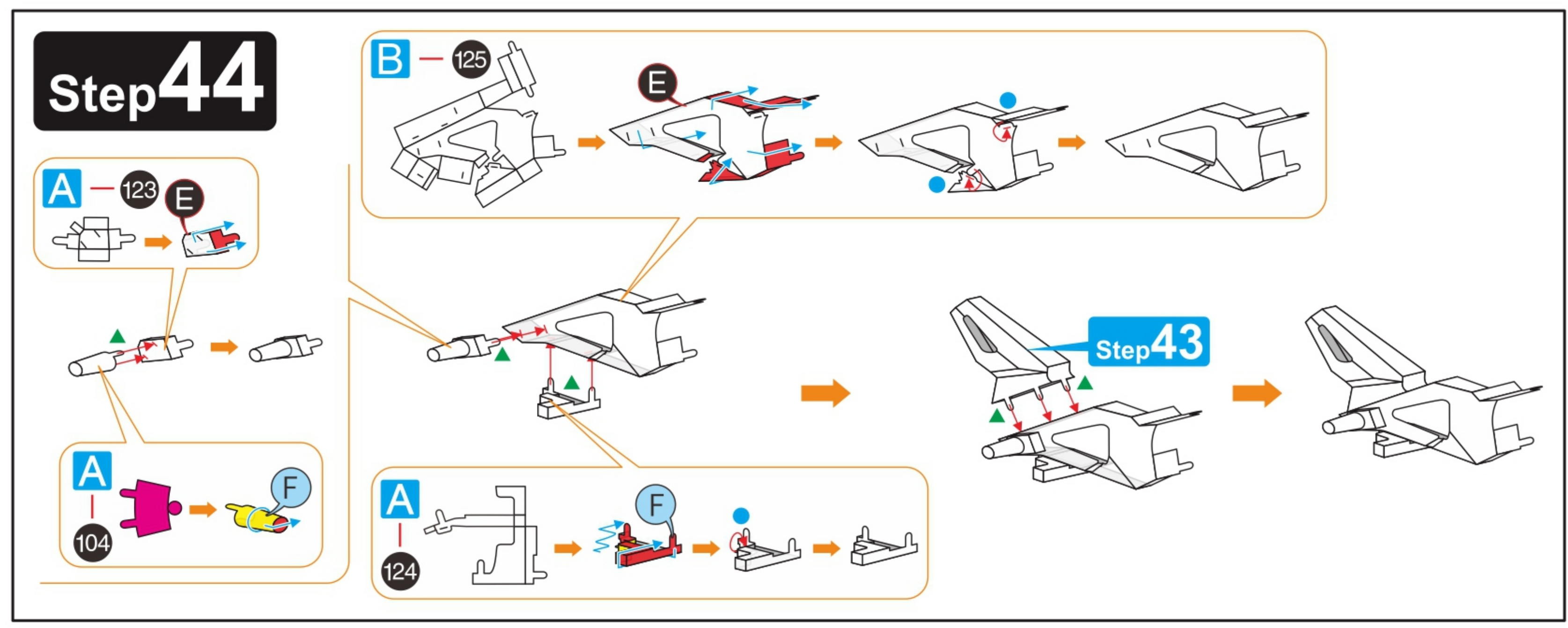
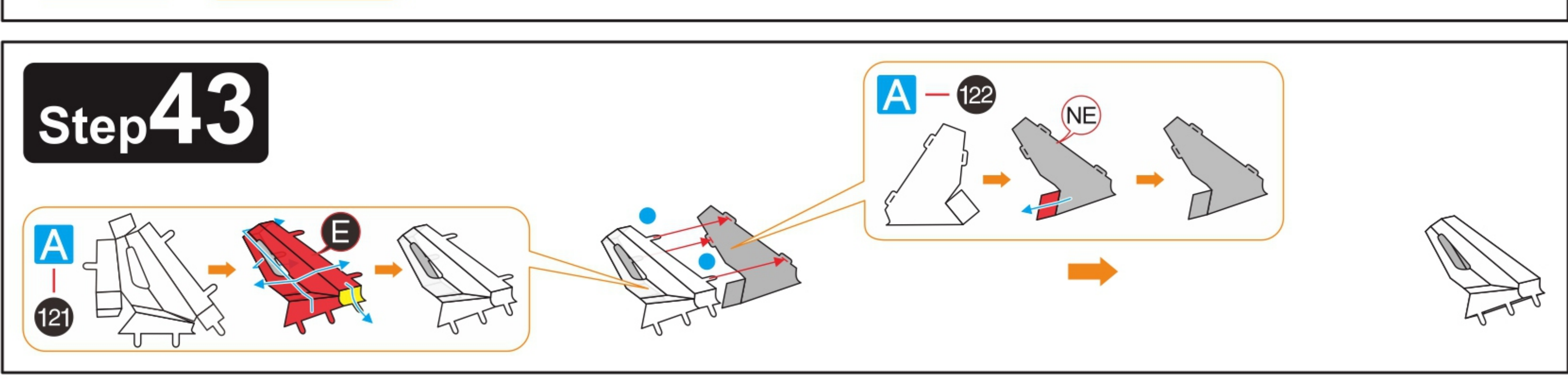
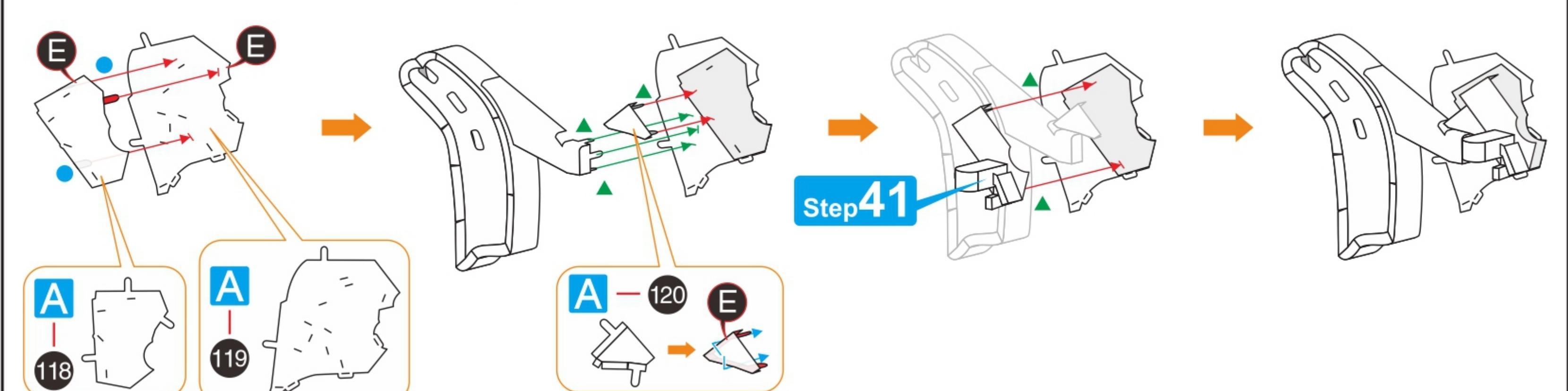
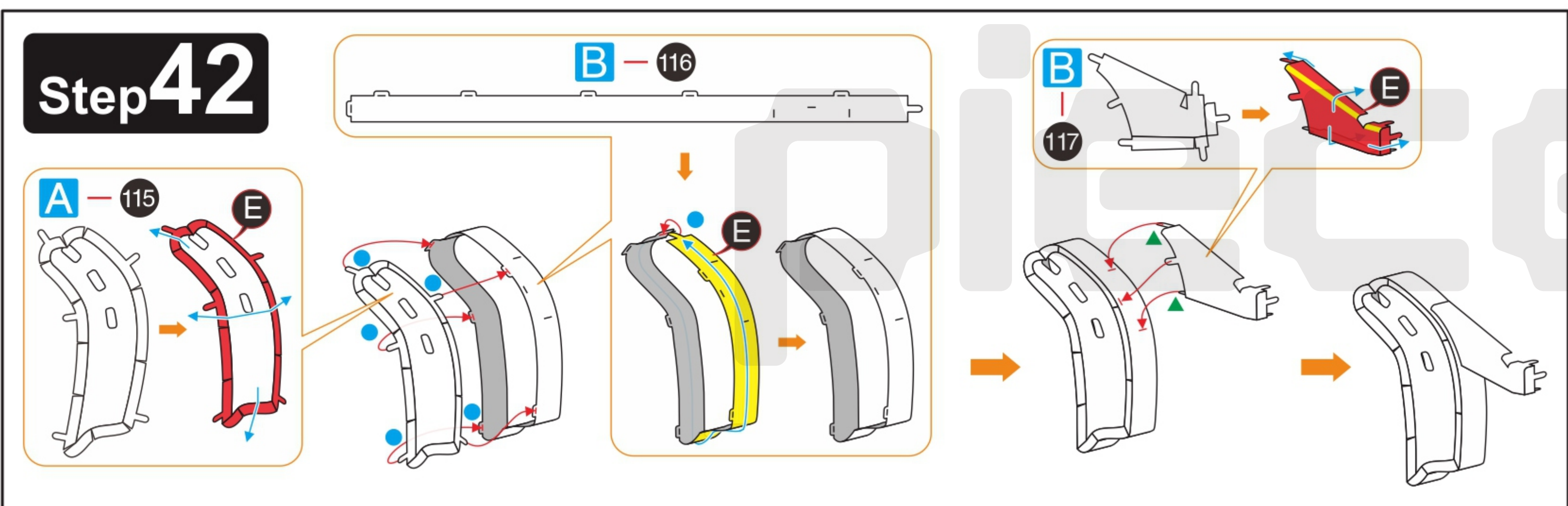
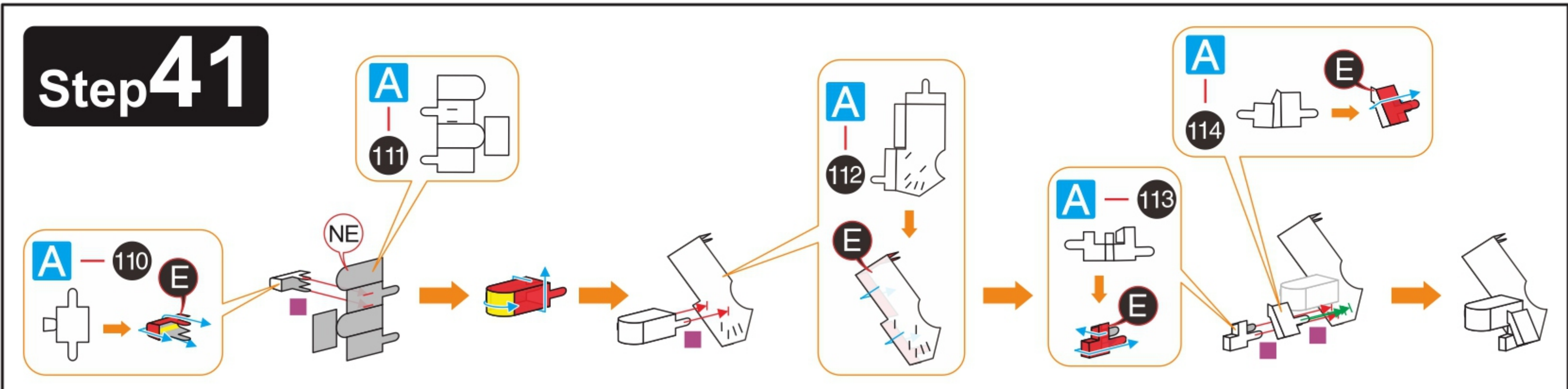
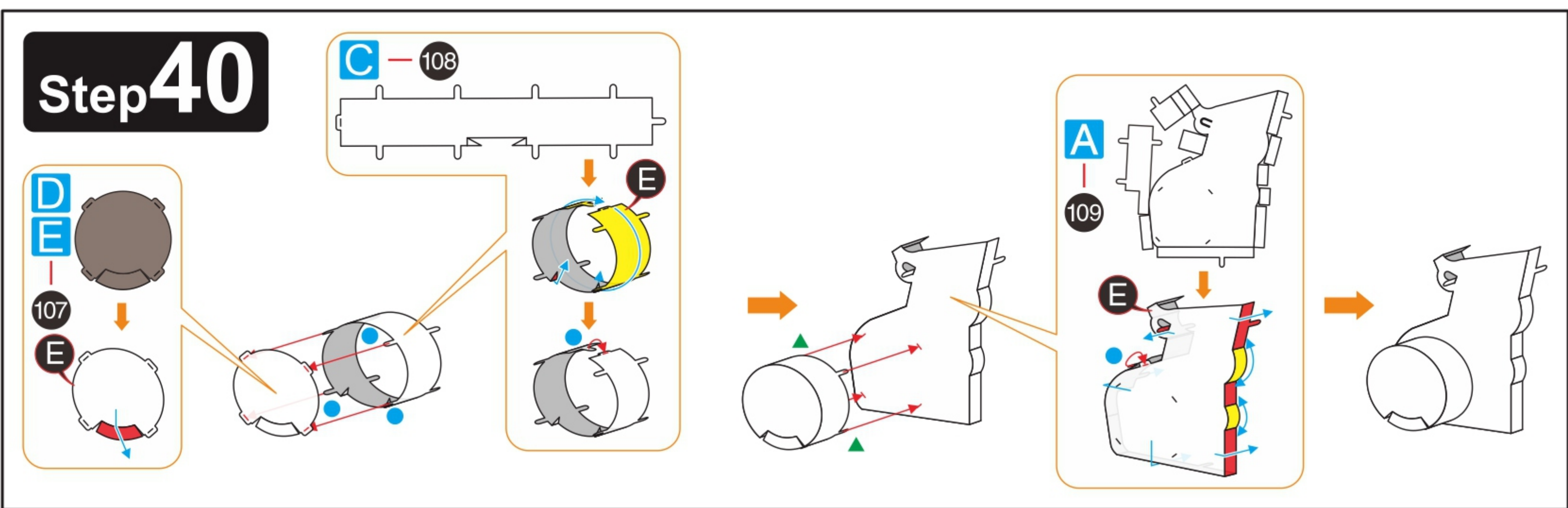


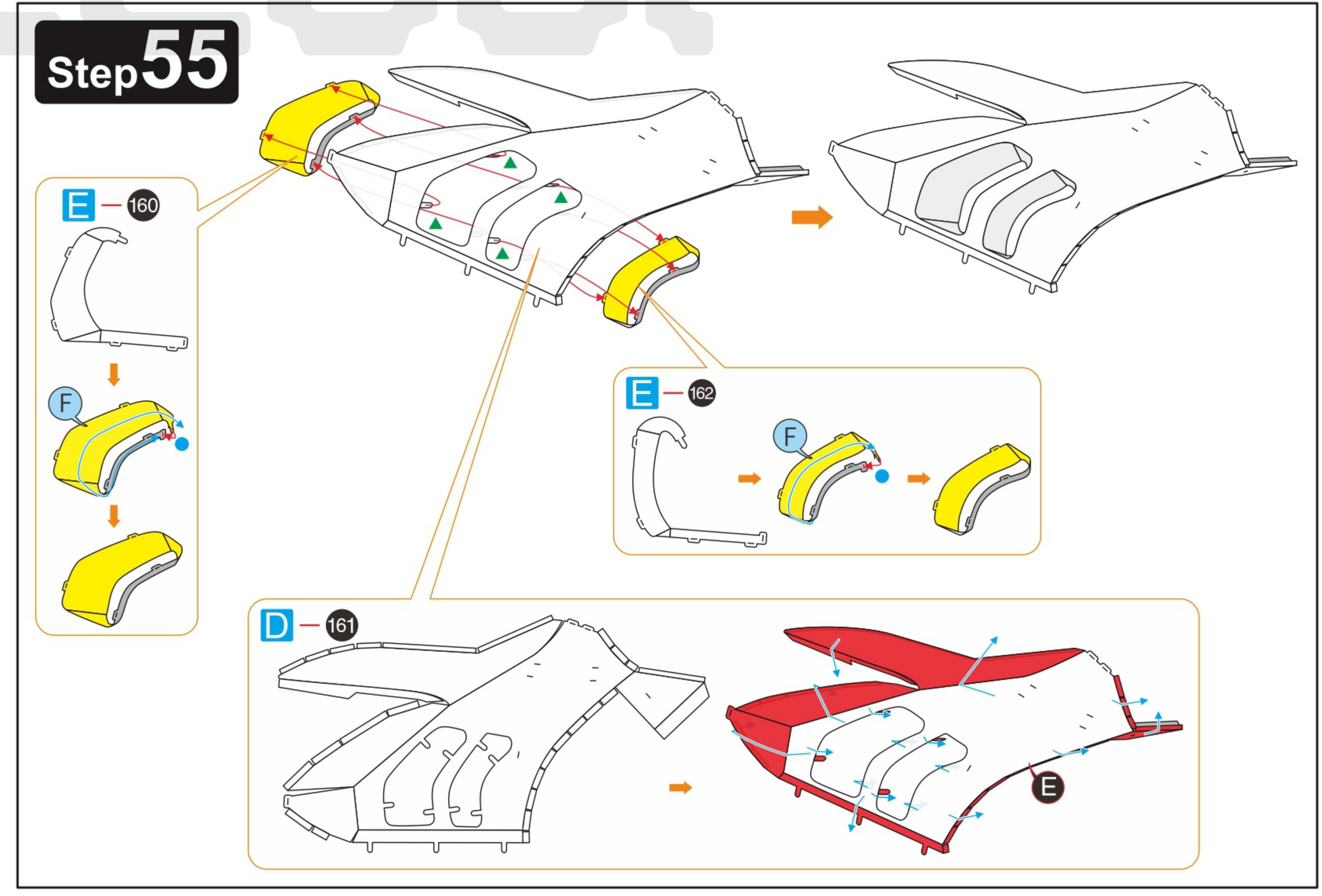
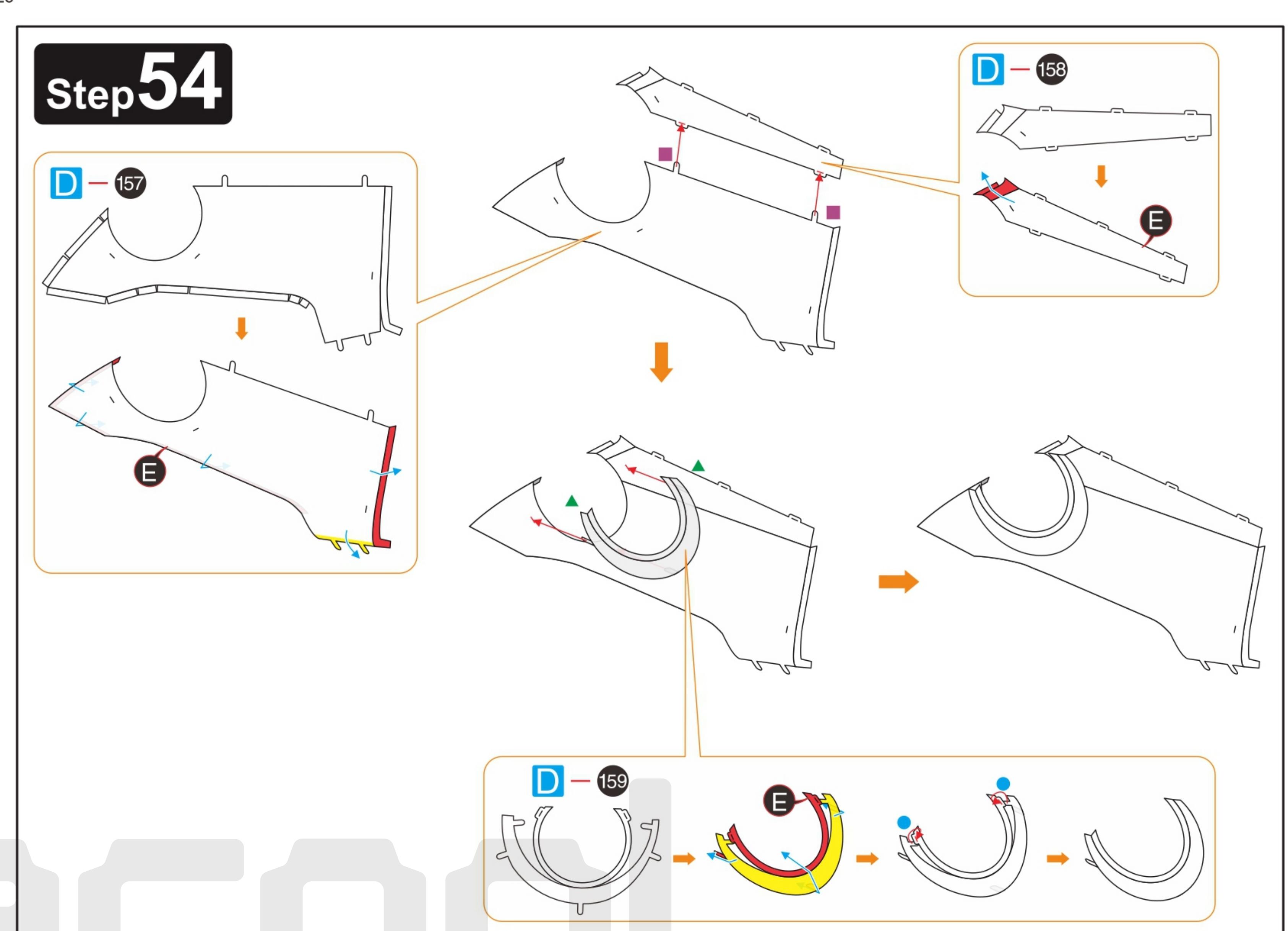
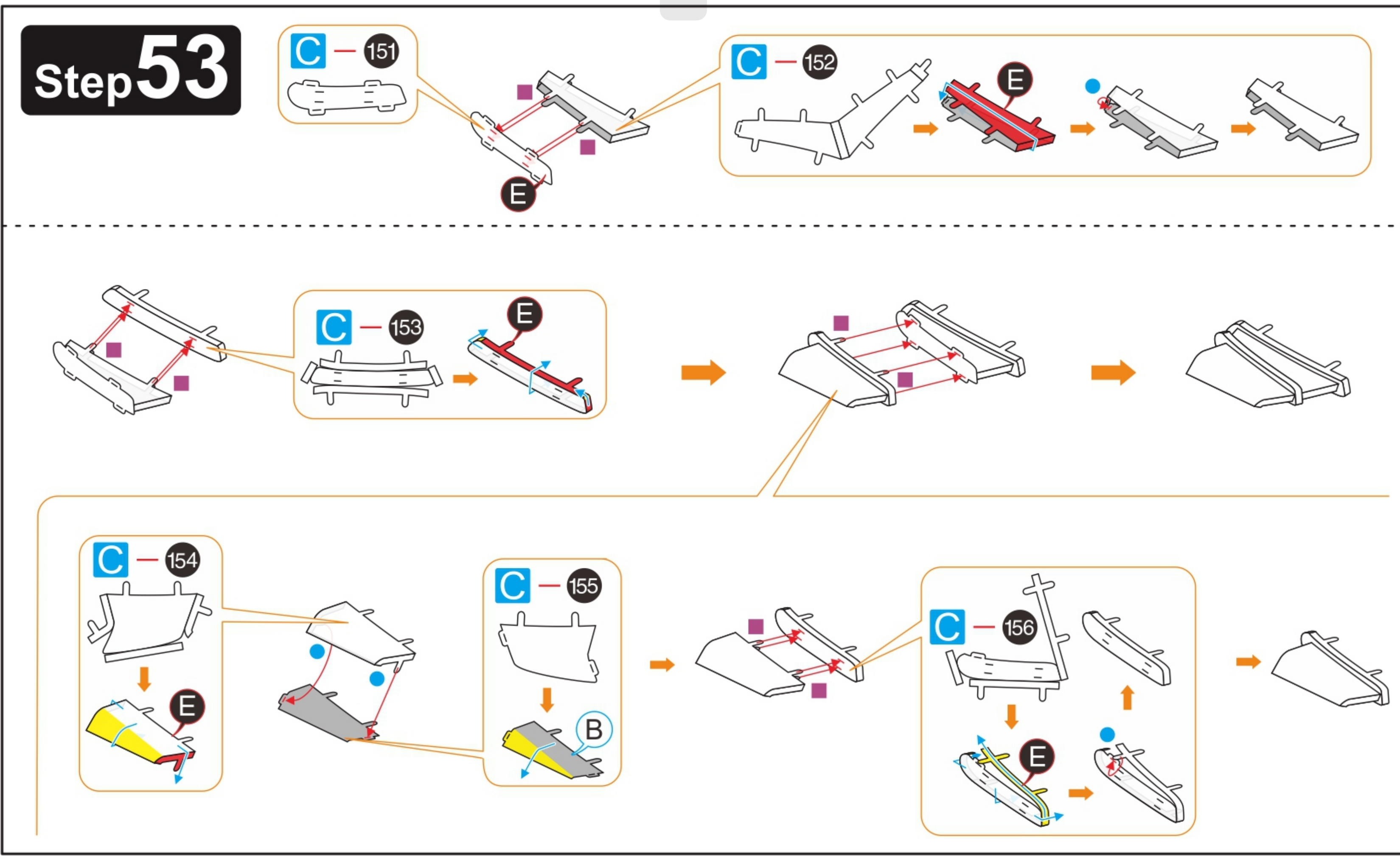
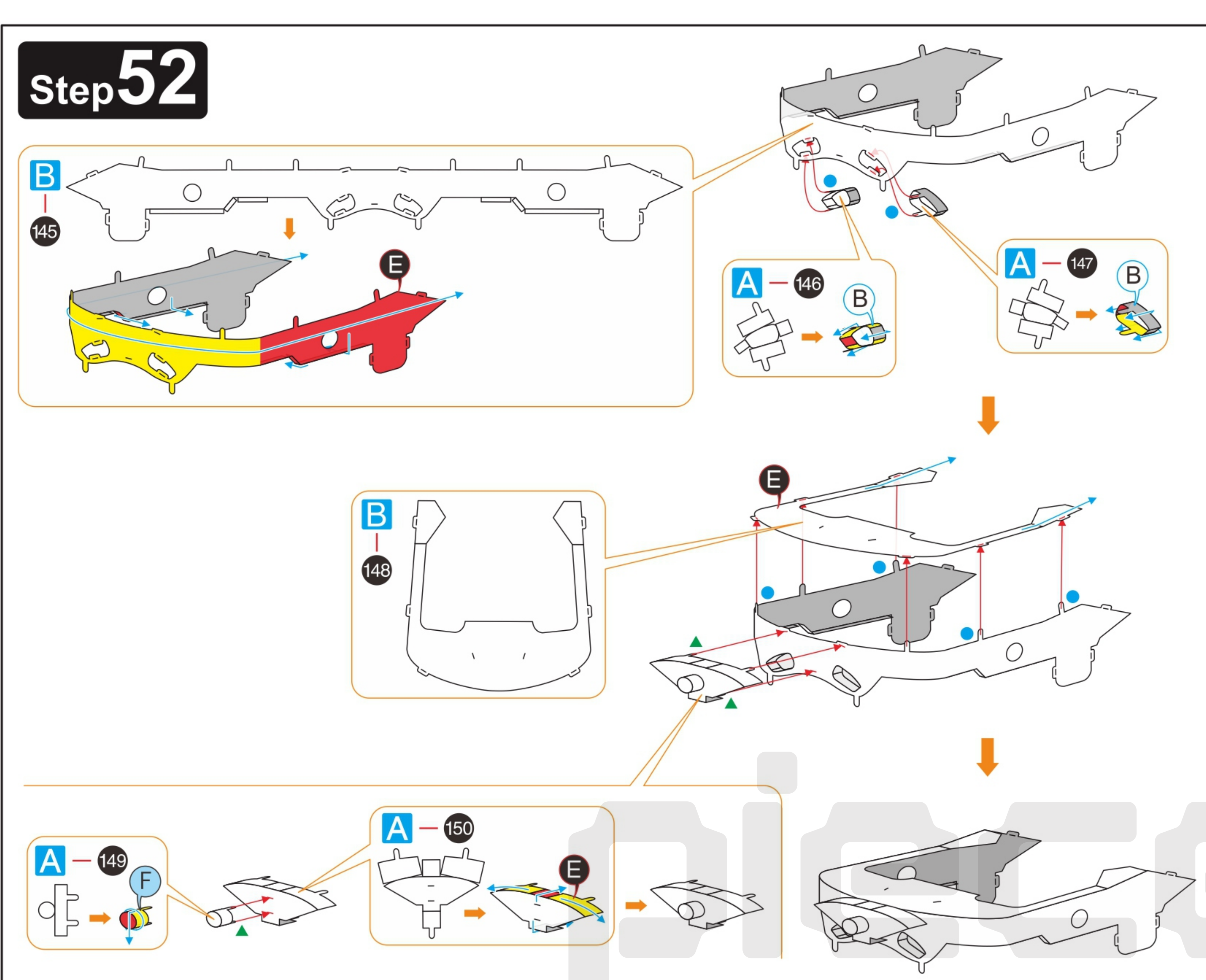
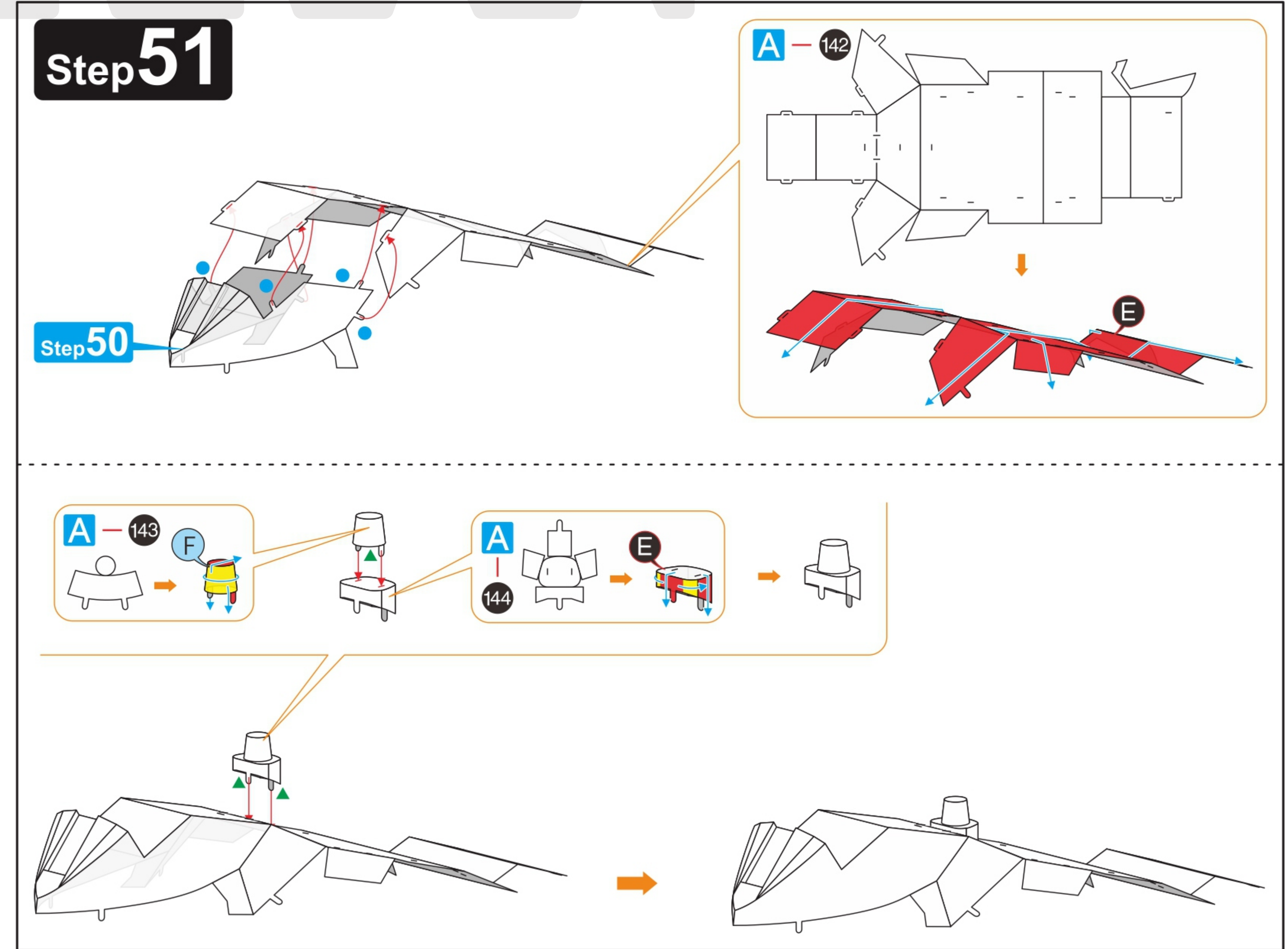
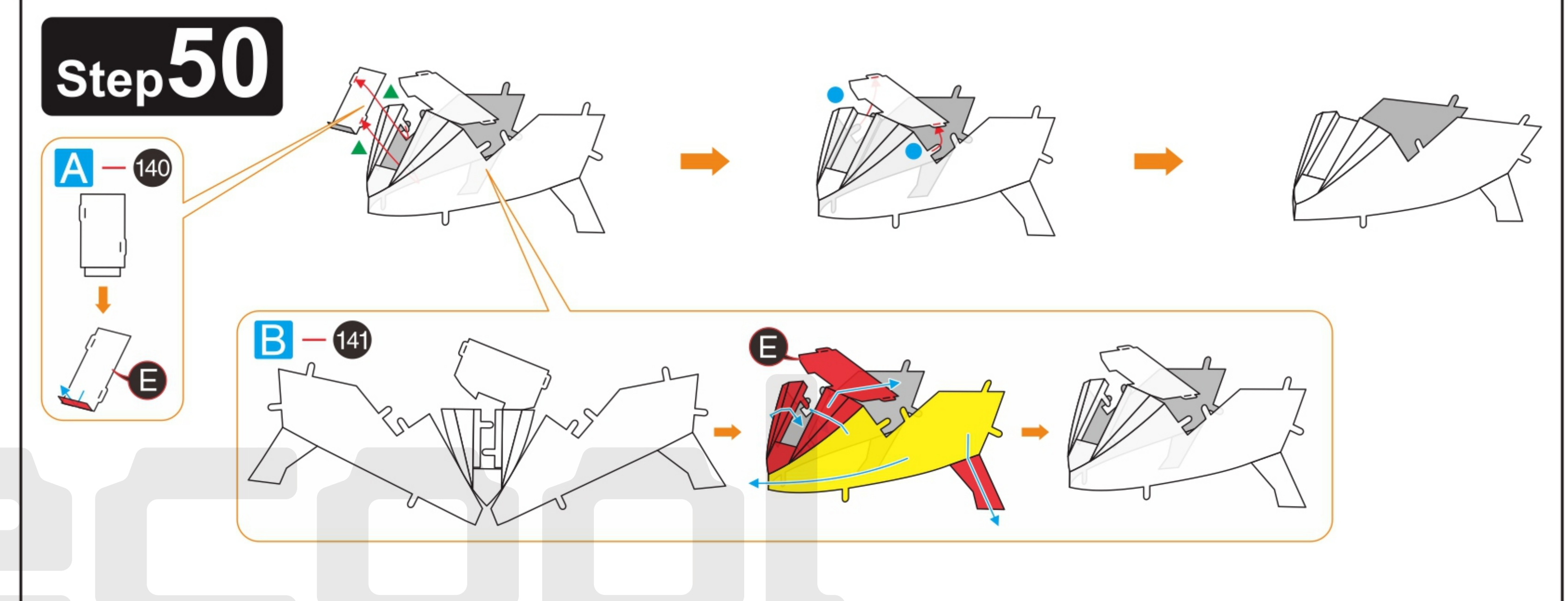
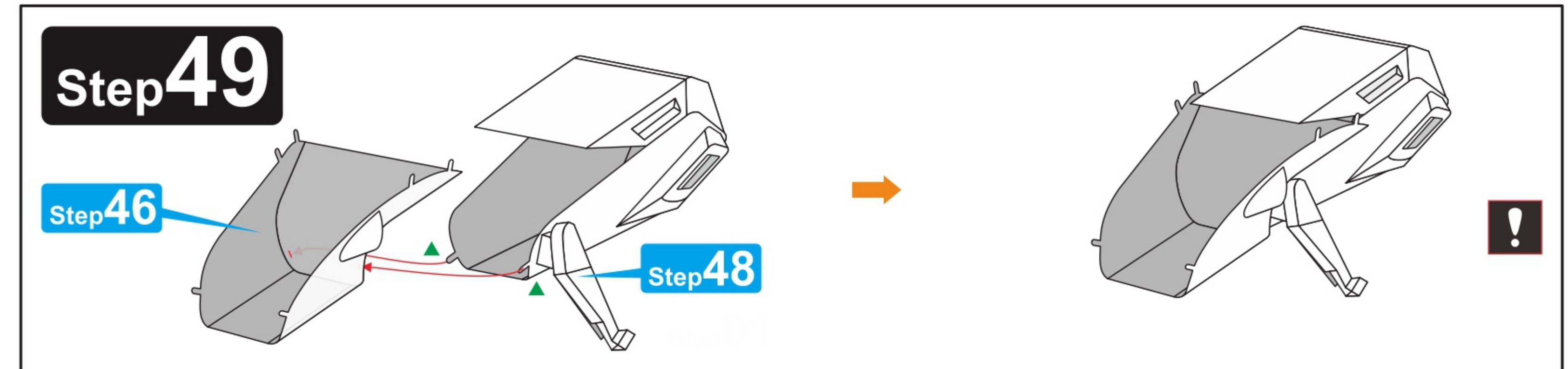
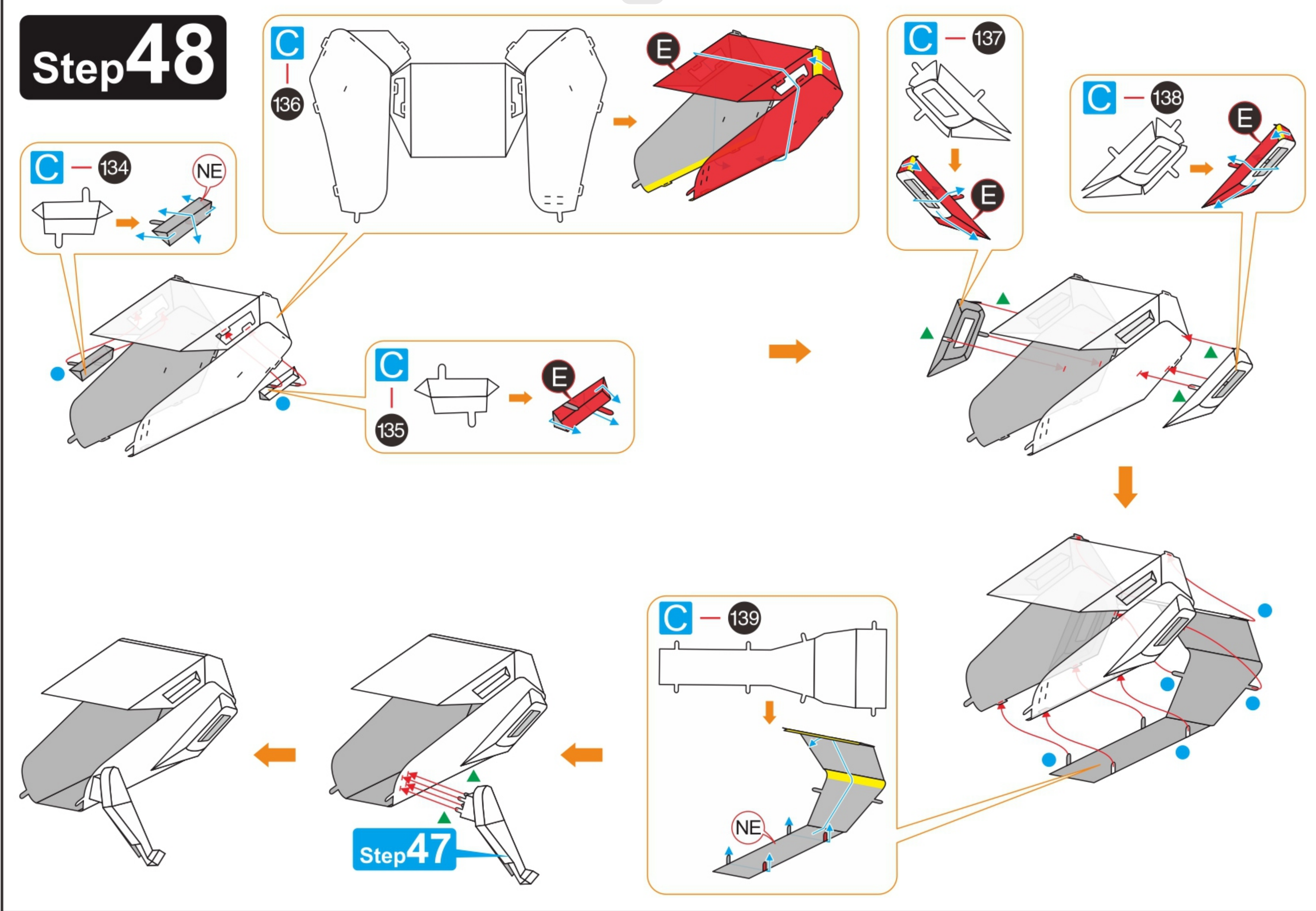
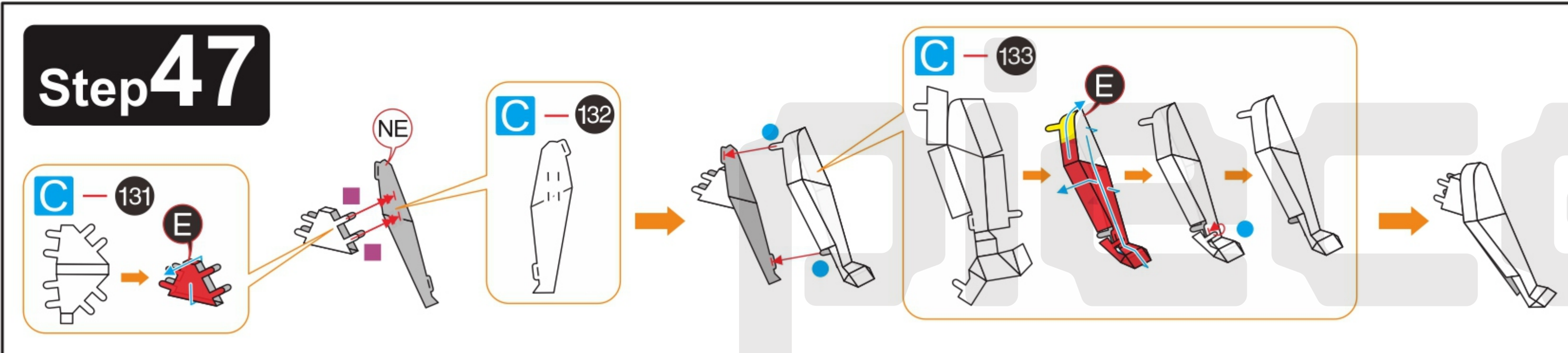
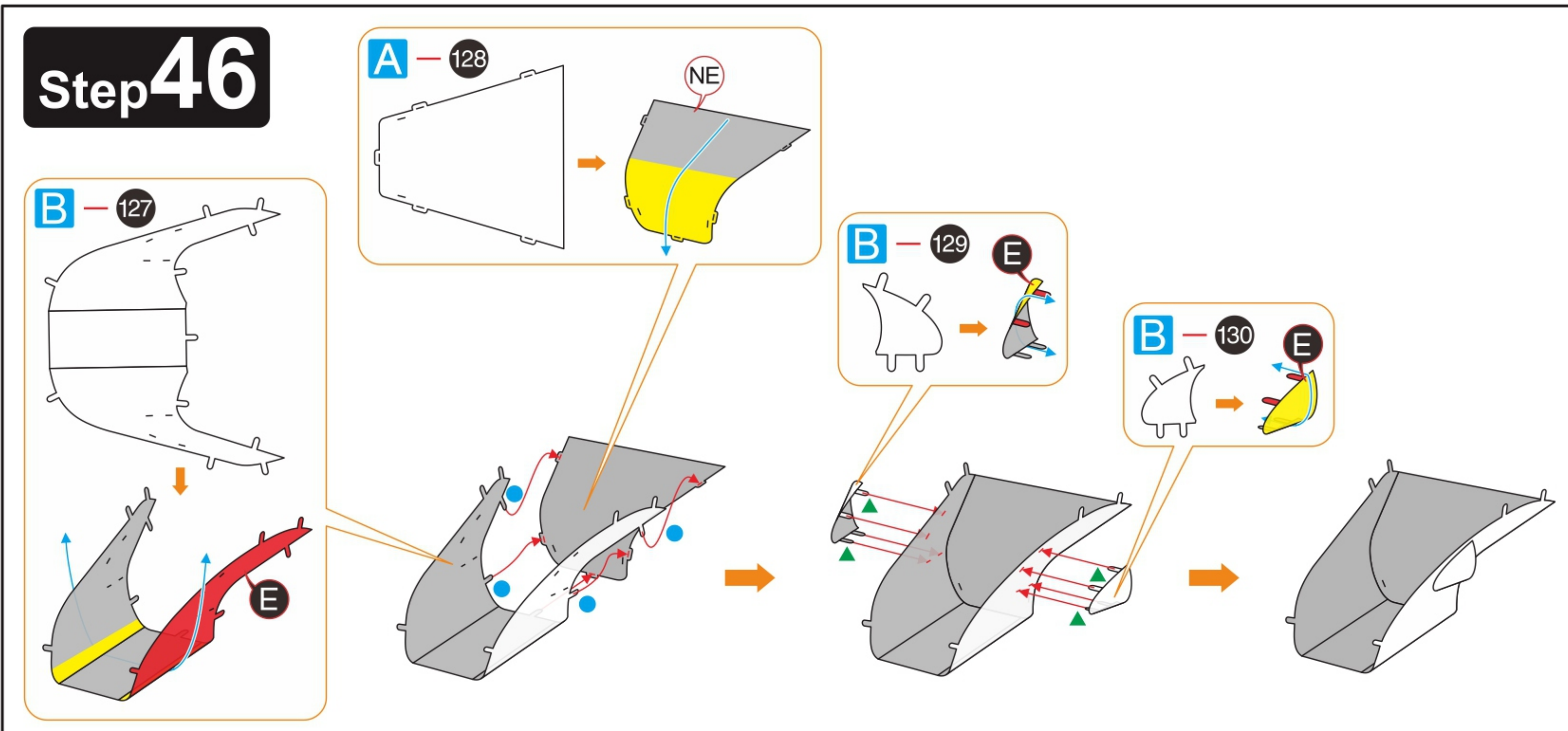


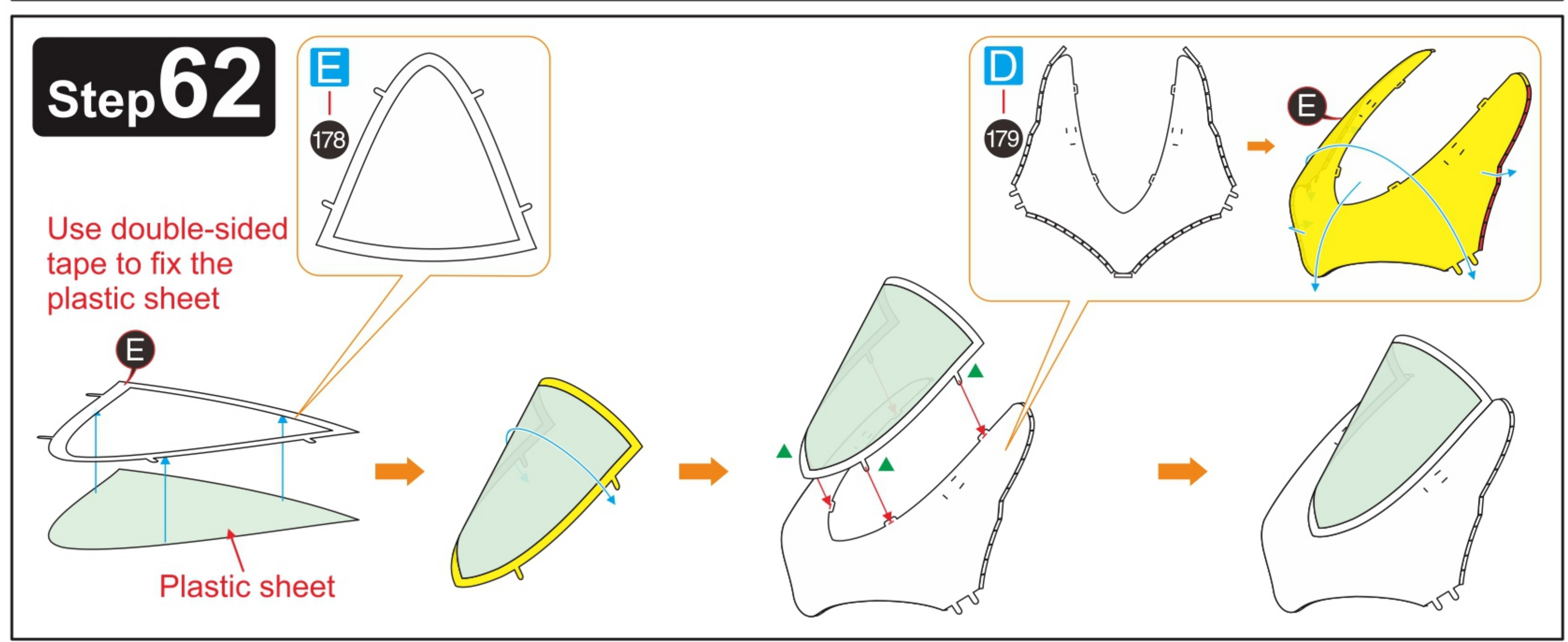
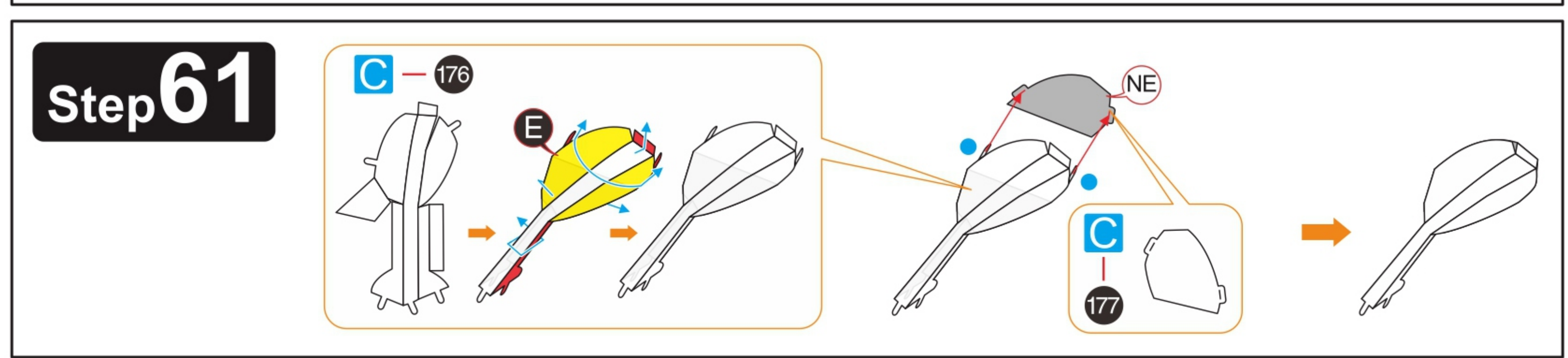
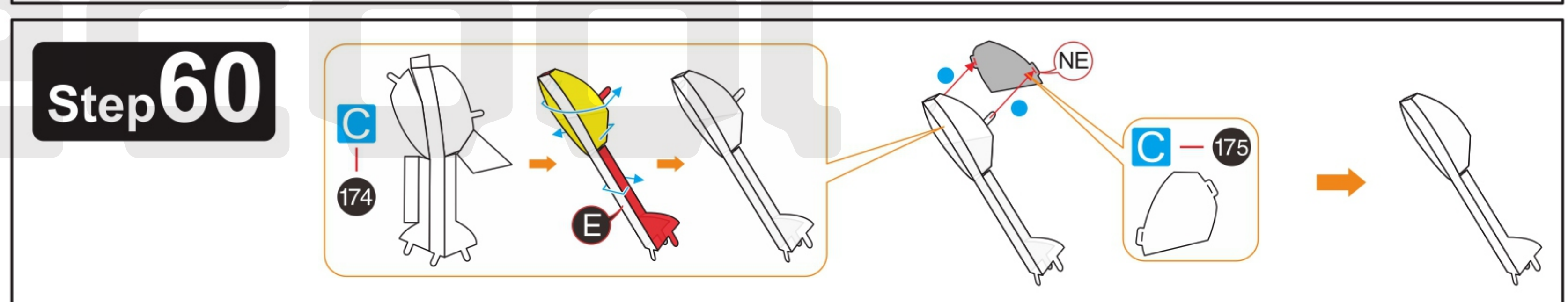
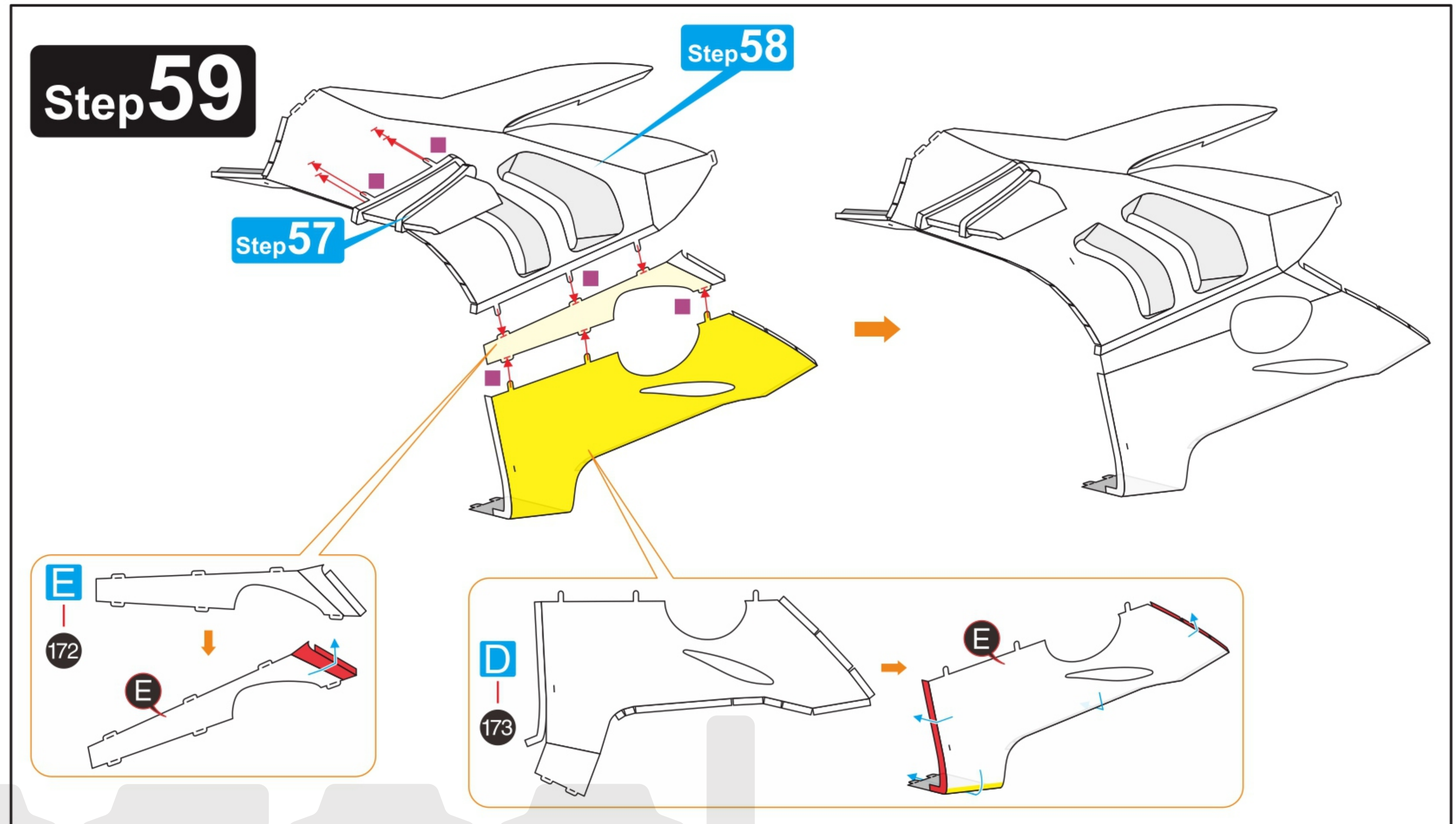
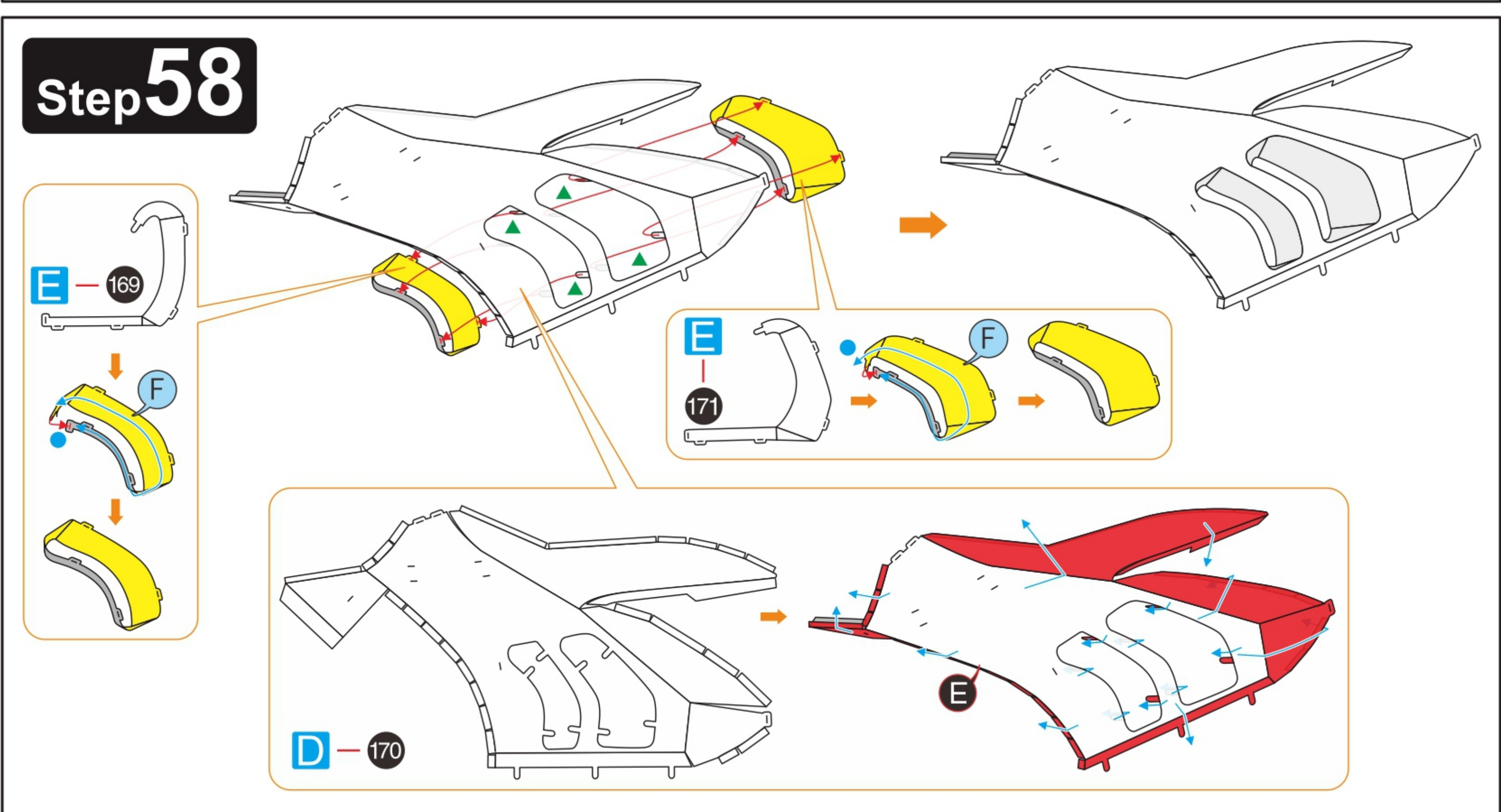
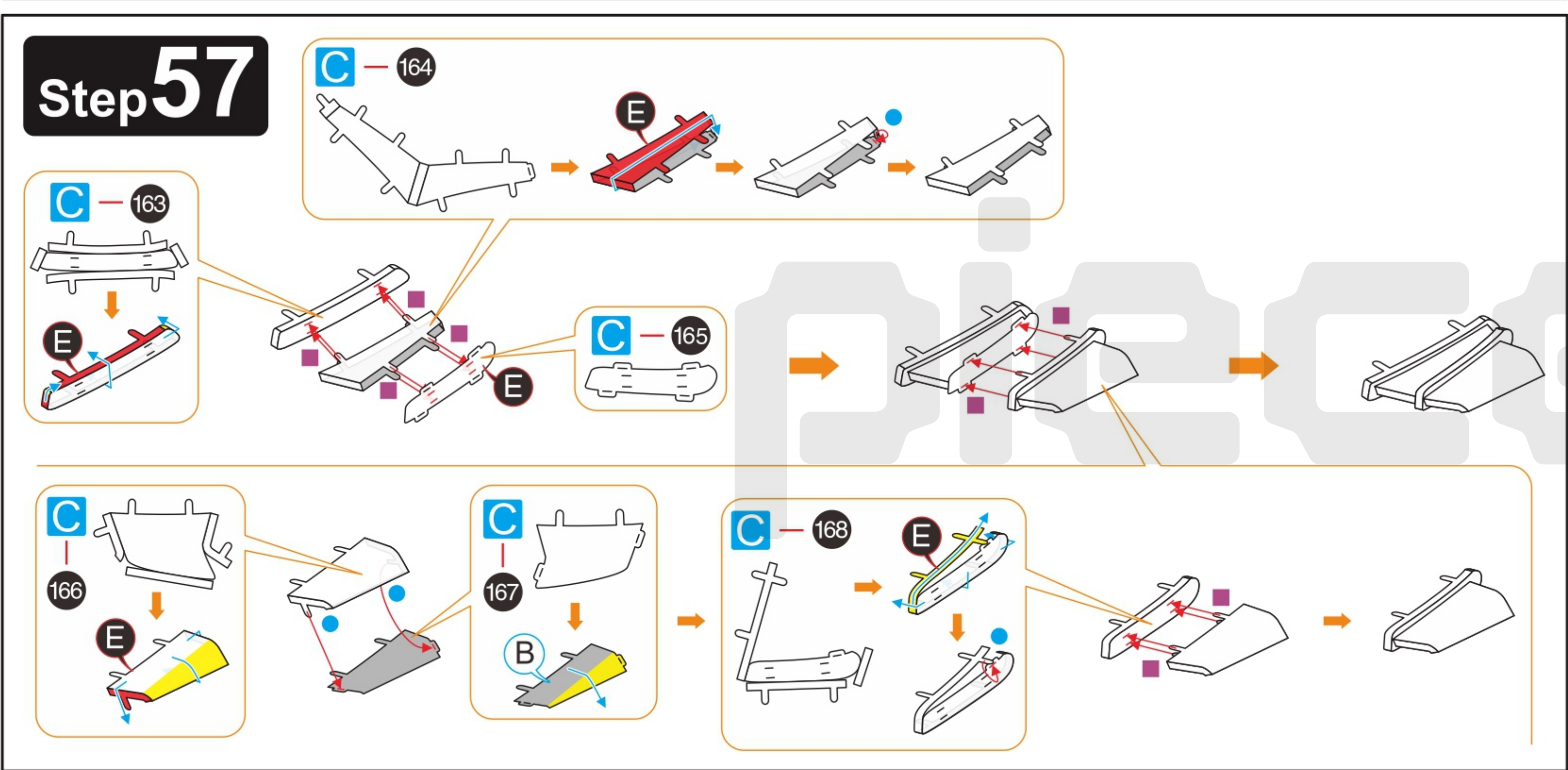
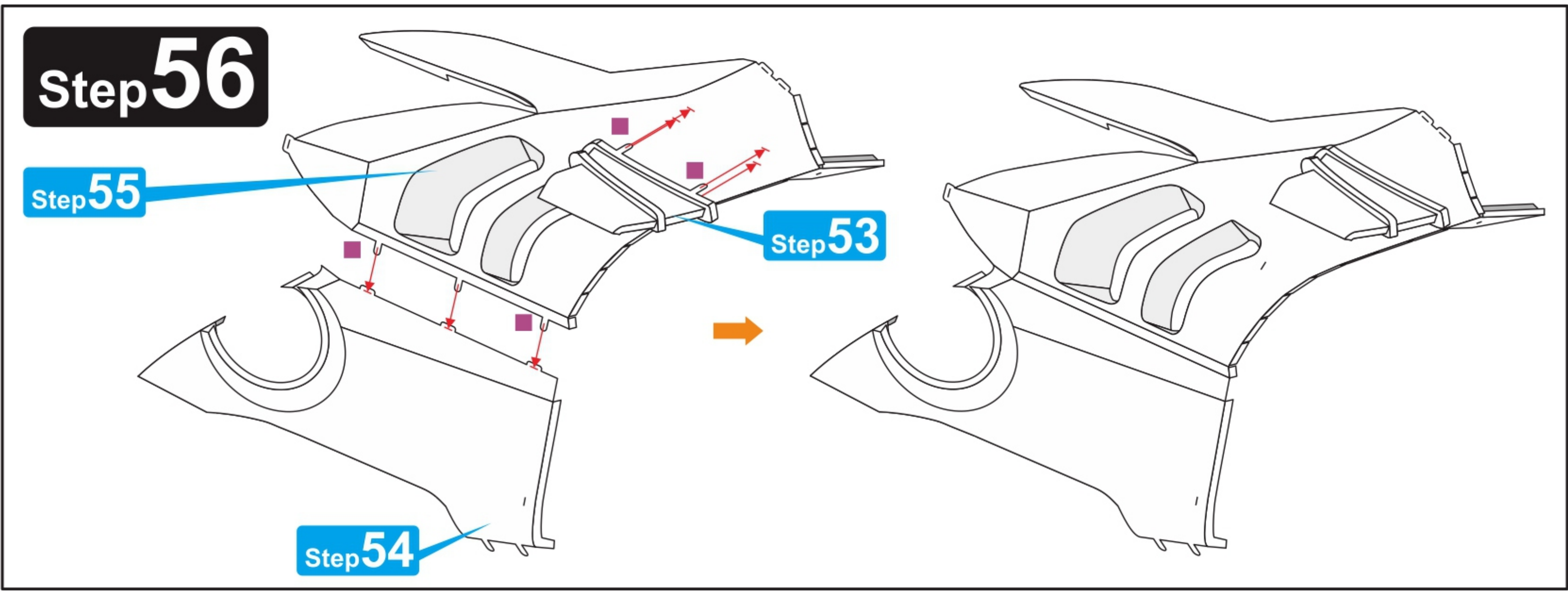




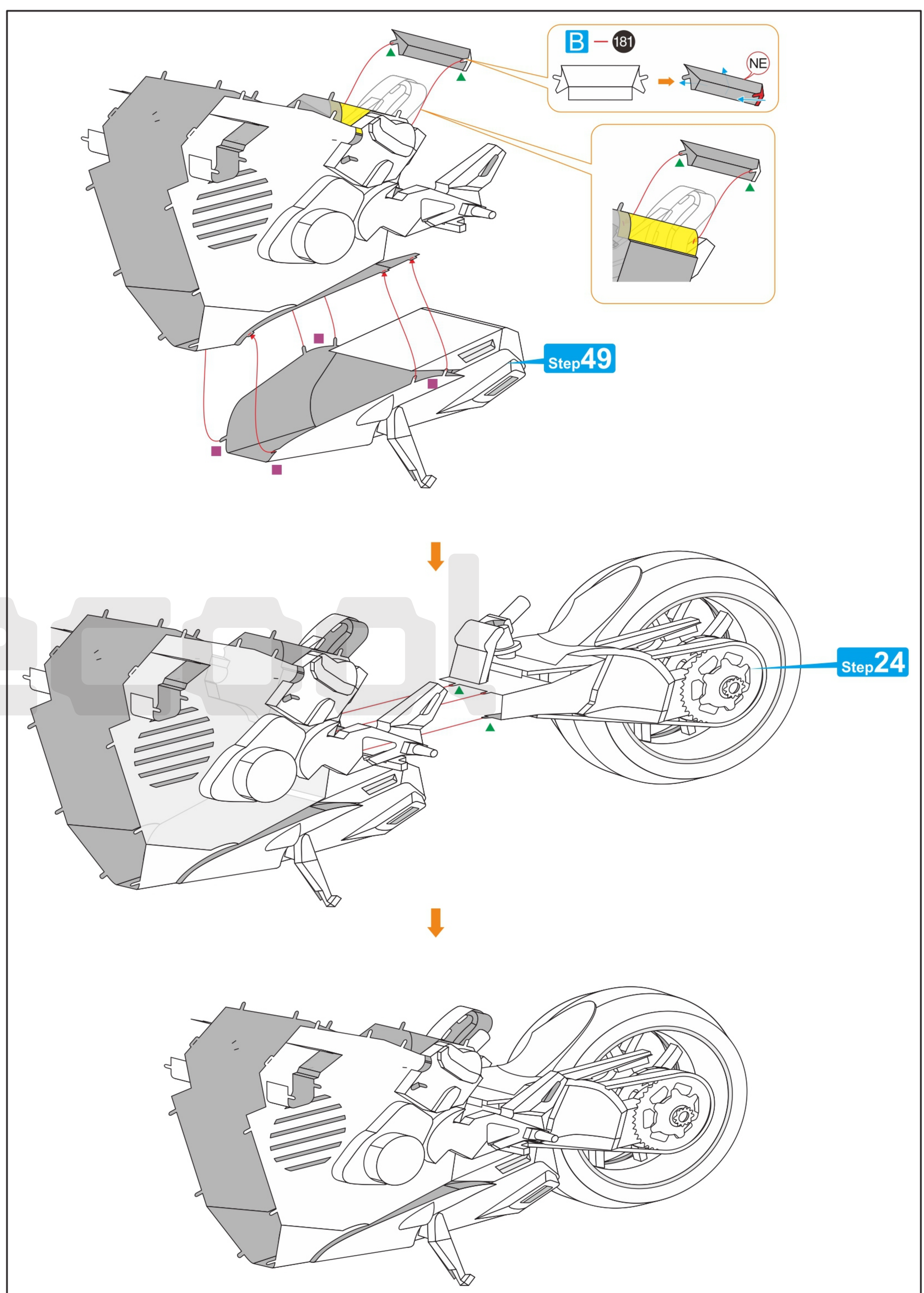
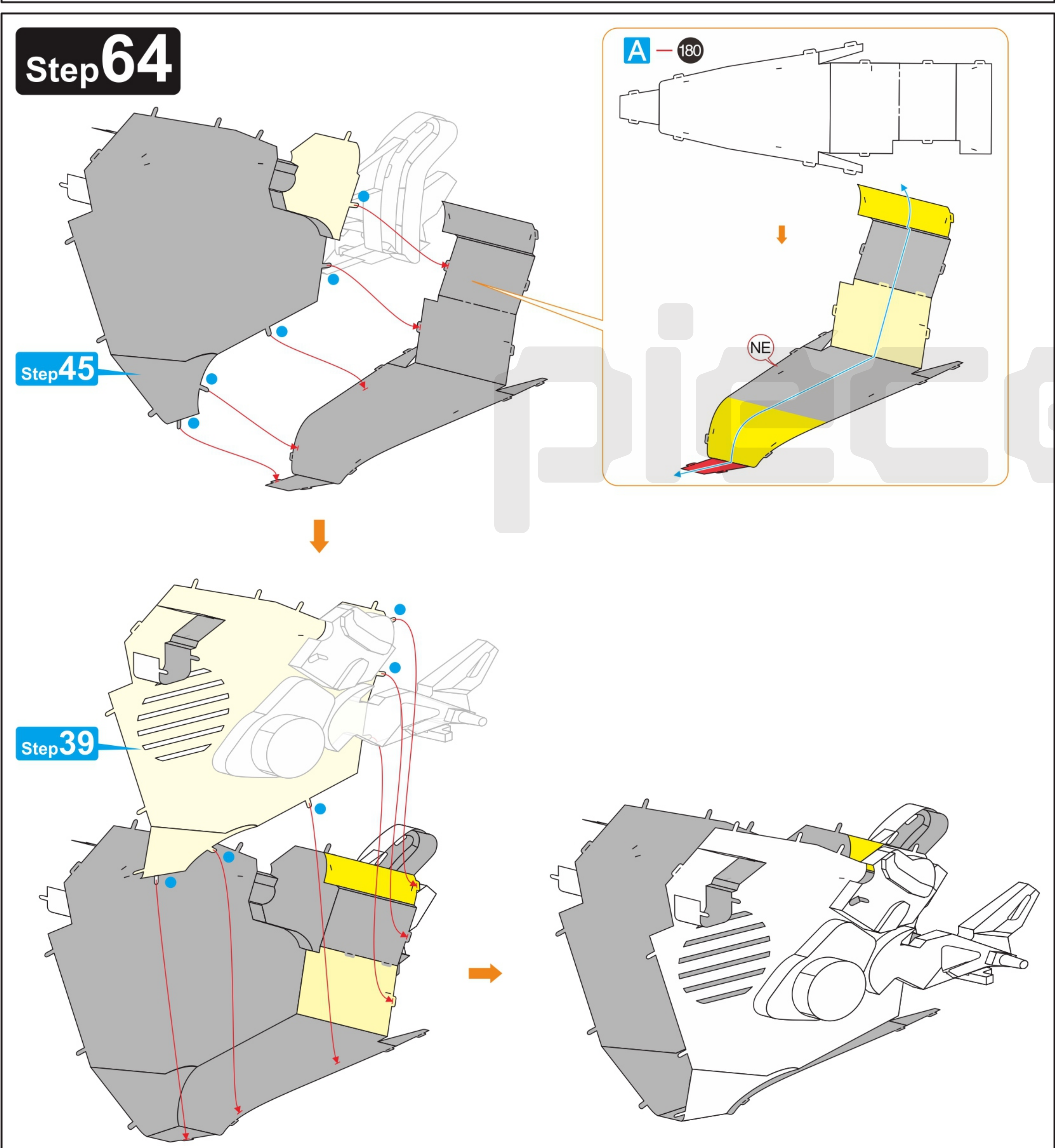
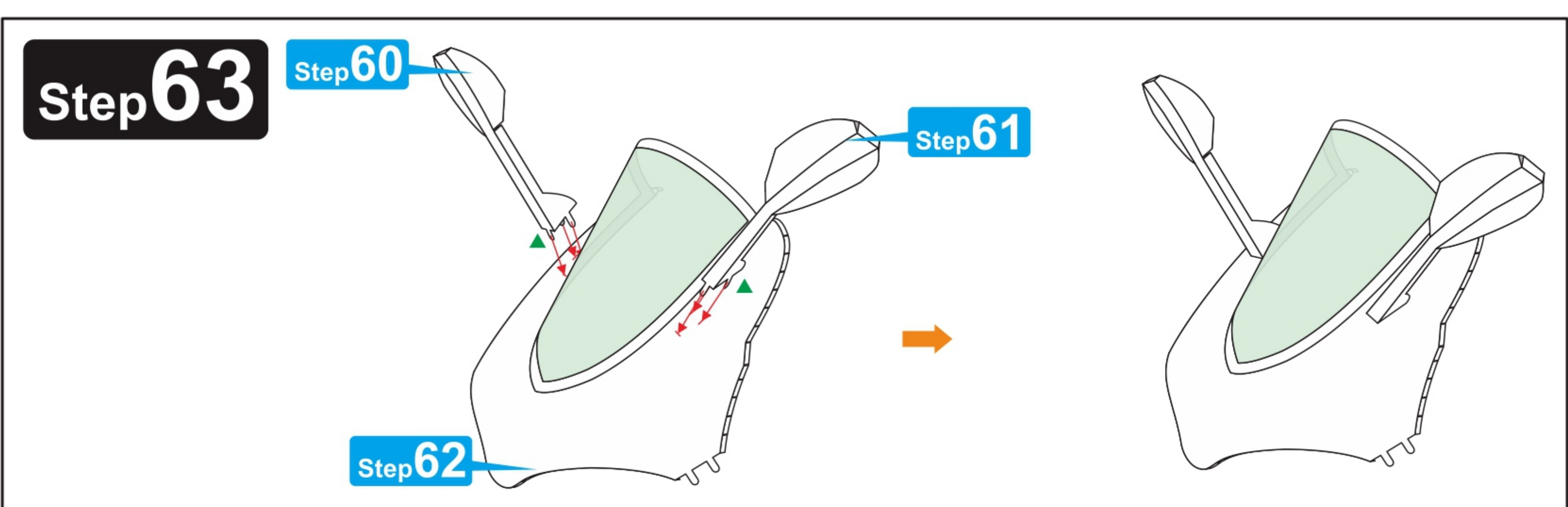
13 14
15 16

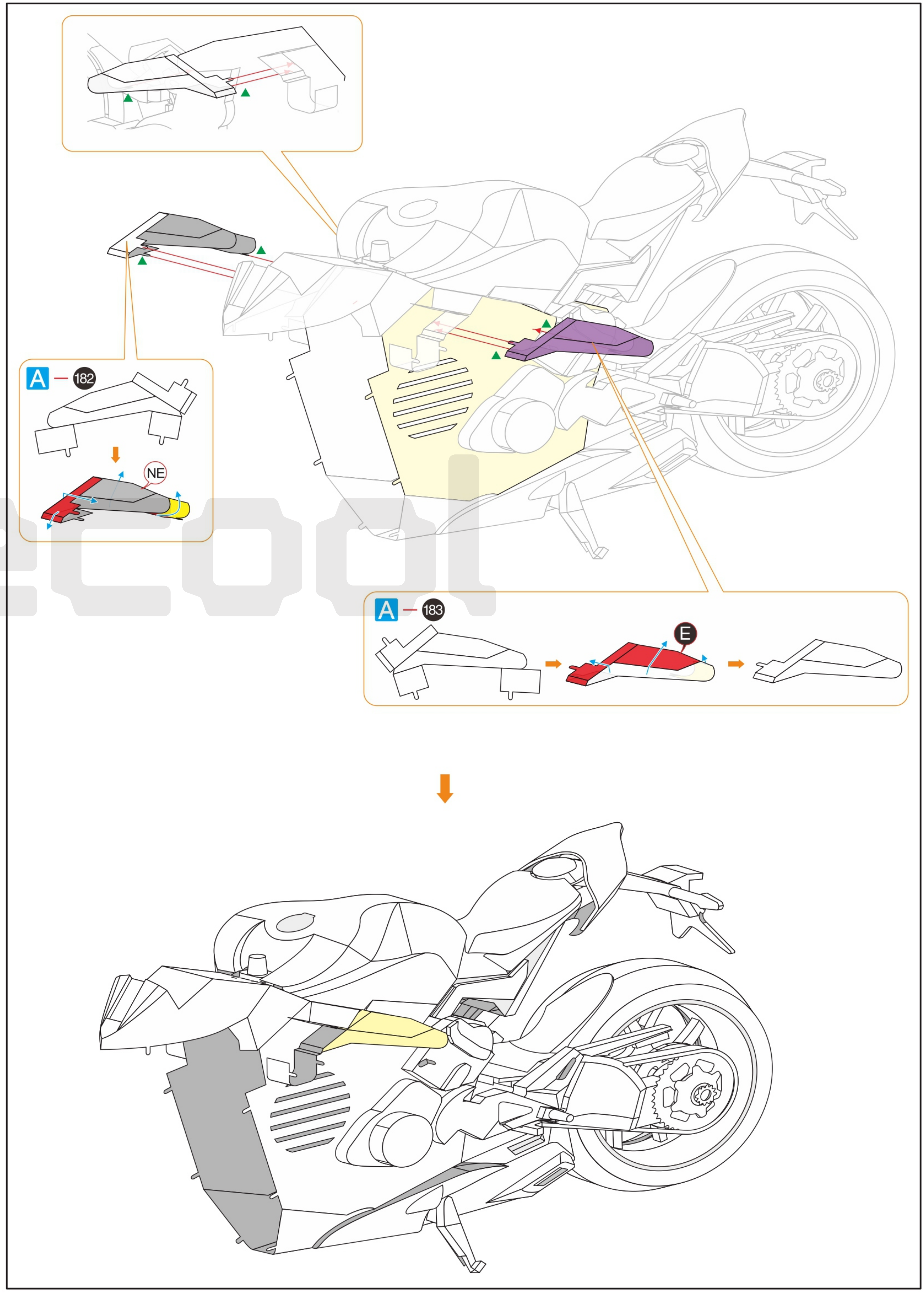
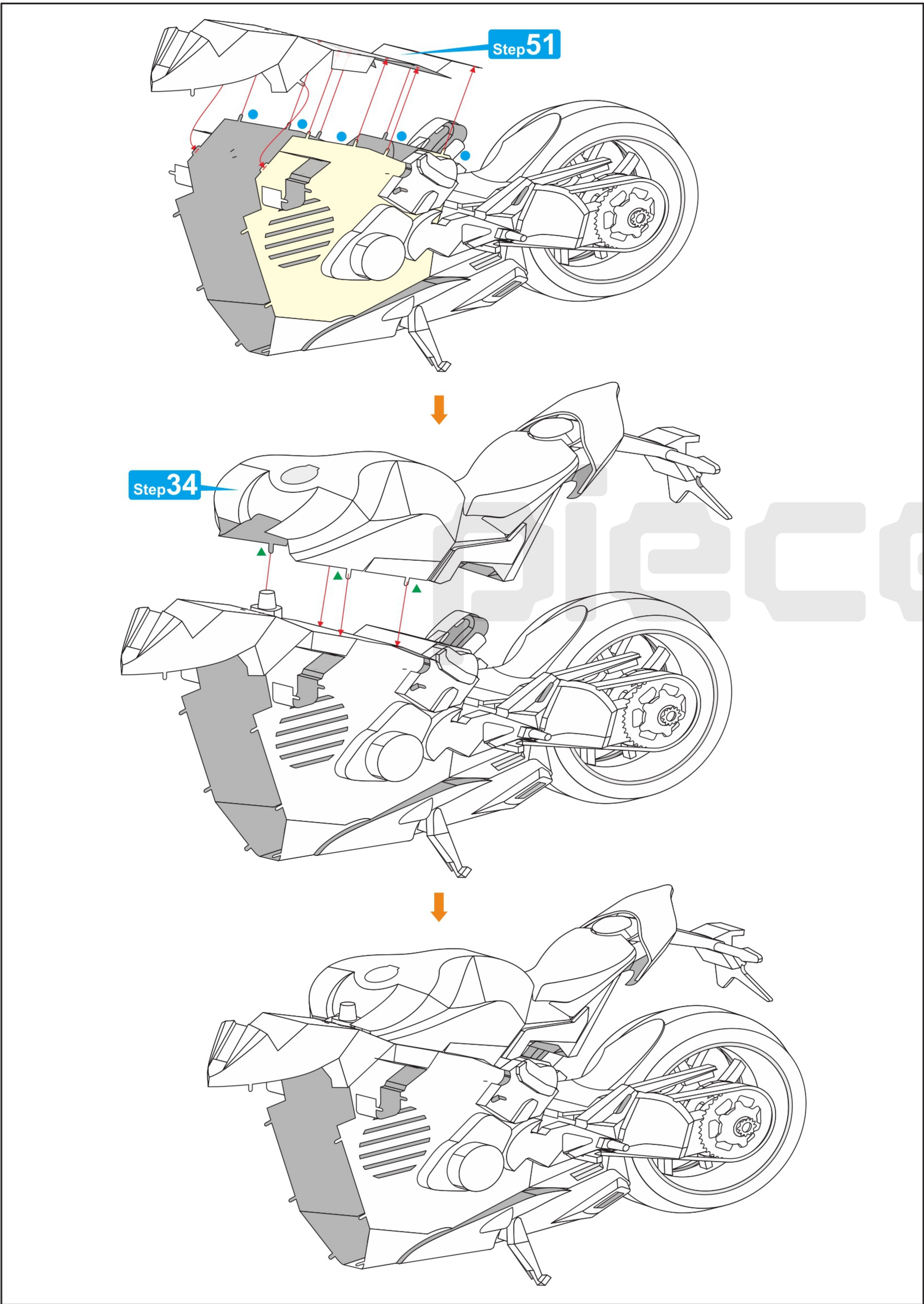




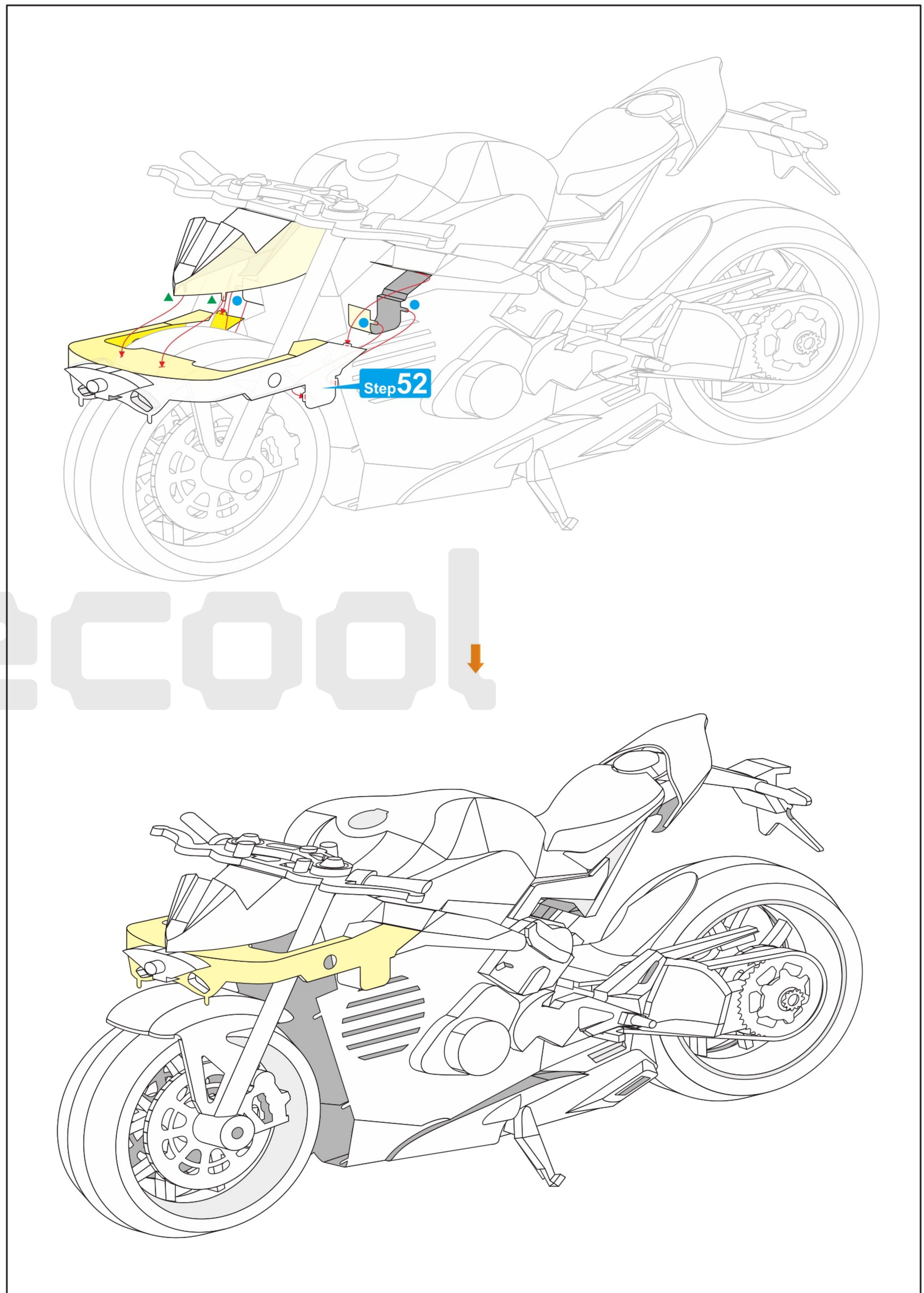
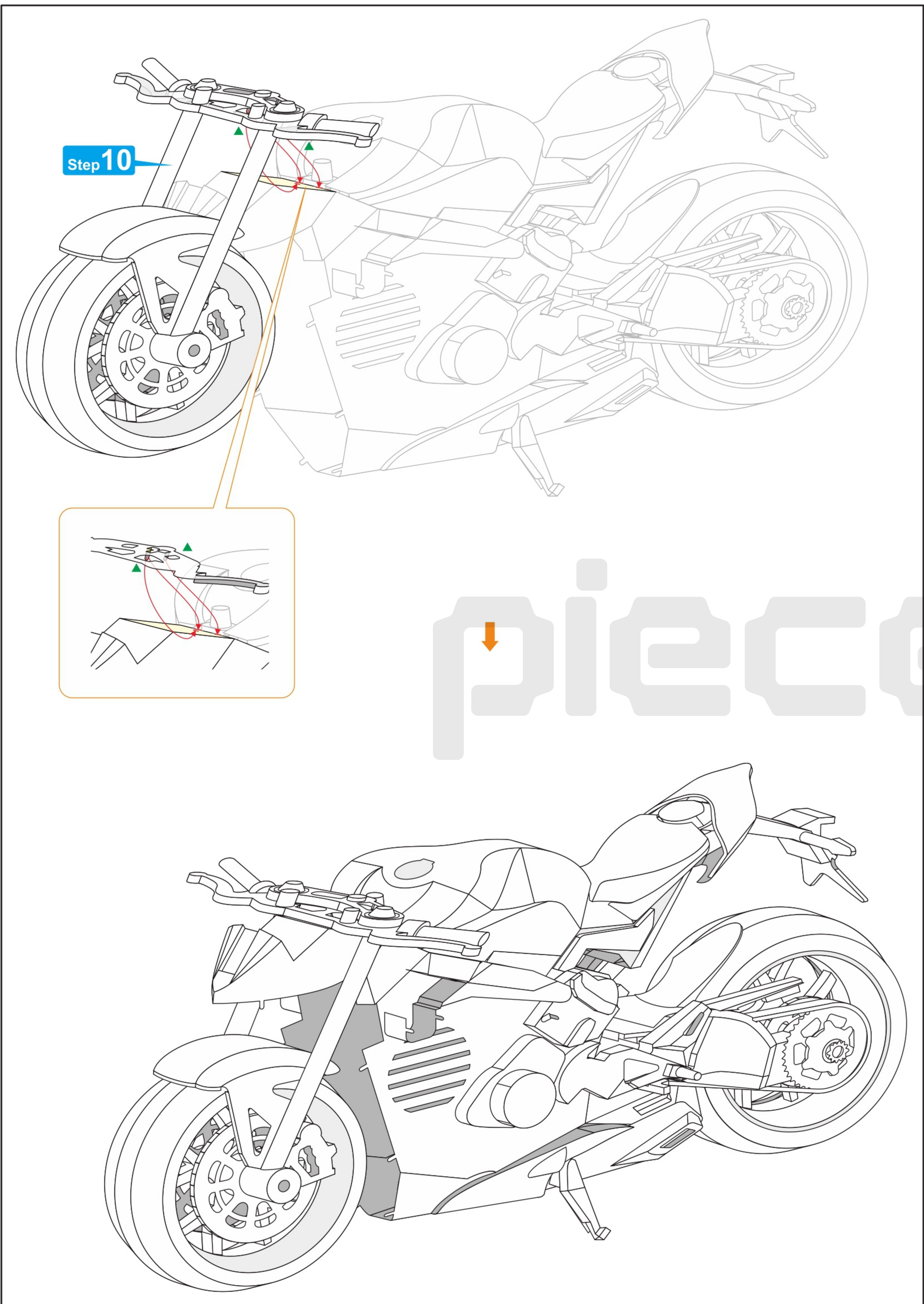


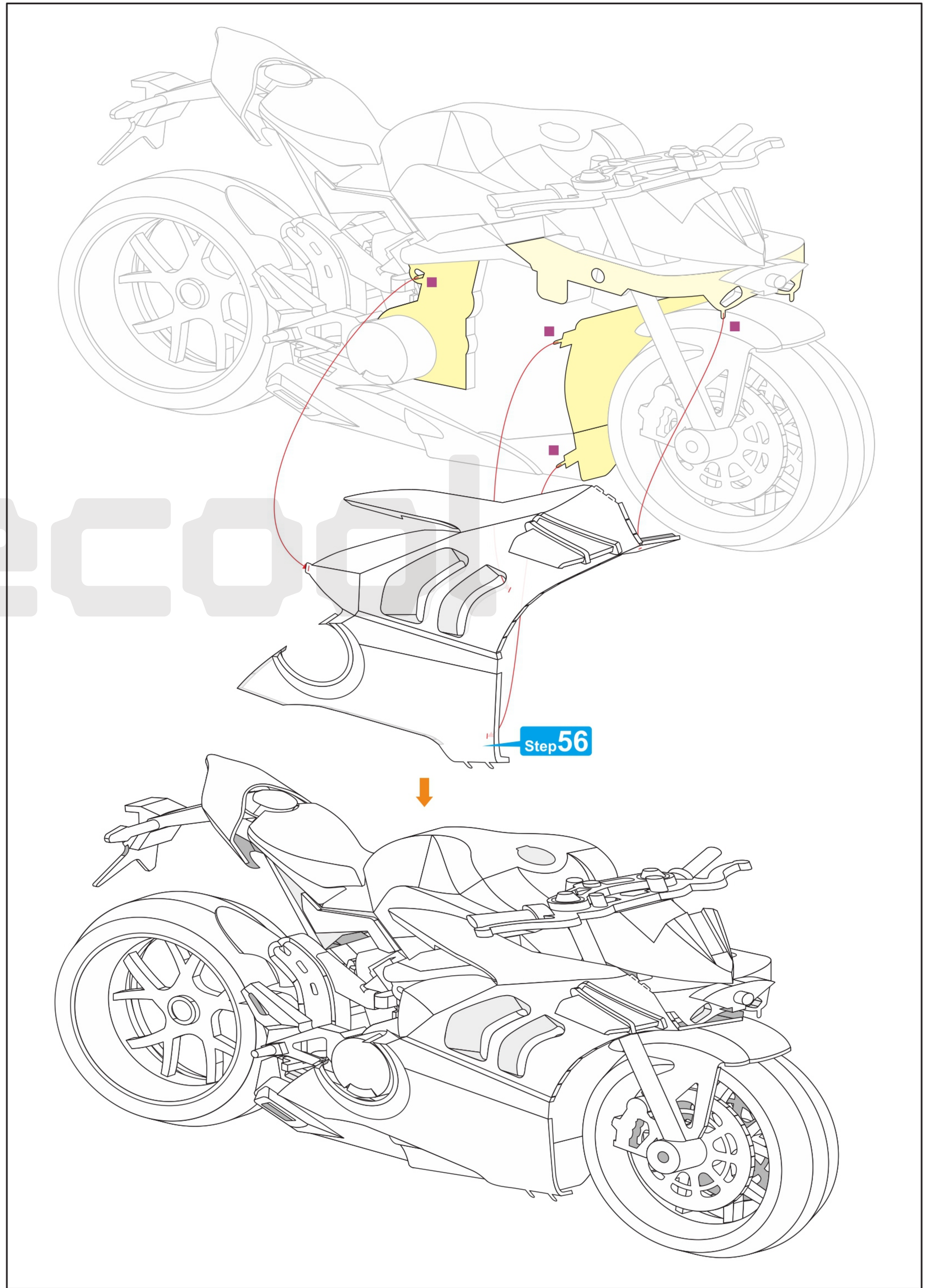
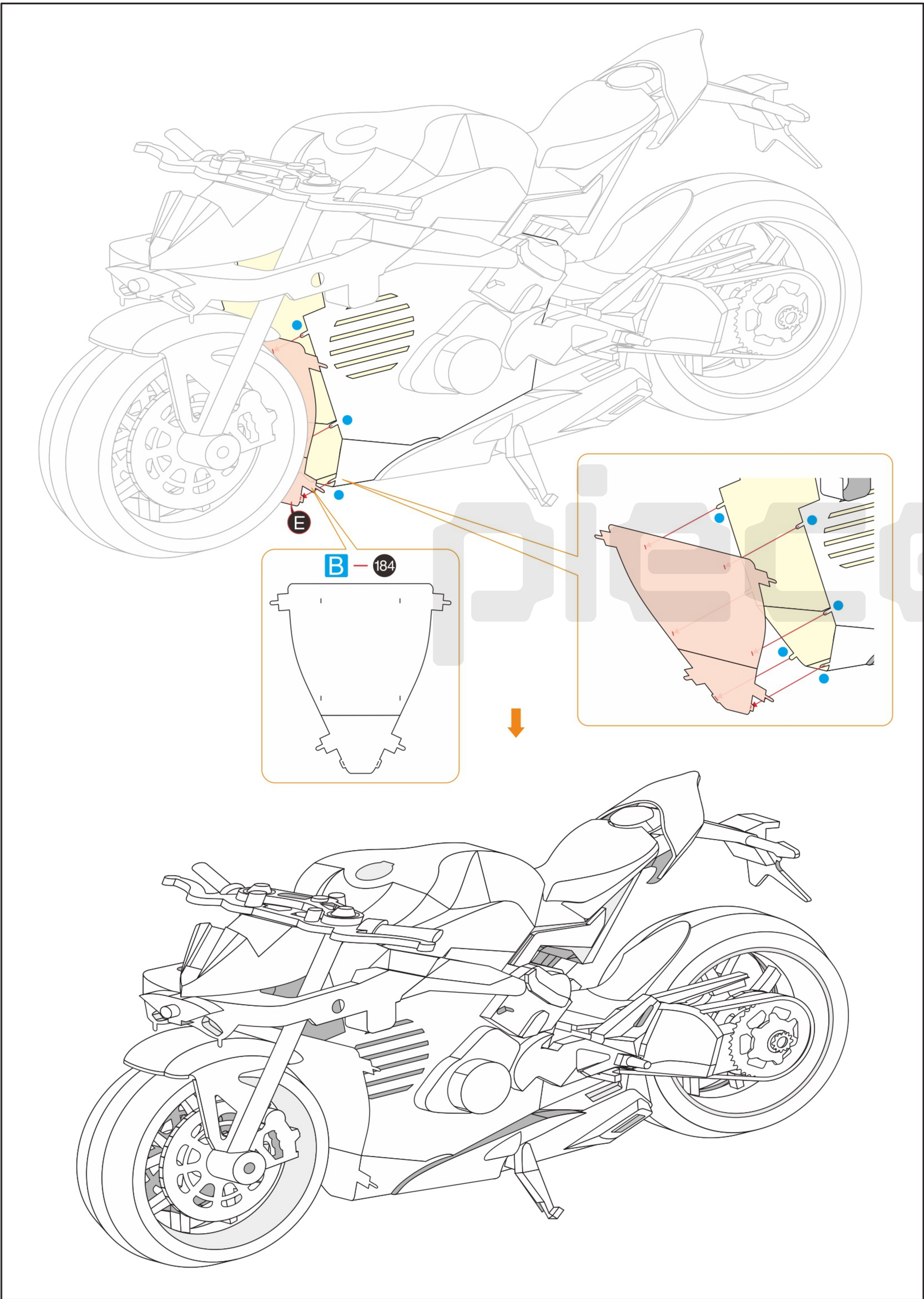
21
22
23
24





25
26
27
28





29 30
31 32

