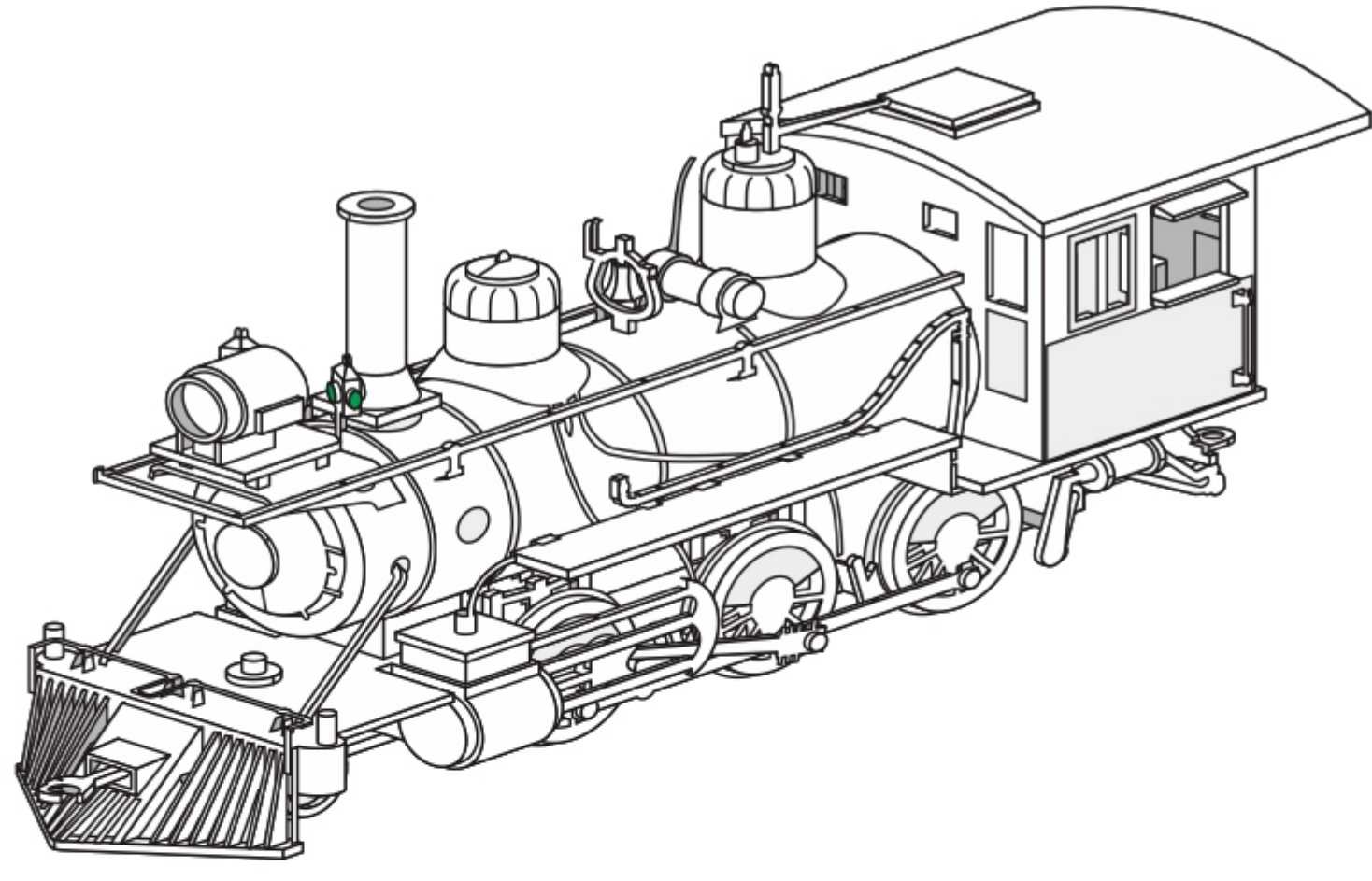


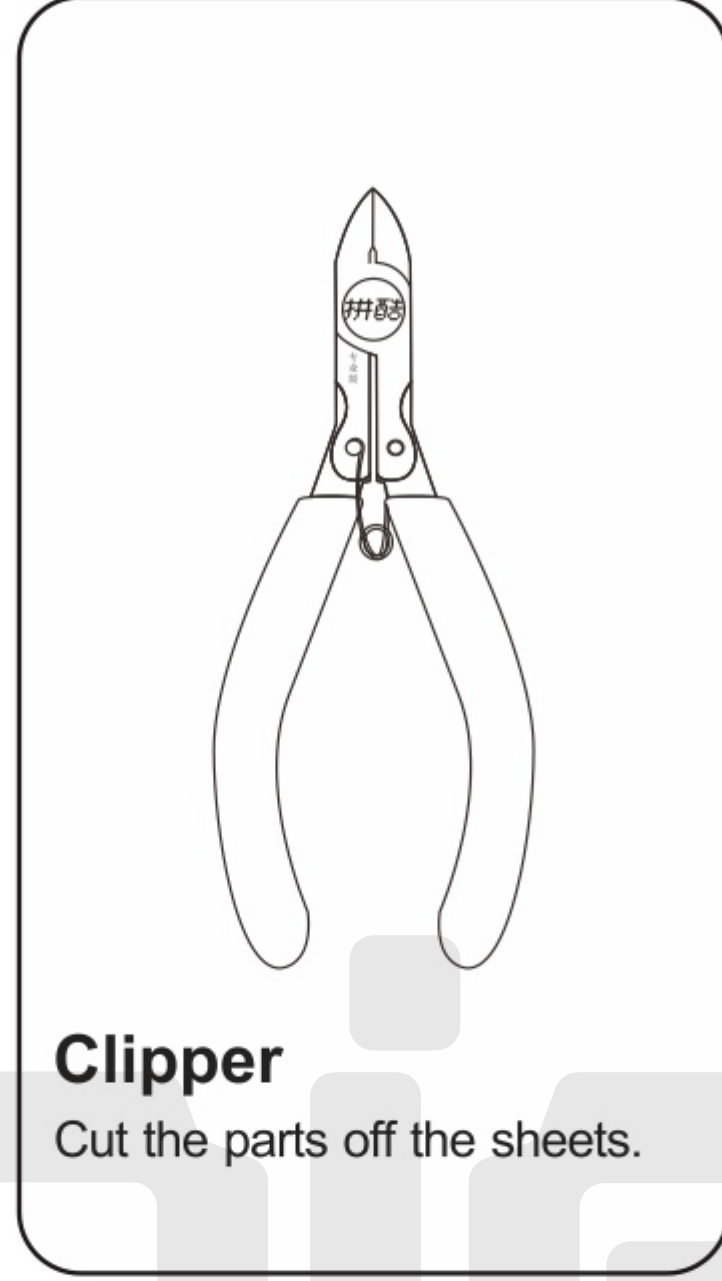
MOGUL LOCOMOTIVE HP290



CP-ASSY-HP290#-A1-20230307

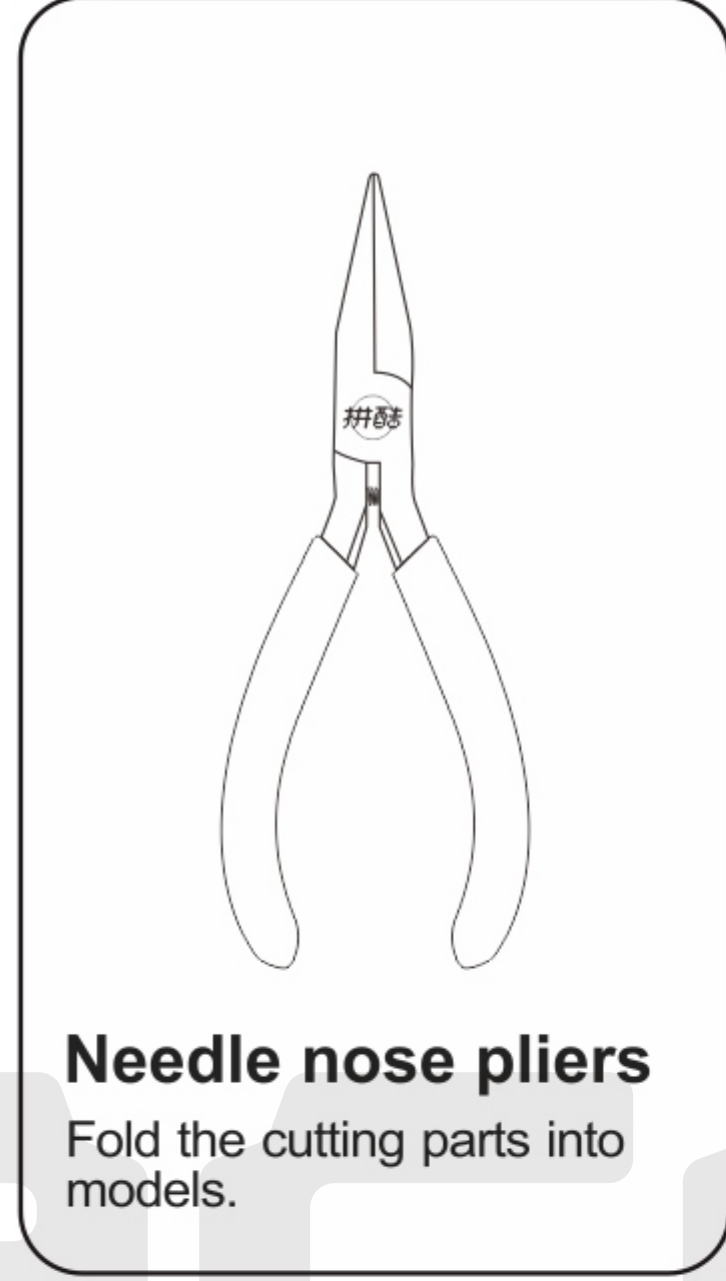
Installation Reminder

- Prepare tools:



Clipper

Cut the parts off the sheets.



Needle nose pliers

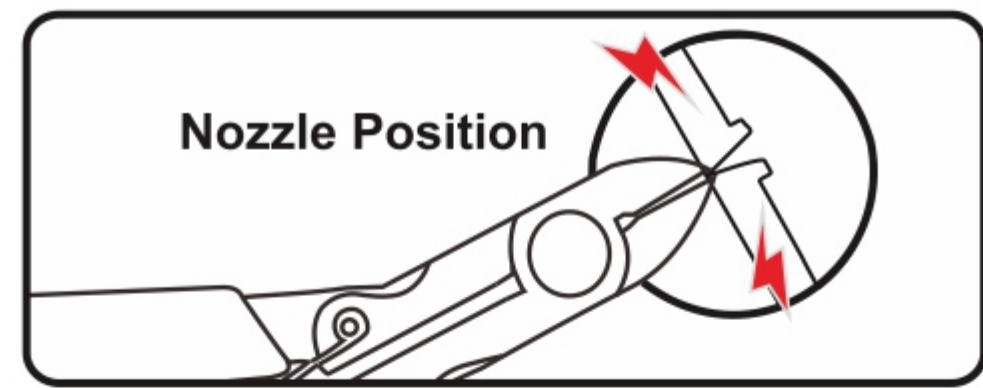
Fold the cutting parts into models.

It is recommended to use piececool authentic assembly tools to build or fix the design. It is tailor made for the metal pieces and user friendly.

WARNING – Please handle metal sheets with care. The parts may have sharp edges that could cut or scratch skin. Keep away from children.

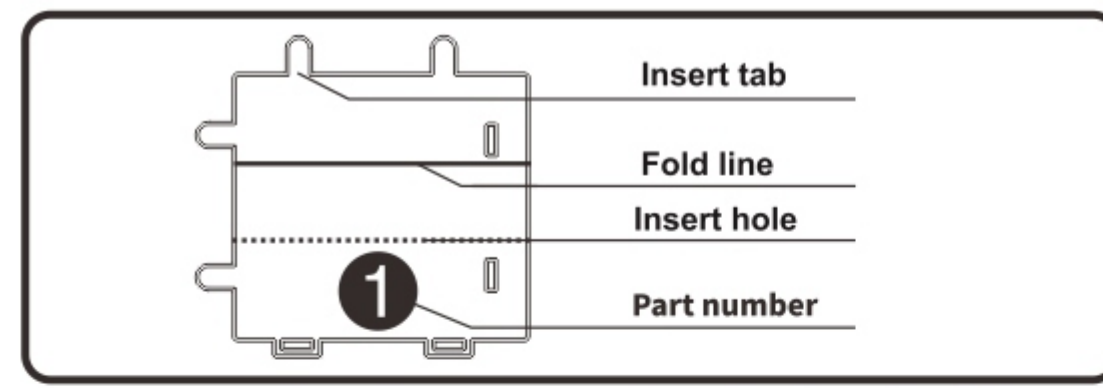
• Installation Method:

a. Remove the parts



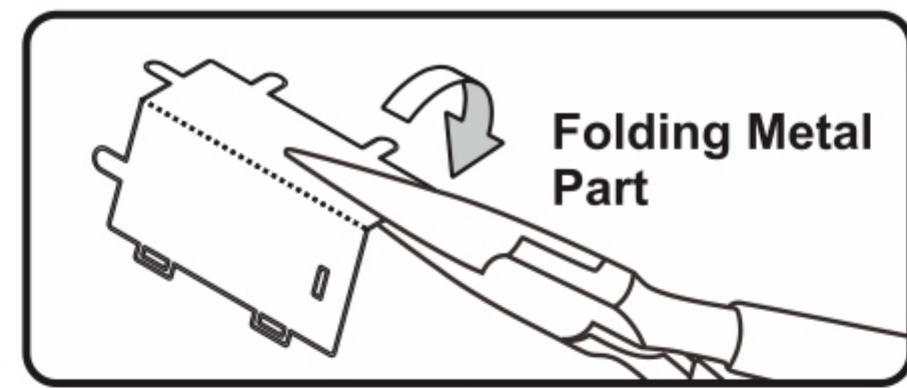
Please use the clipper to cut the nozzle position and remove the parts.

b. Identify the parts



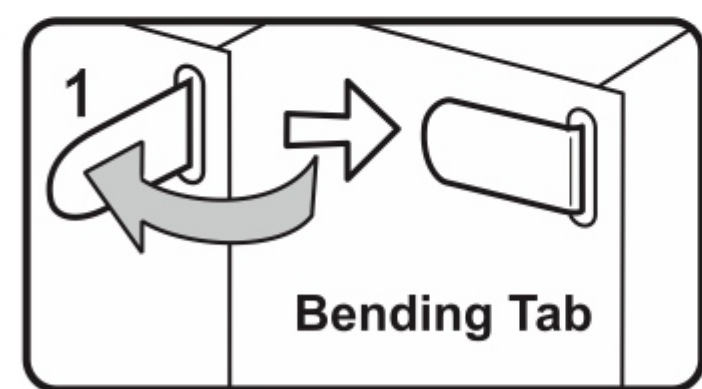
The part number is engraved on the back of the metal sheet. Please identify the insert tab, fold line, insert hole and part number on the metal component.

c. Folding the parts

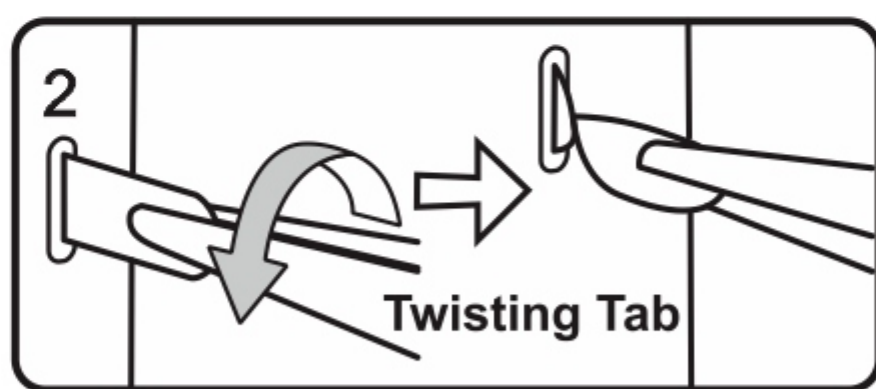


Please use the needle nose pliers to fold the cutting parts into models.

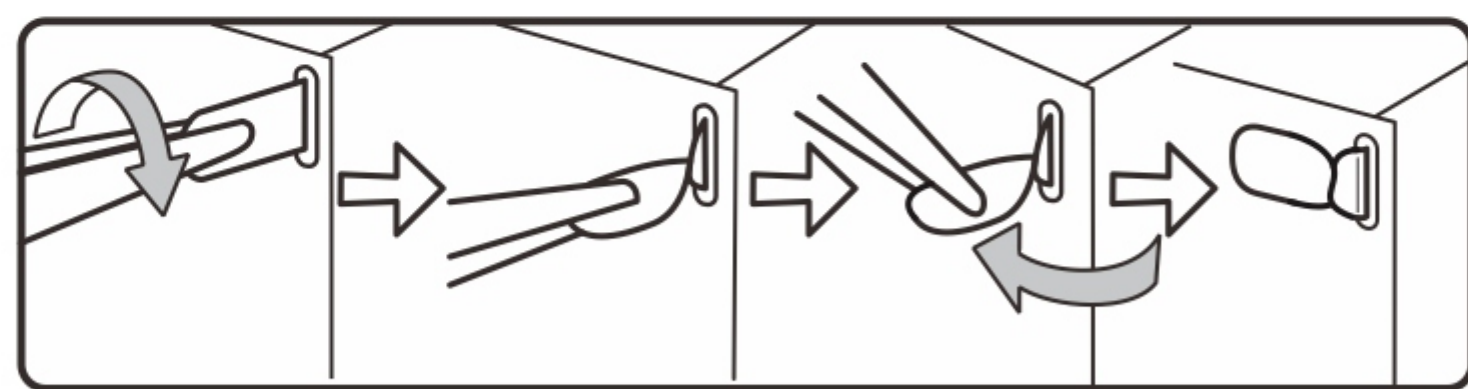
d. Retaining the parts



Bending Tab



Twisting Tab



● Insert the hole, bending tab with angle 90°

▲ Insert the hole, twisting tab with angle 90°

■ Twist the tab and then flatten

• Attention:

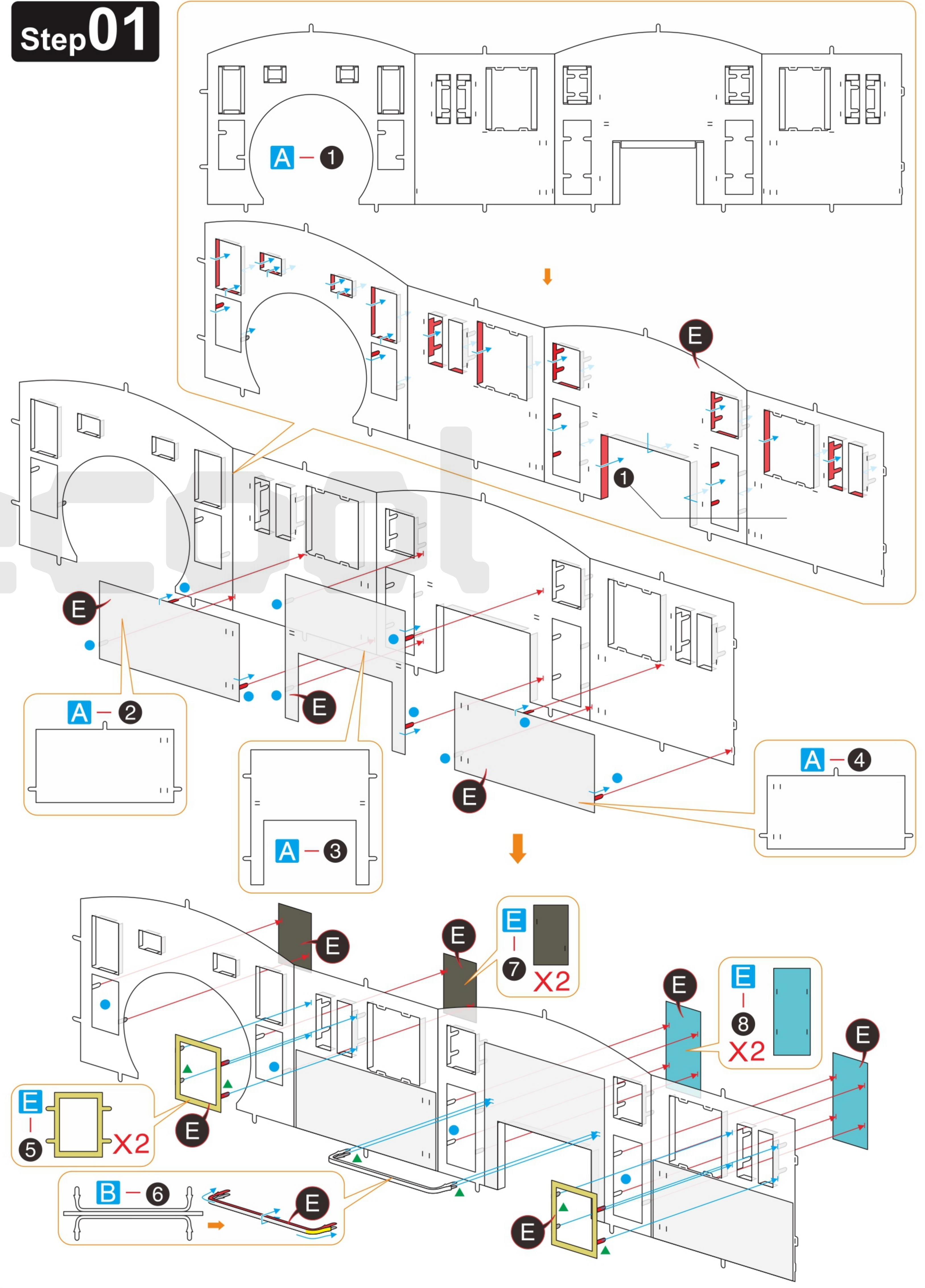
- Engraved / Color side
- Non-engraved / Silver side
- Front part
- Attention Point
- Keep the parts symmetrical
- Note that the colour and texture are not on the same side

When cutting metal parts, please do not cut the "insert tab" as "nozzle position". Only cut the parts of the current step when cutting the parts. Do not cut all the parts at one time to avoid loss.

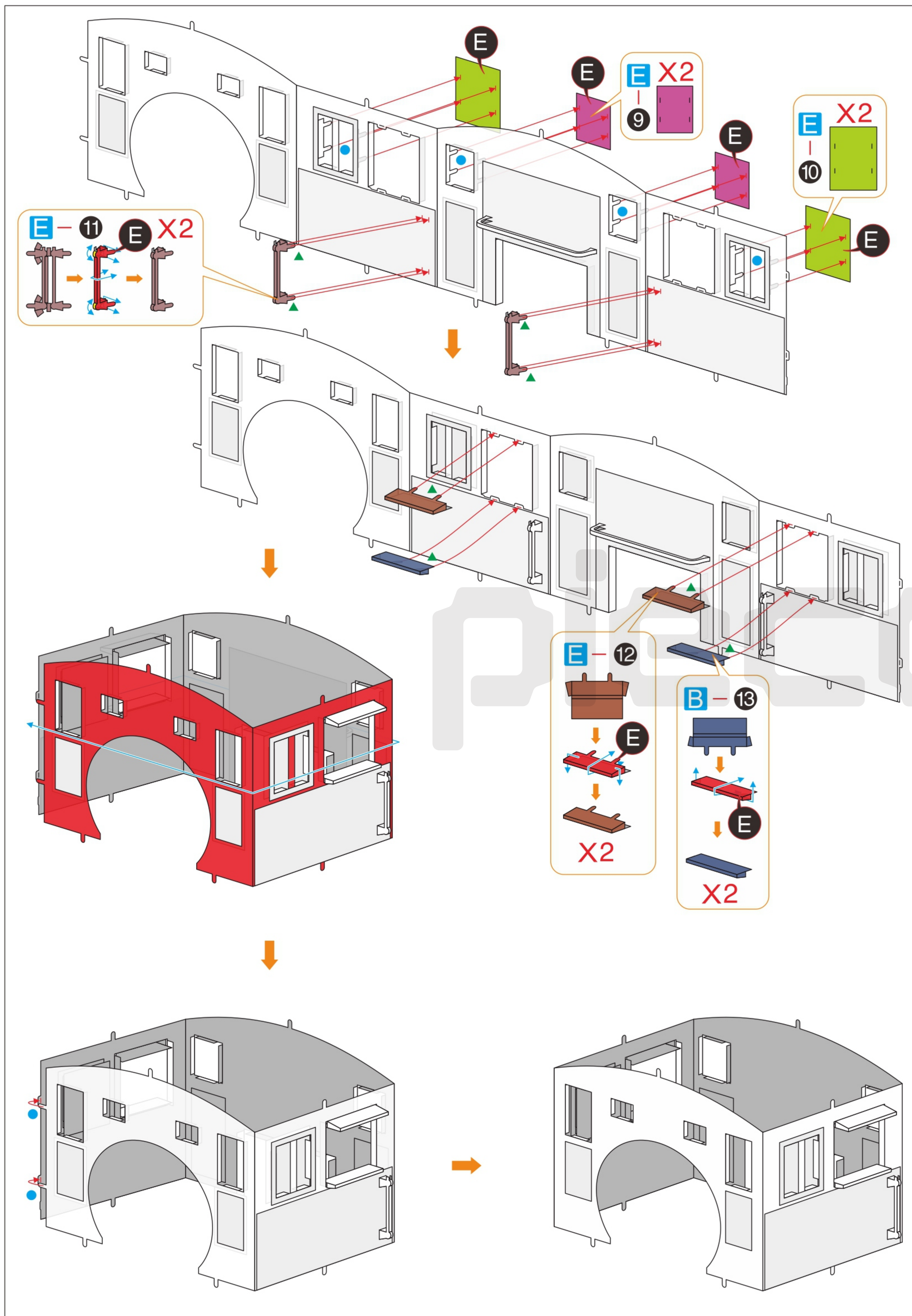
When encountering the parts of the folding line, please pay attention to the front and back of the metal sheet and the direction of the folding. According to the direction indicated in the instruction, cut lightly and fold slowly. It is best to fold it once. Do not fold it repeatedly to avoid damage to the parts.

Assembly Guide

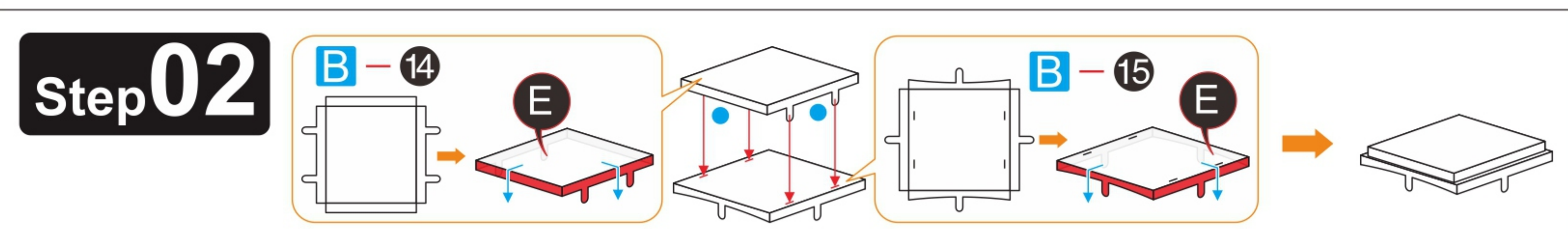
Step 01



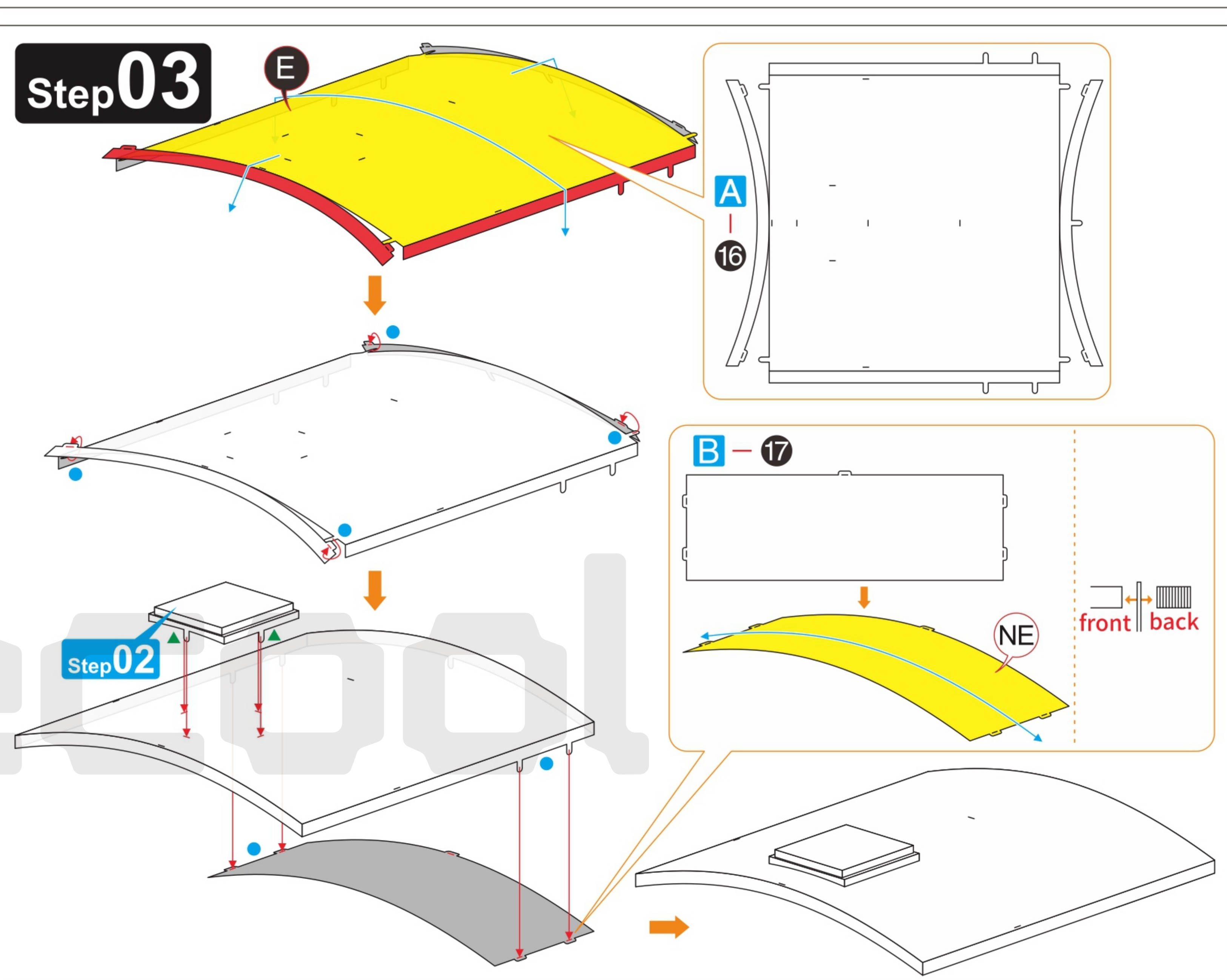
1 2
3 4



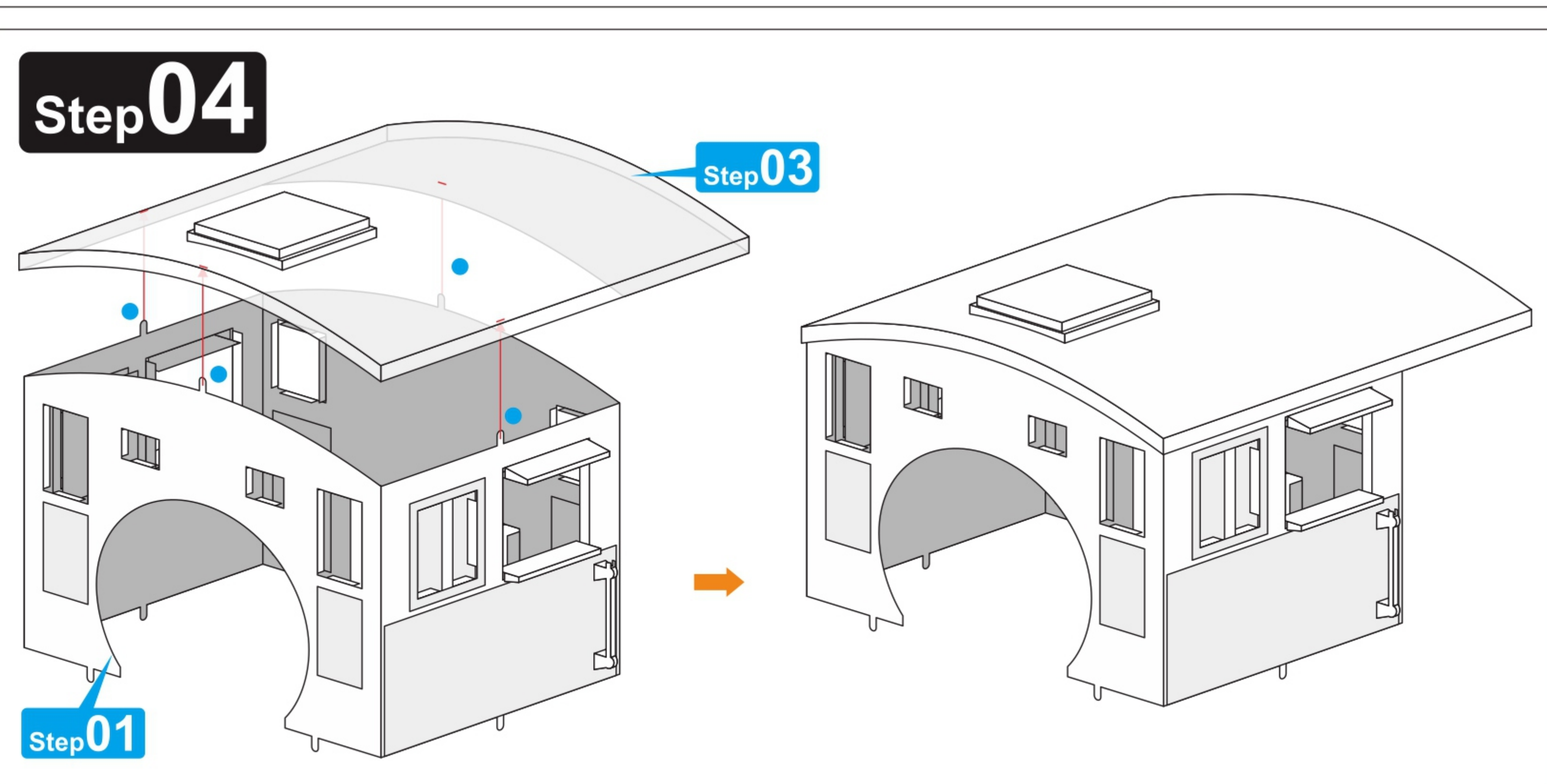
Step 02



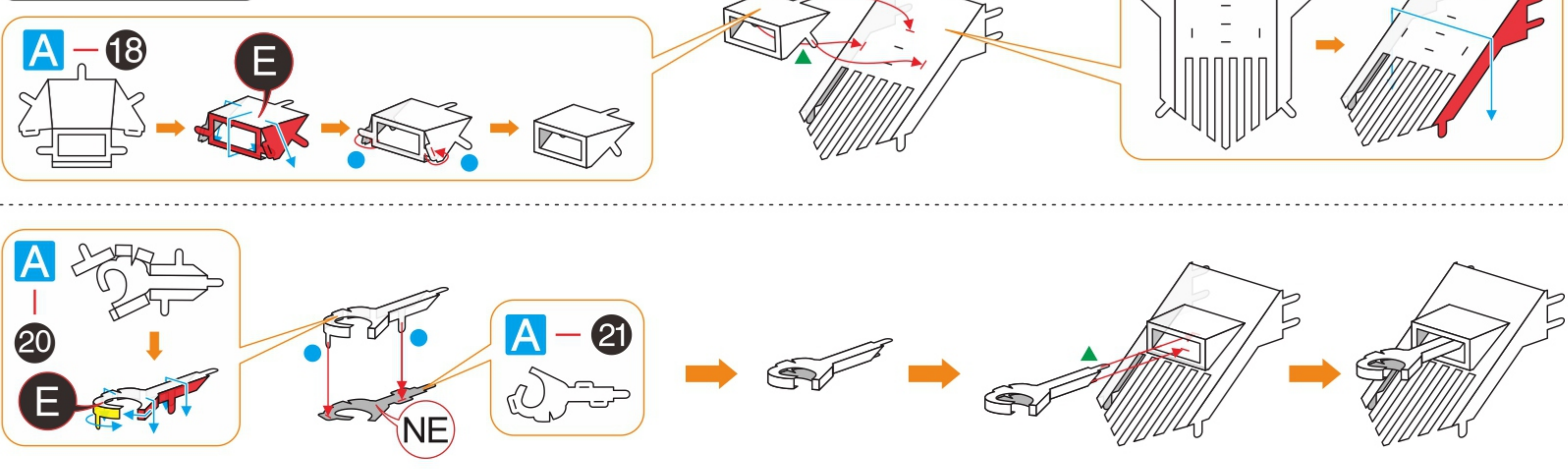
Step 03



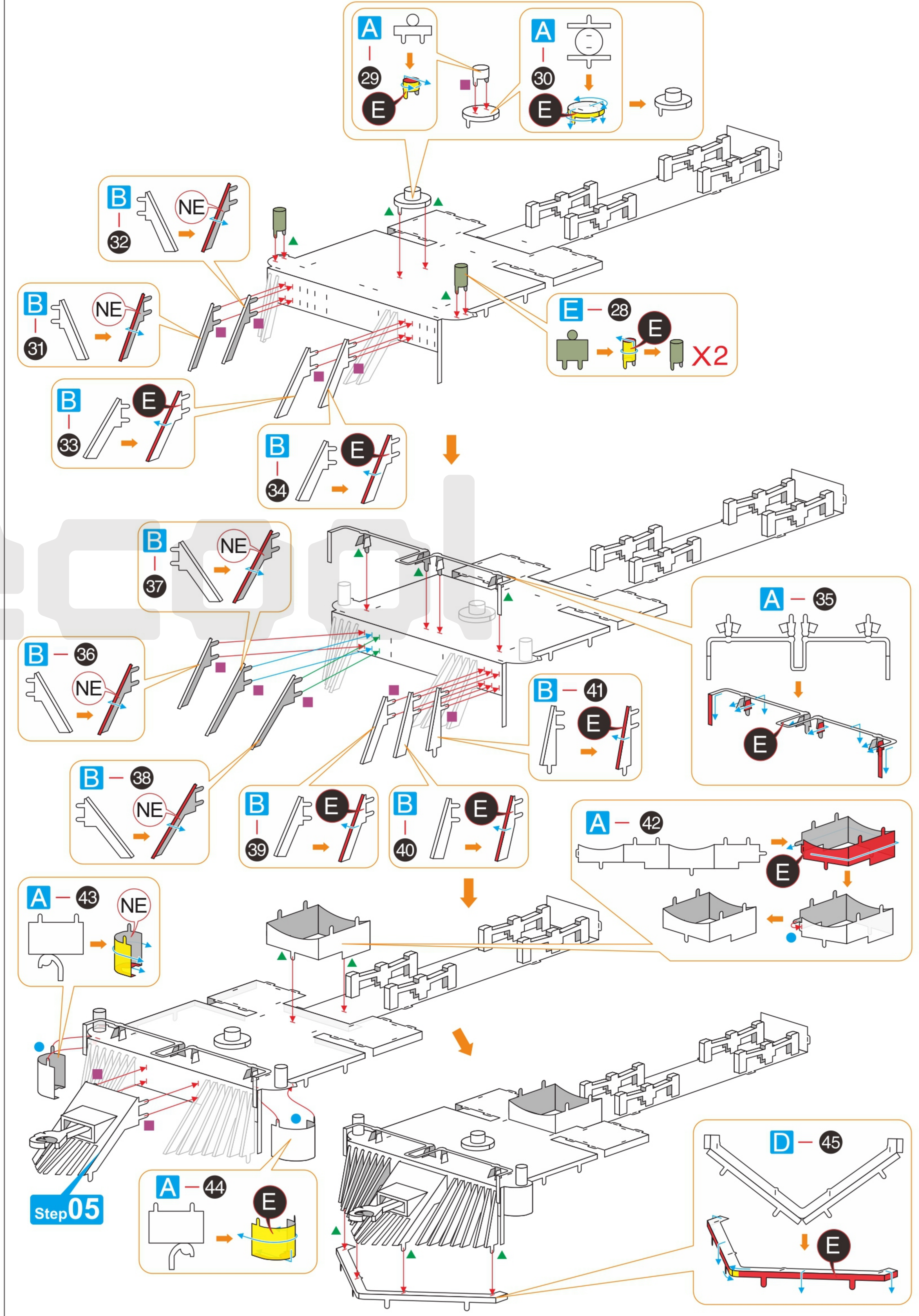
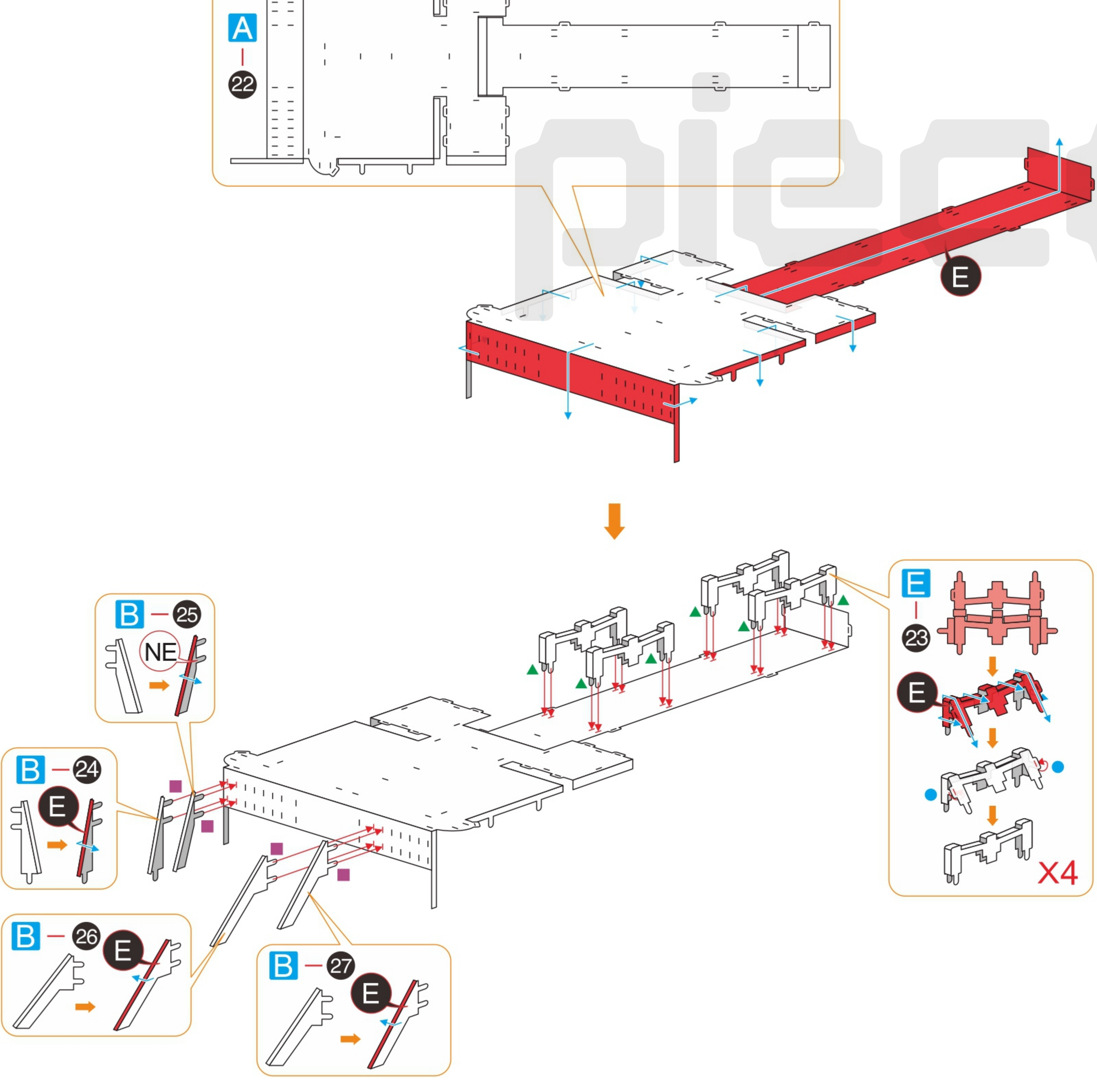
Step 04



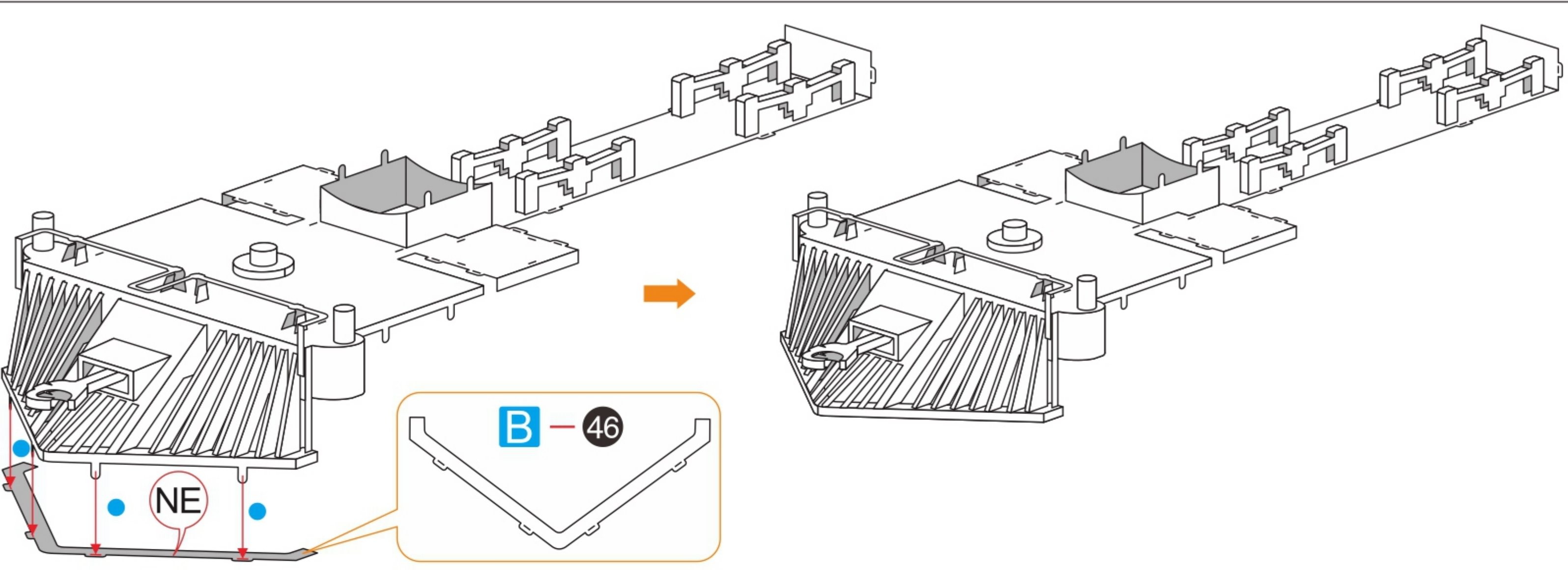
Step 05



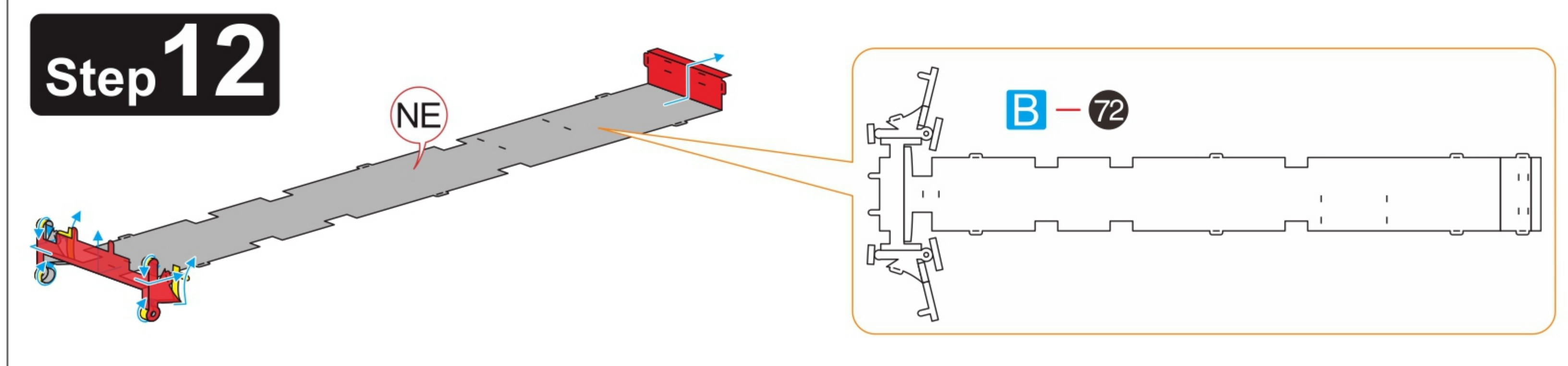
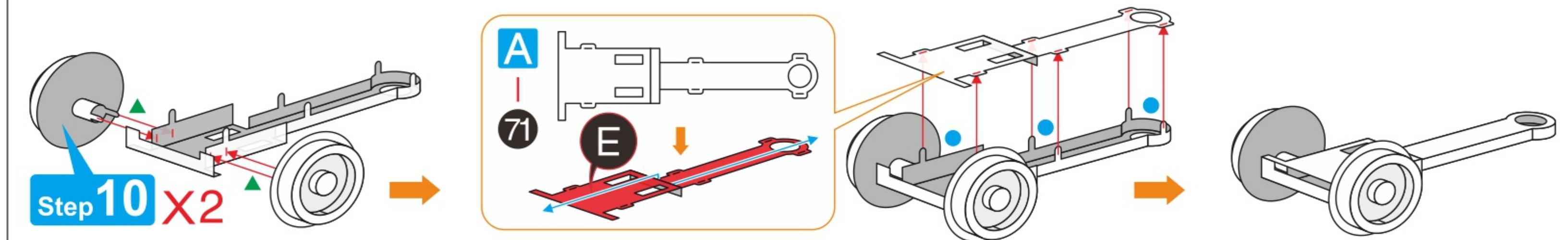
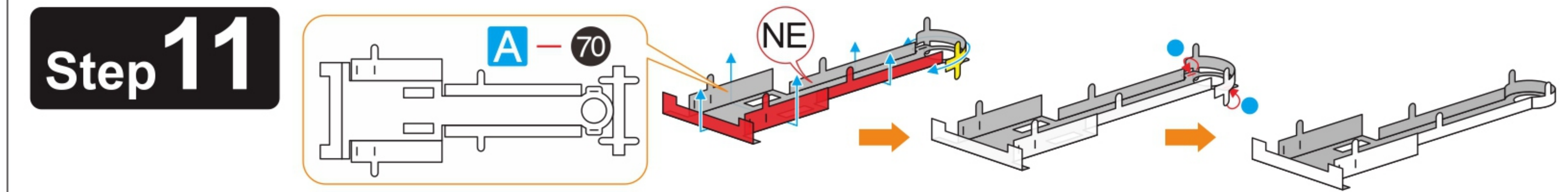
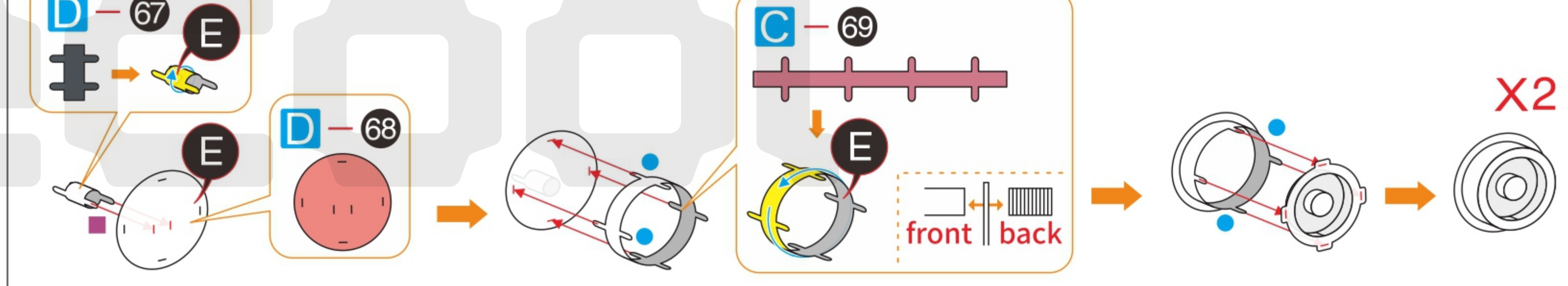
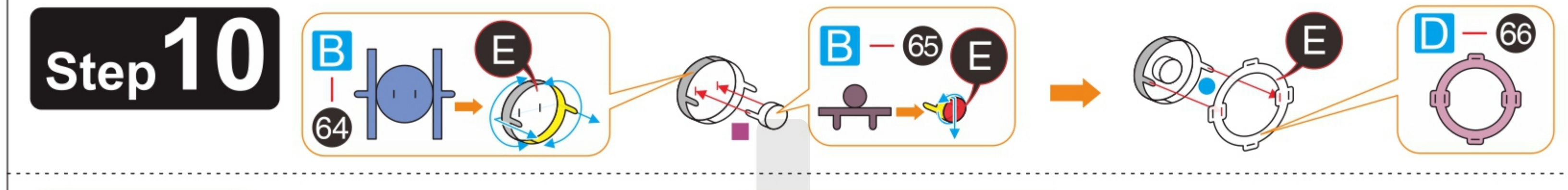
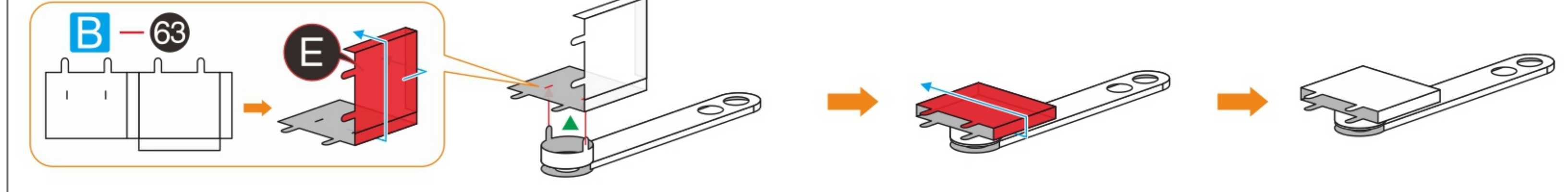
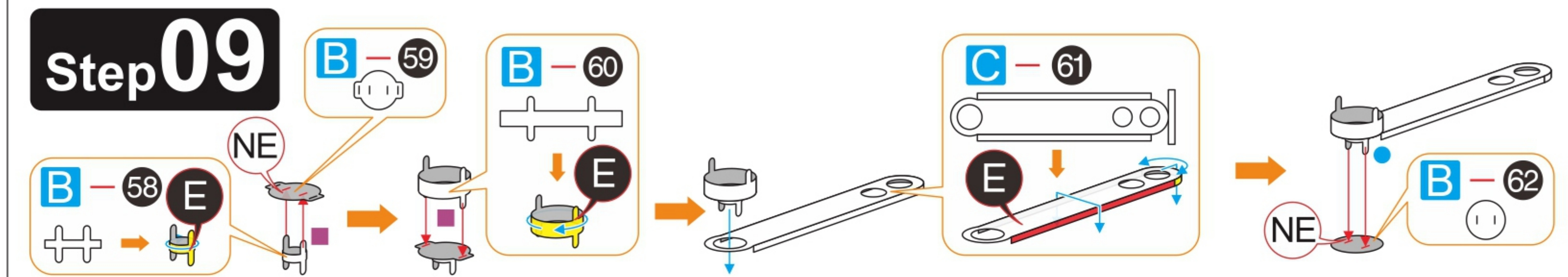
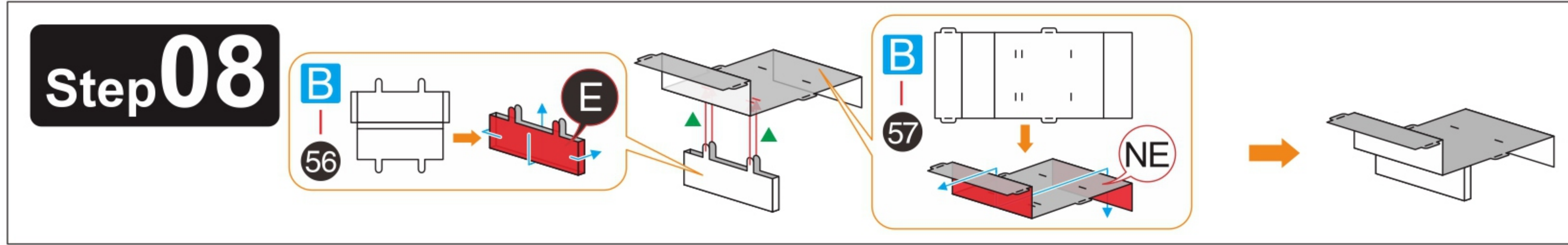
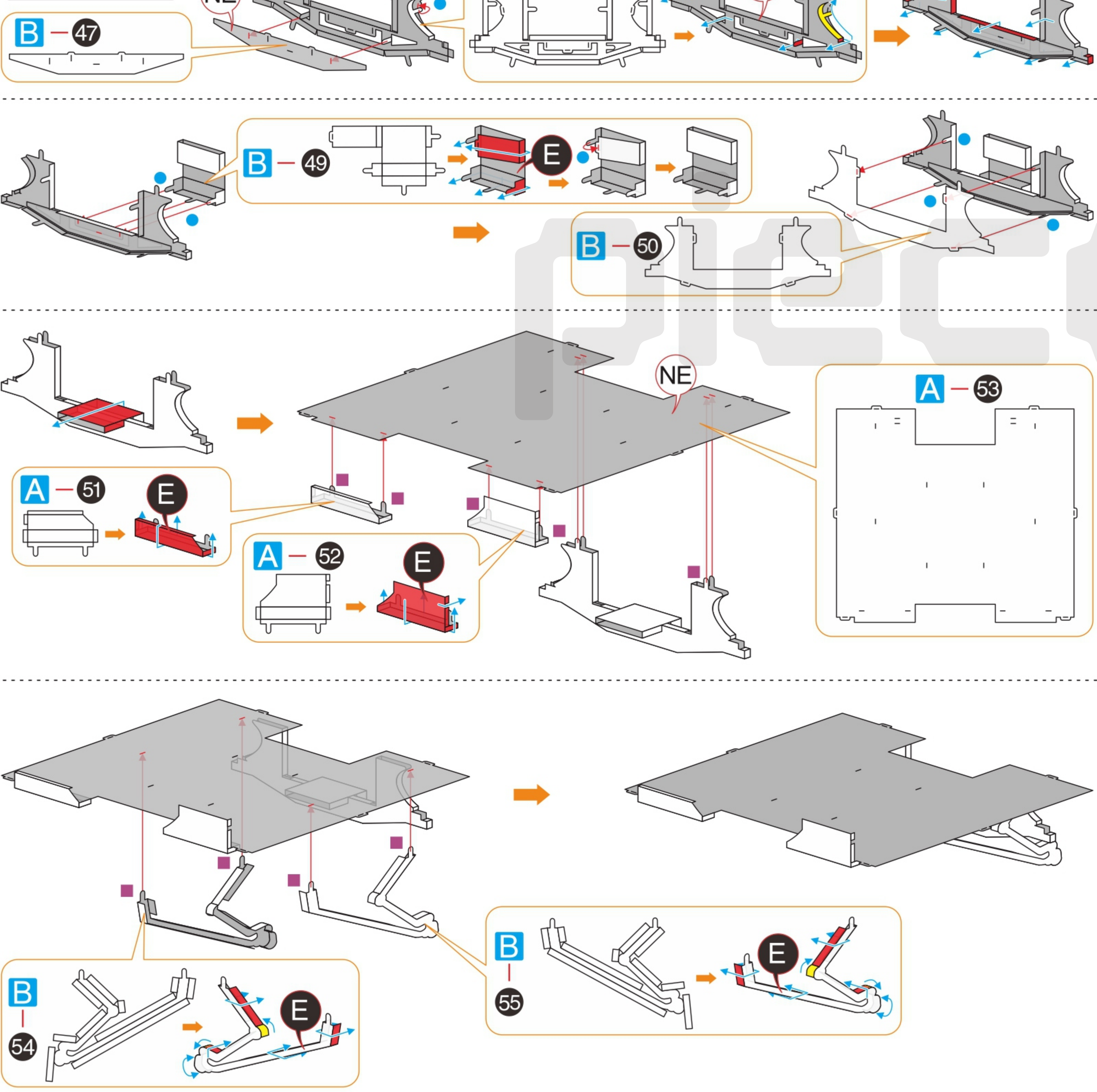
Step 06

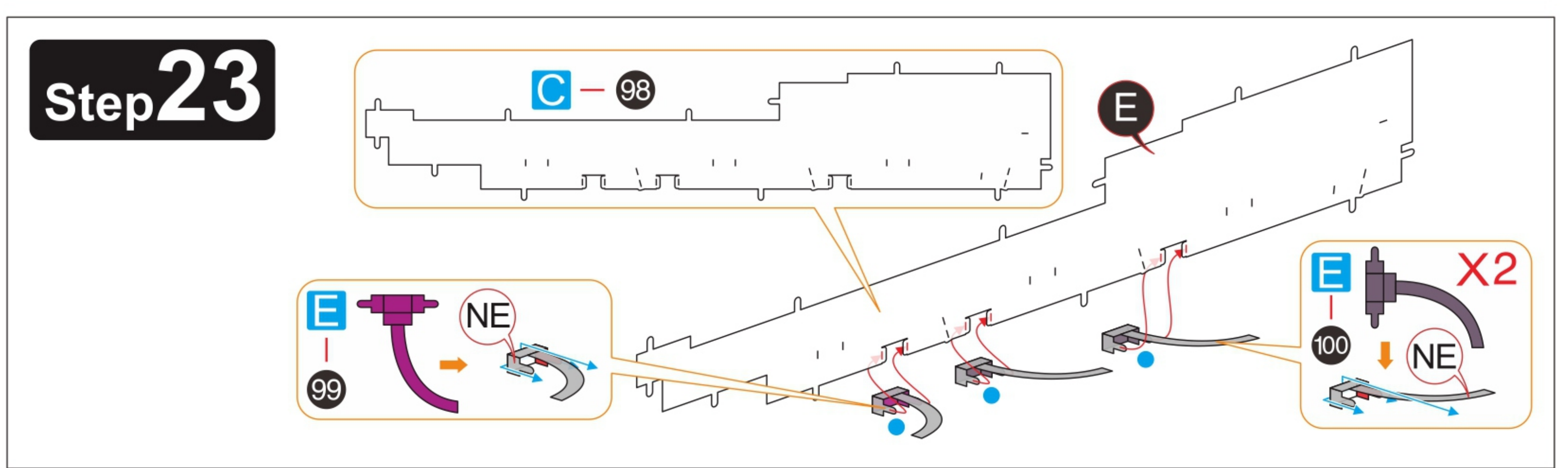
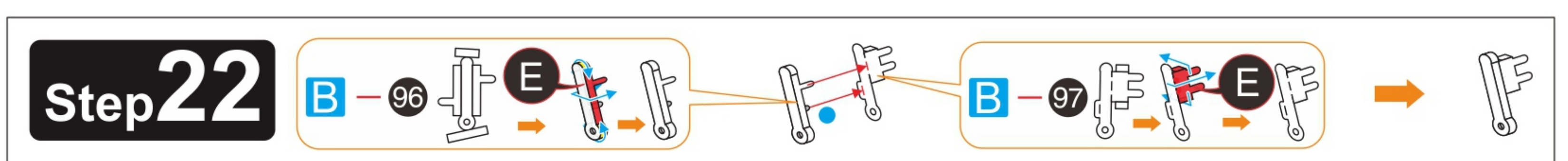
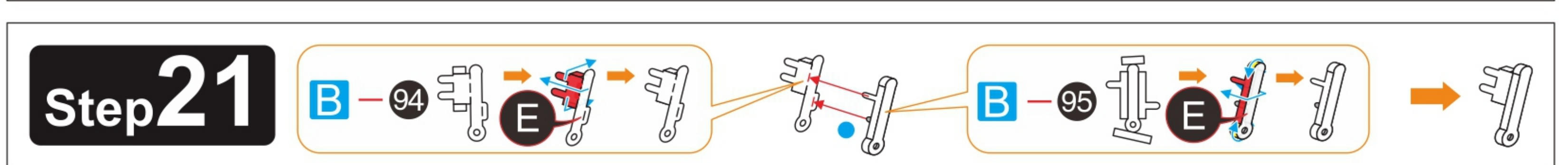
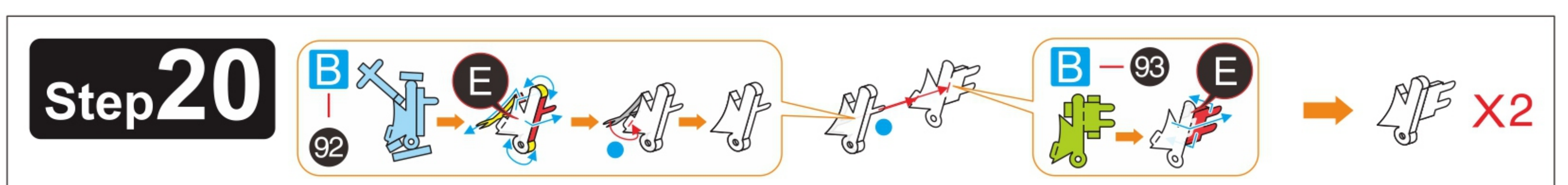
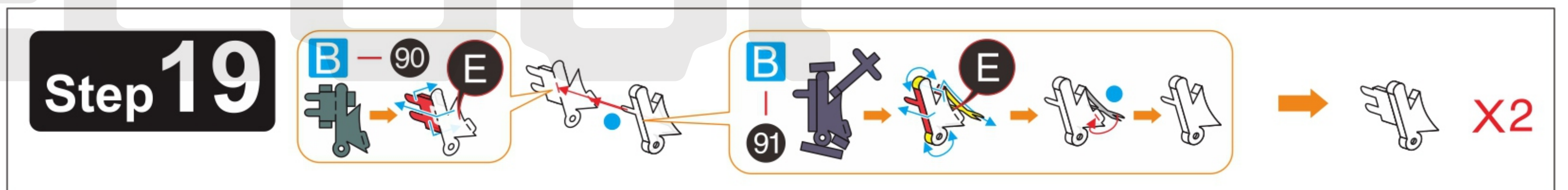
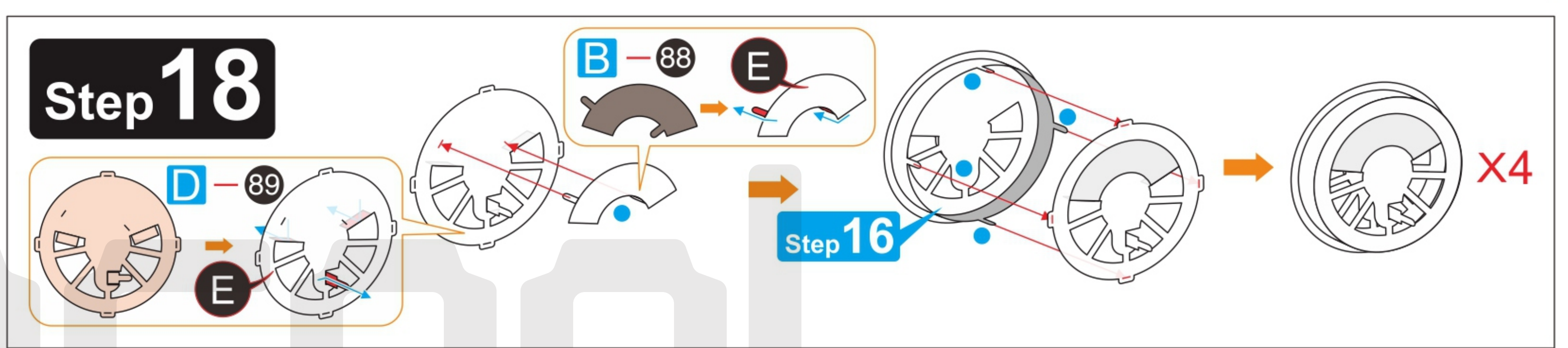
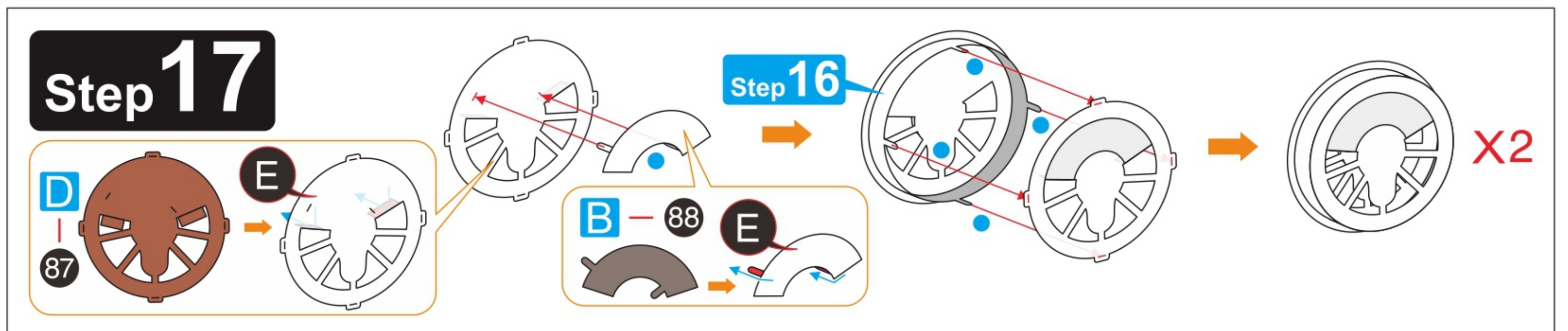
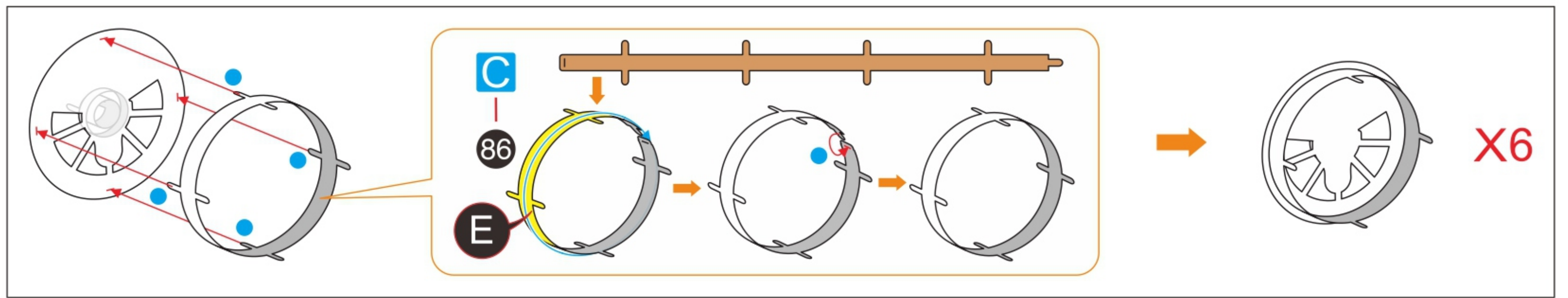
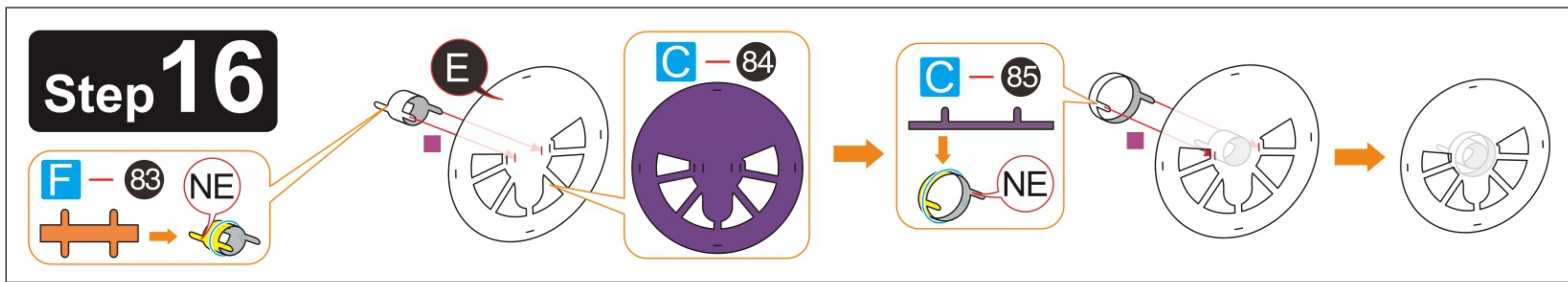
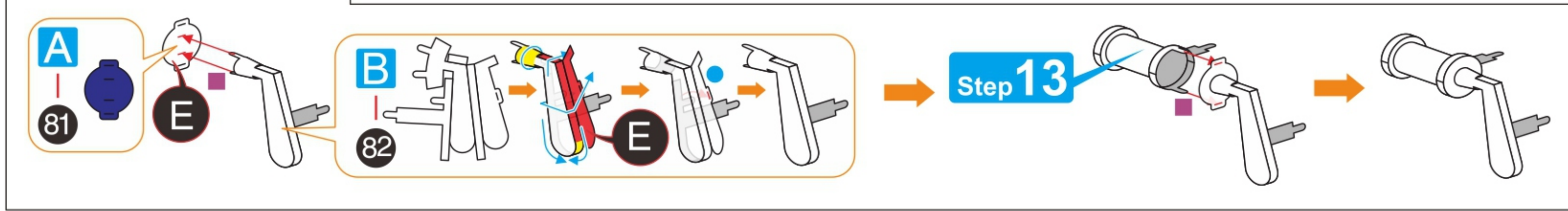
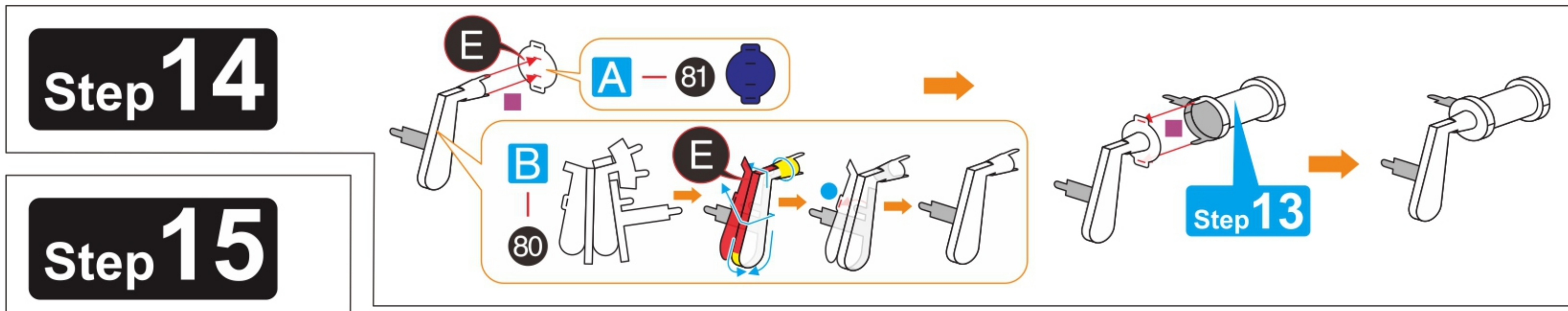
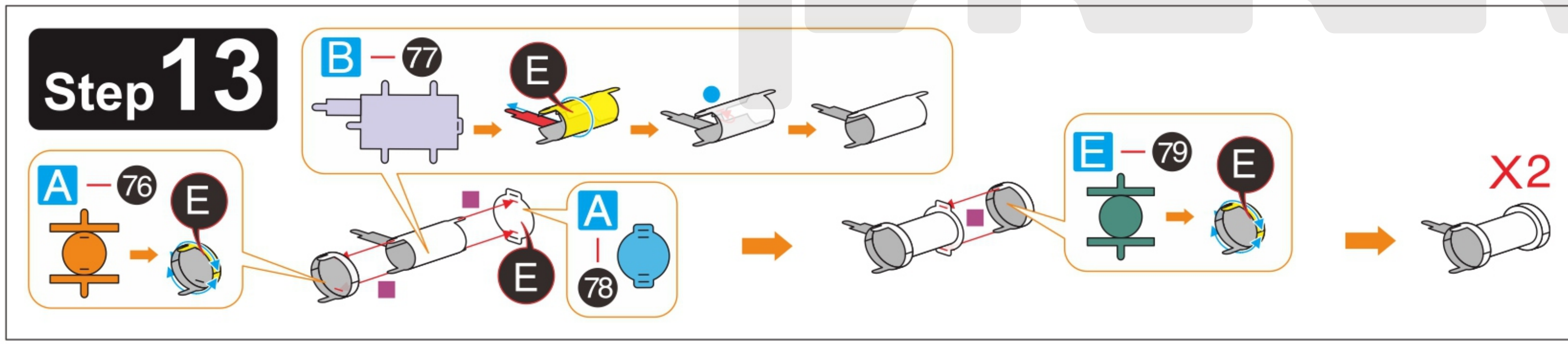
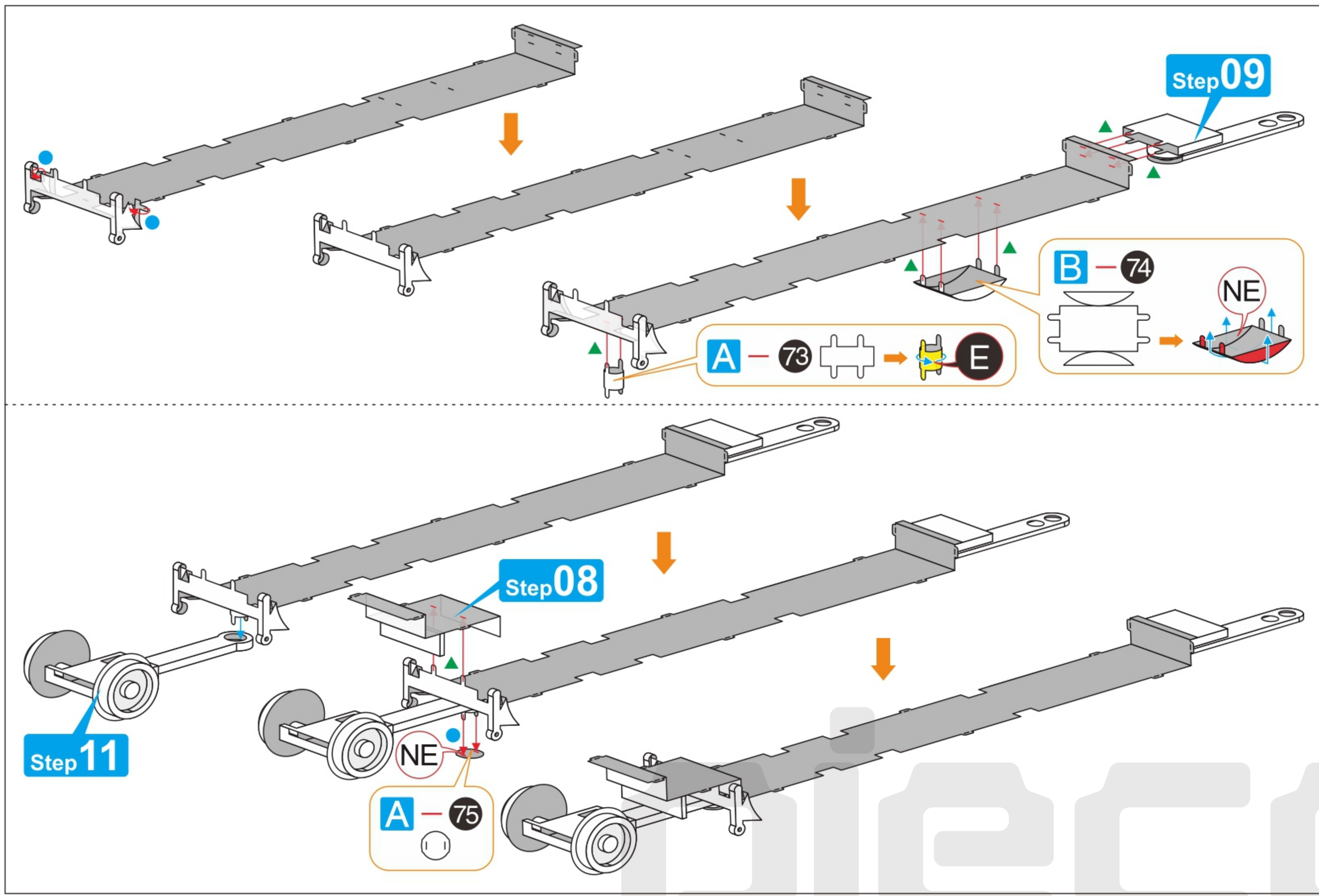


5 6
7 8

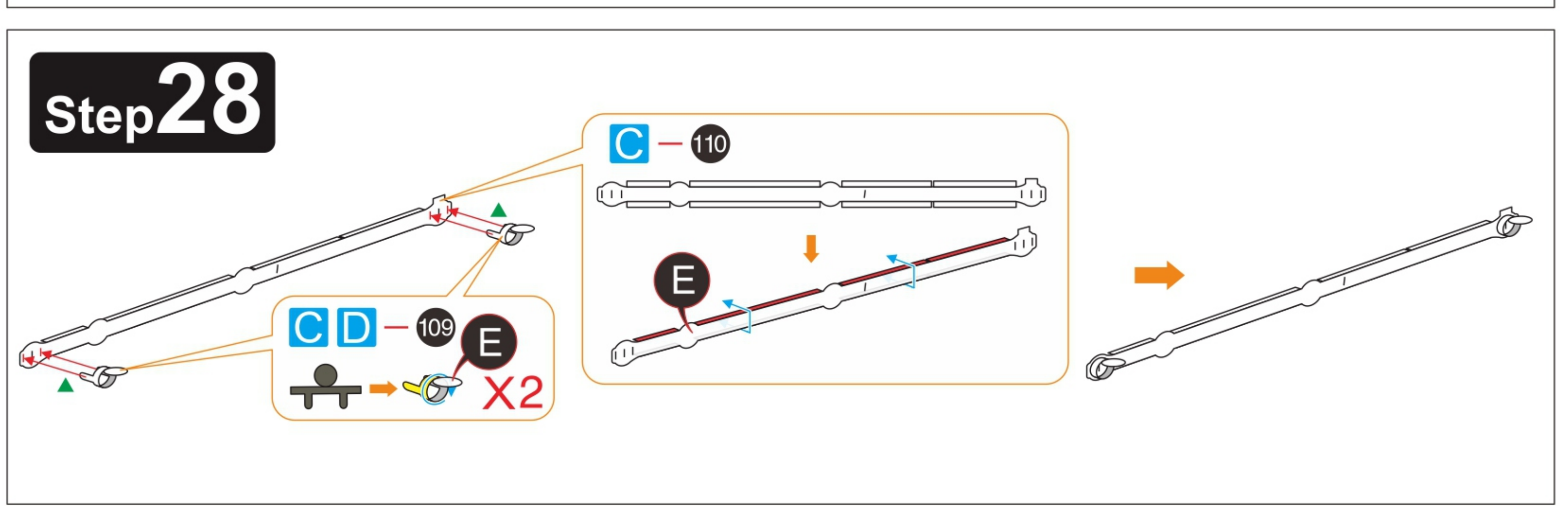
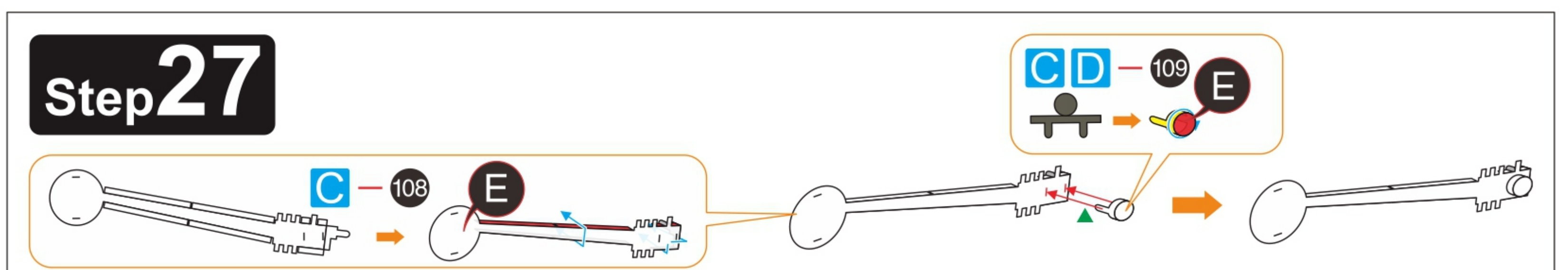
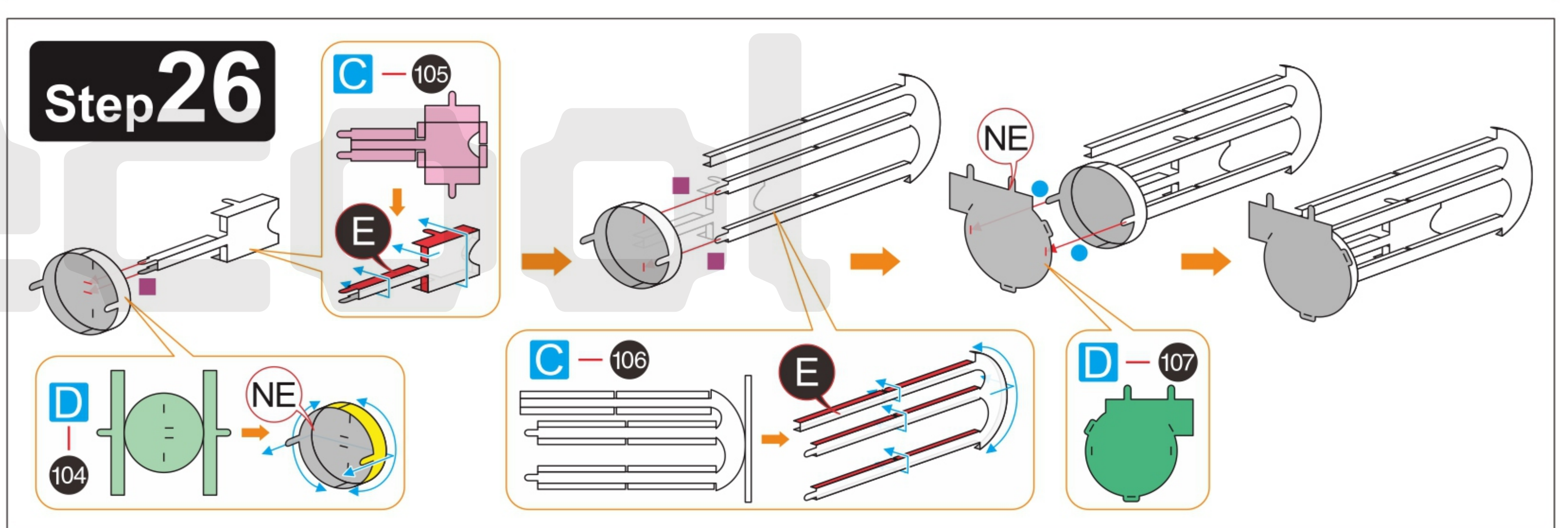
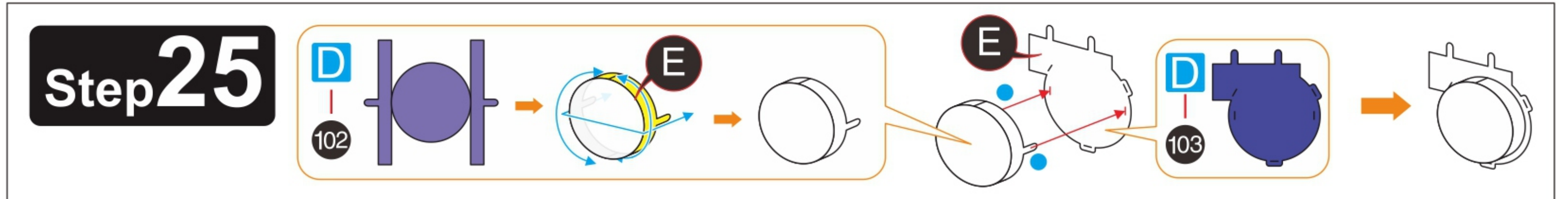
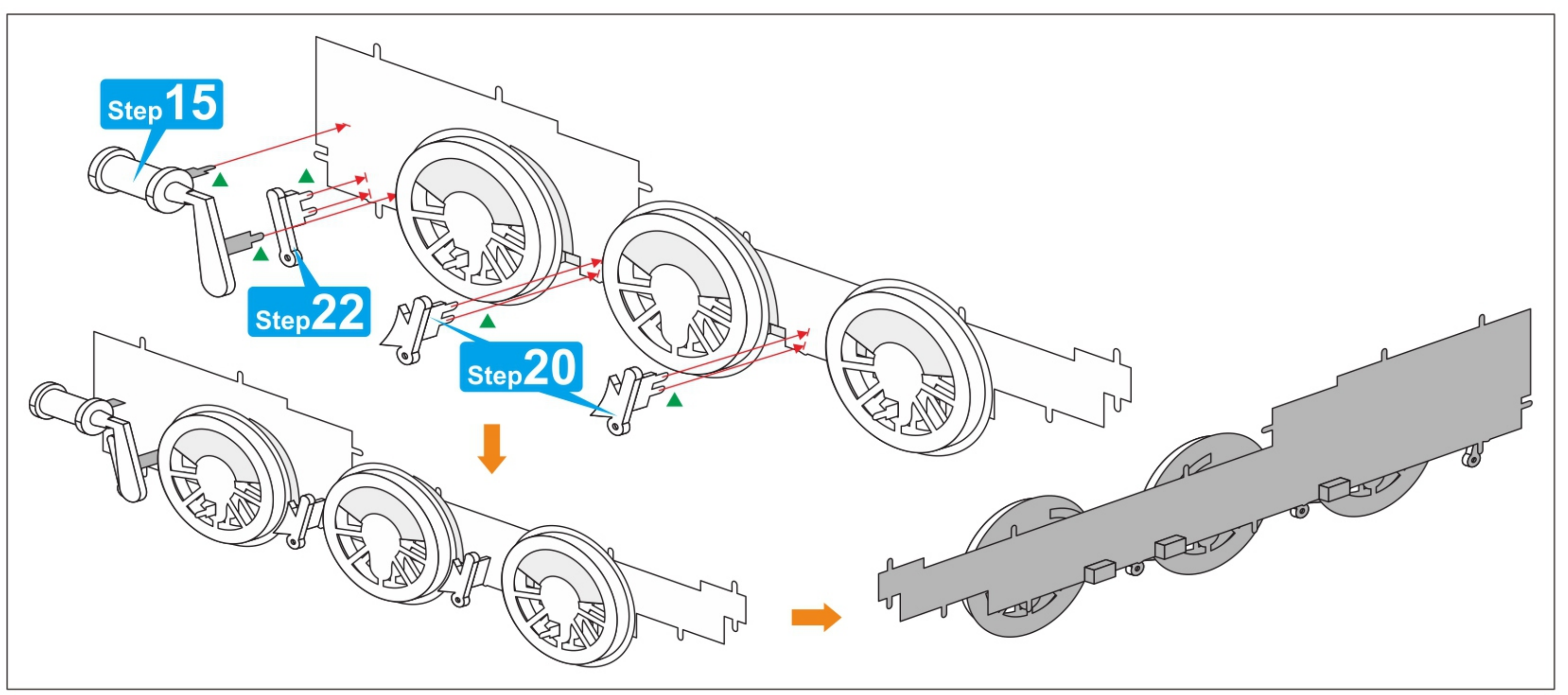
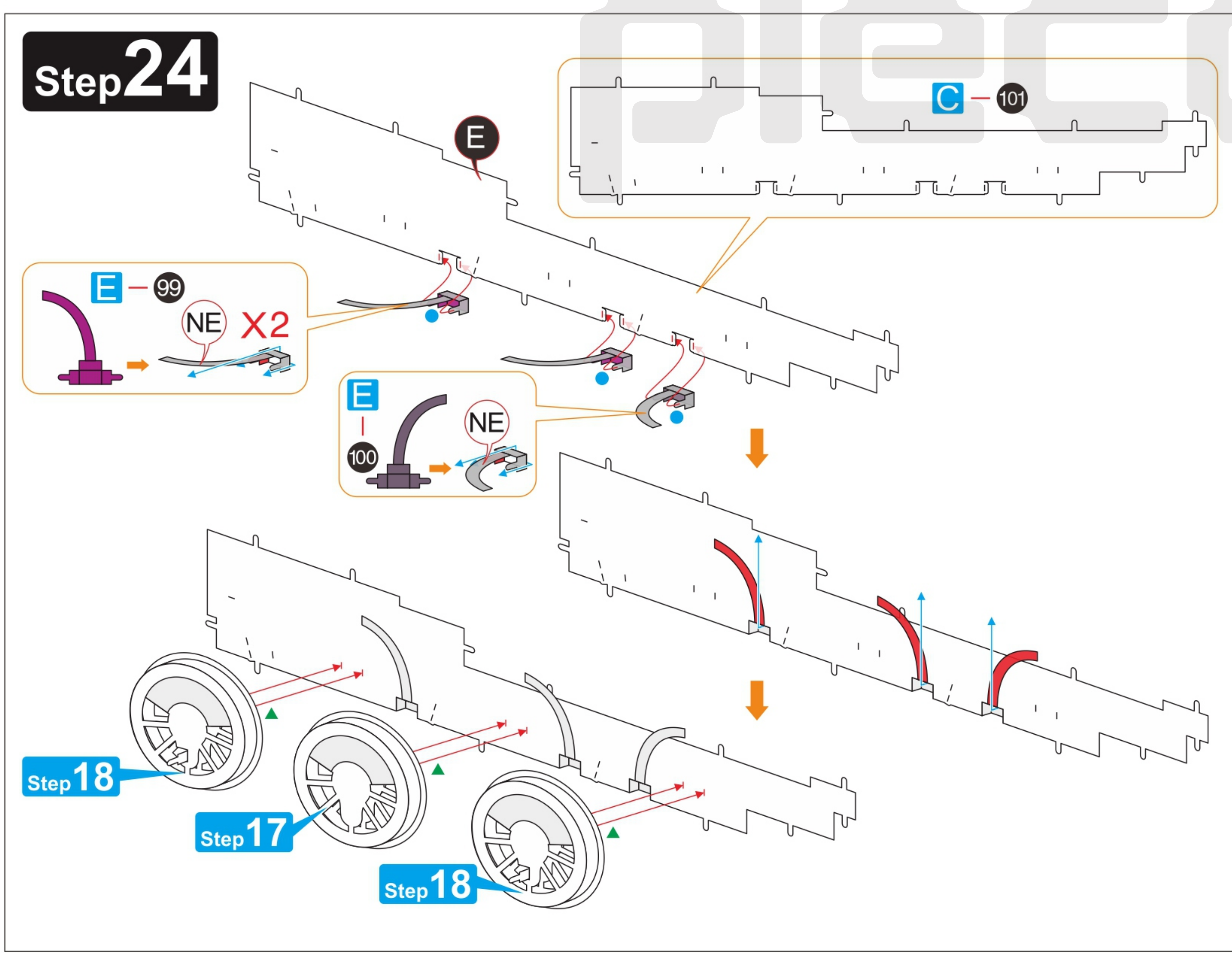
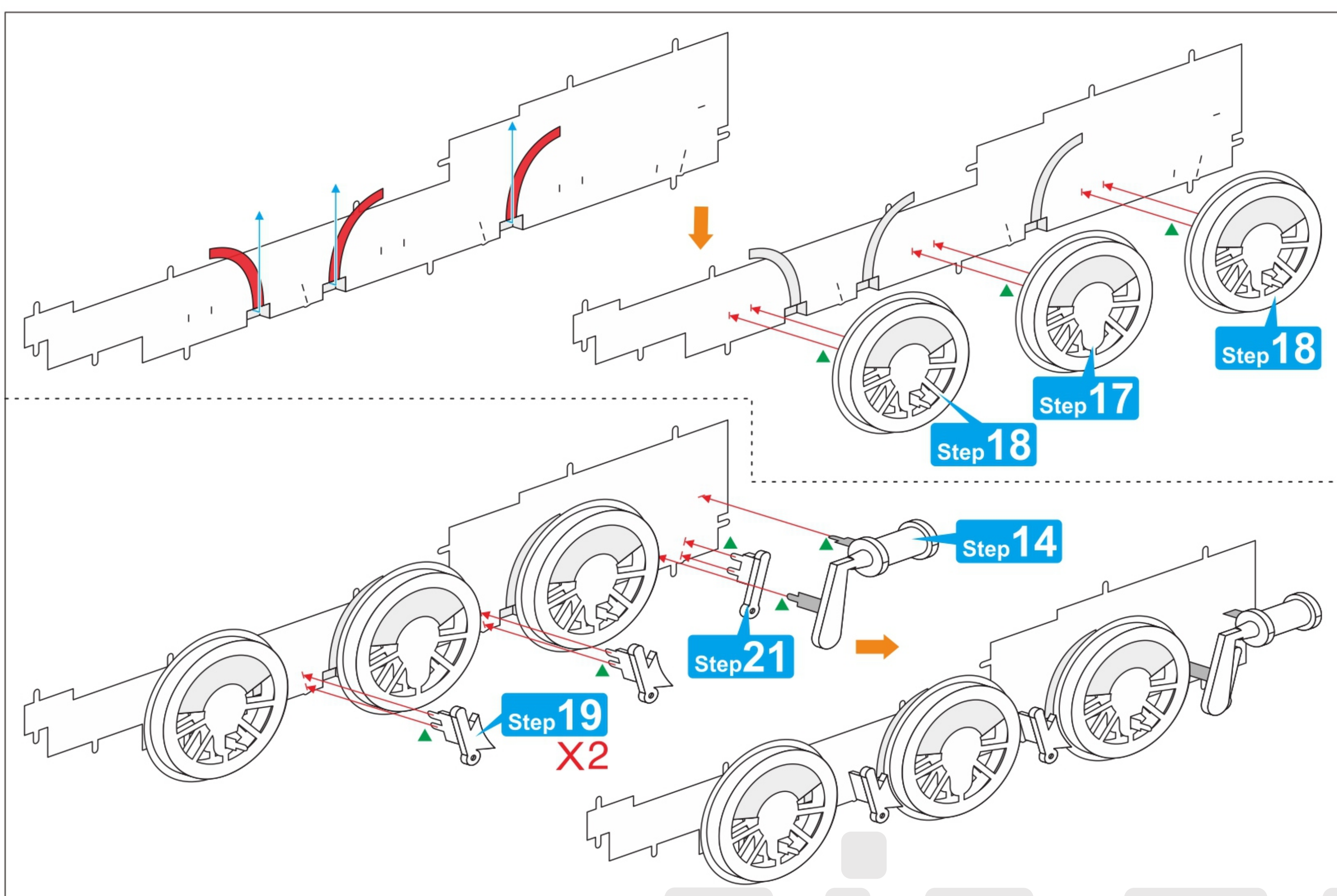


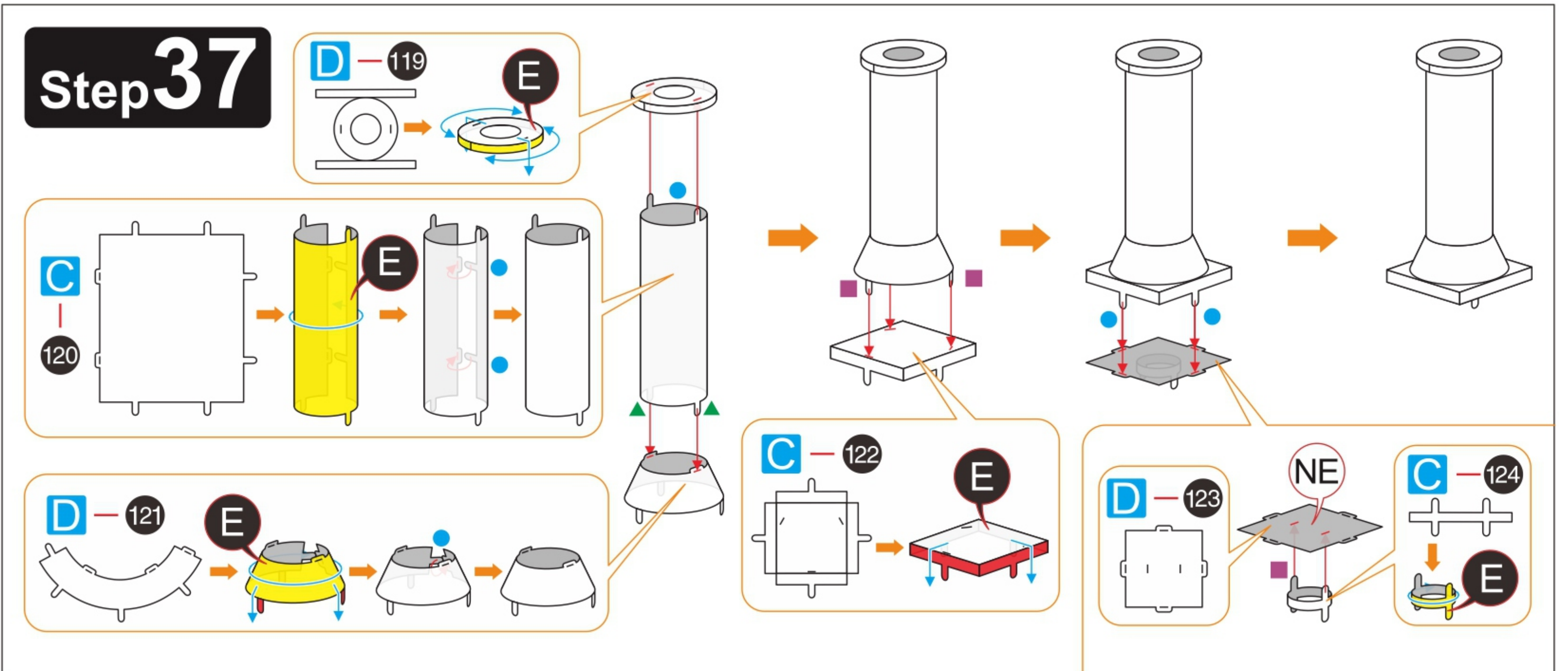
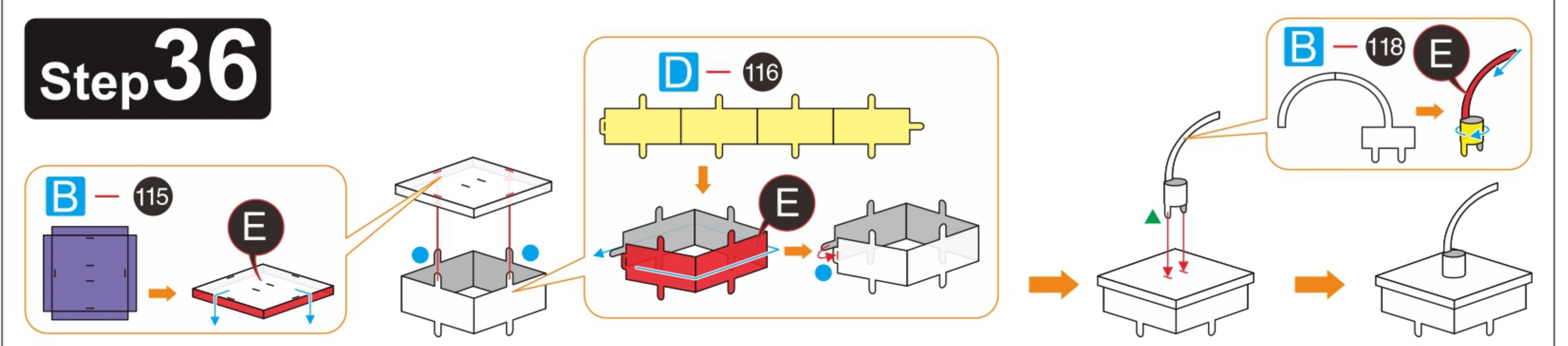
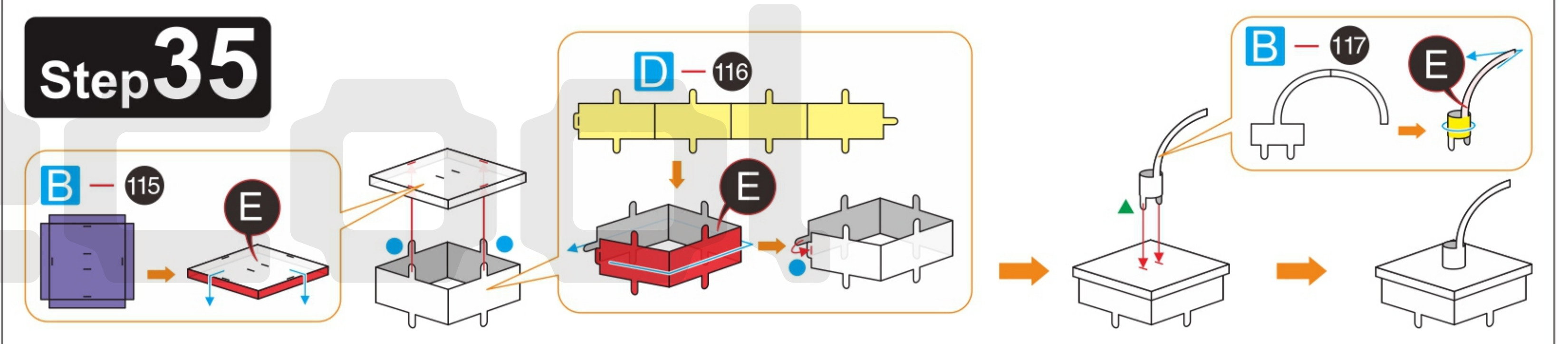
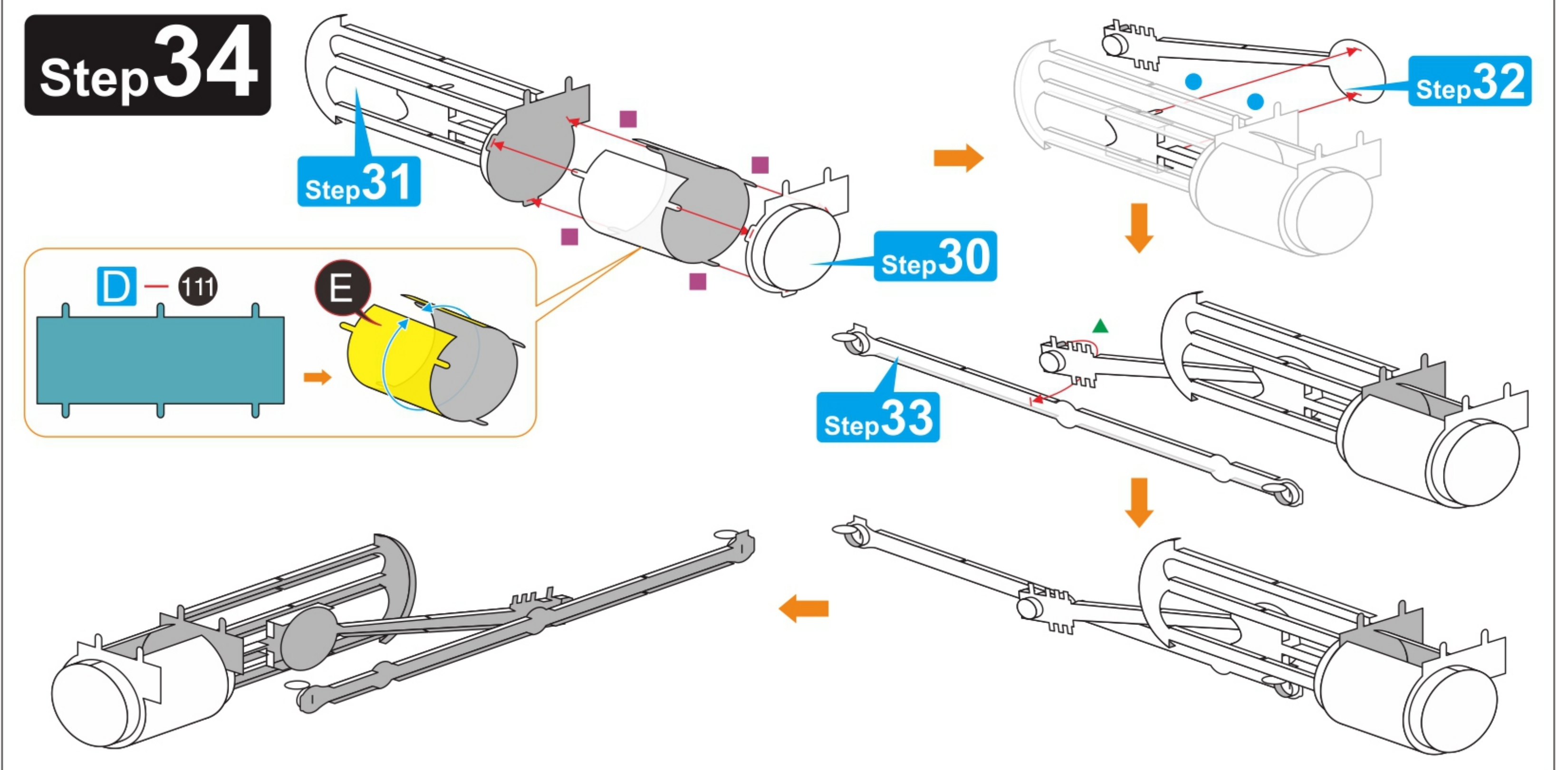
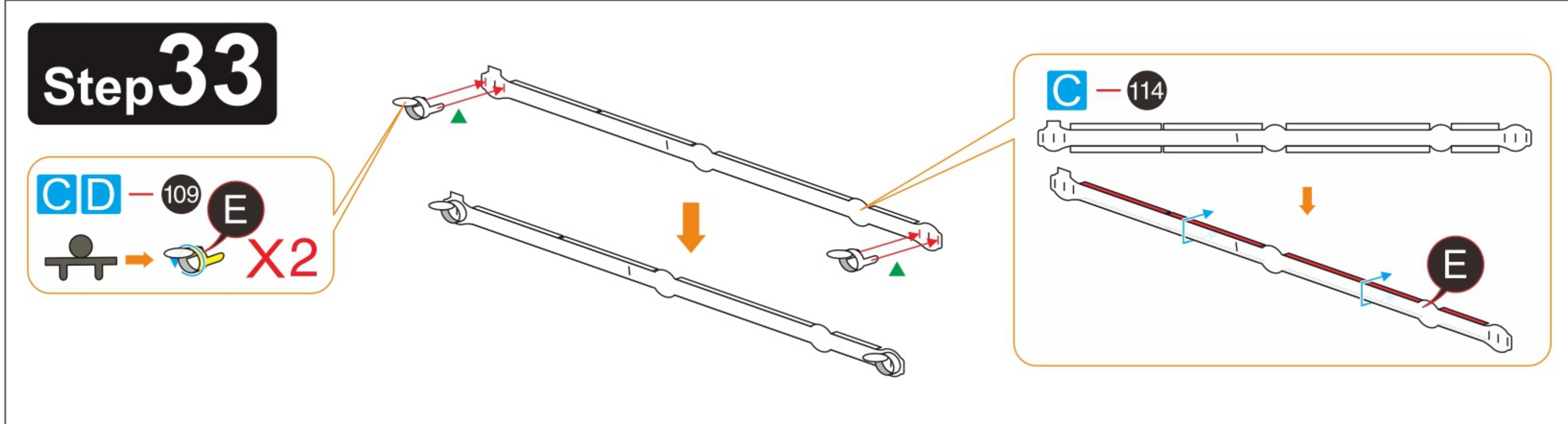
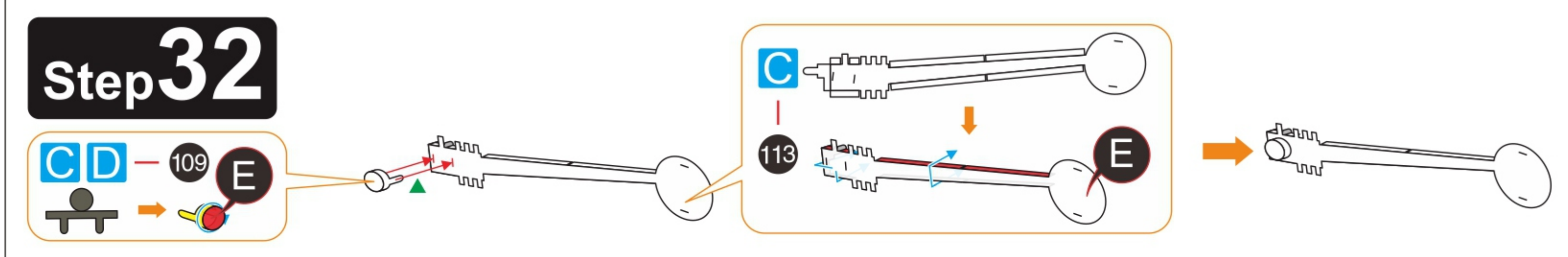
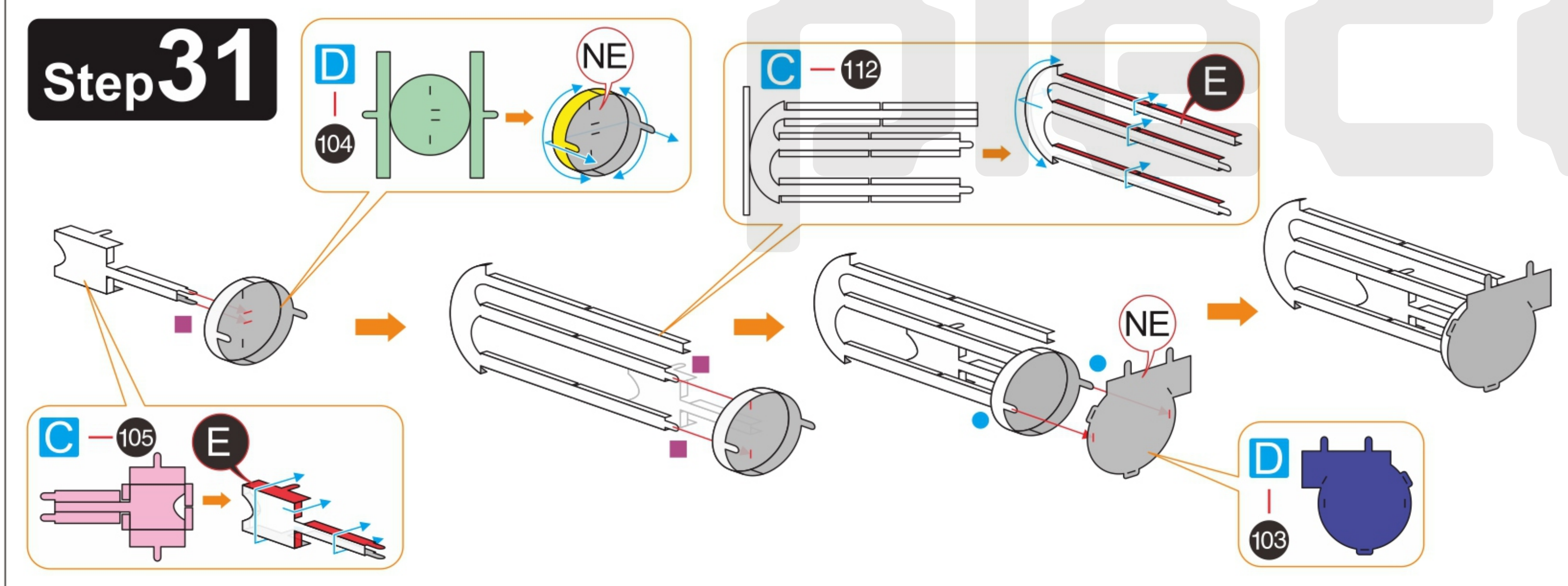
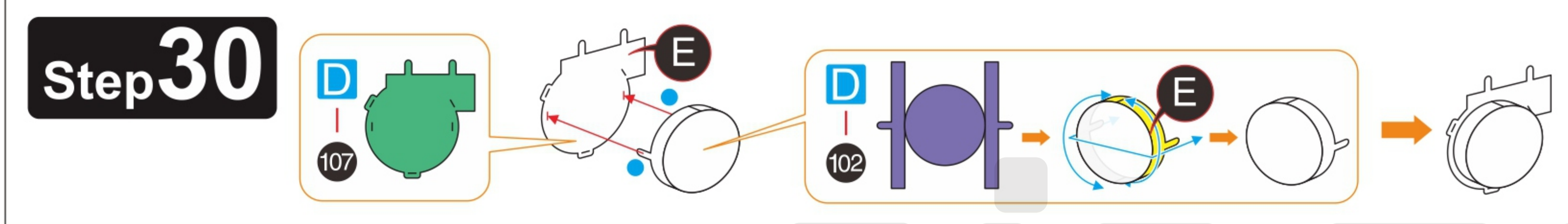
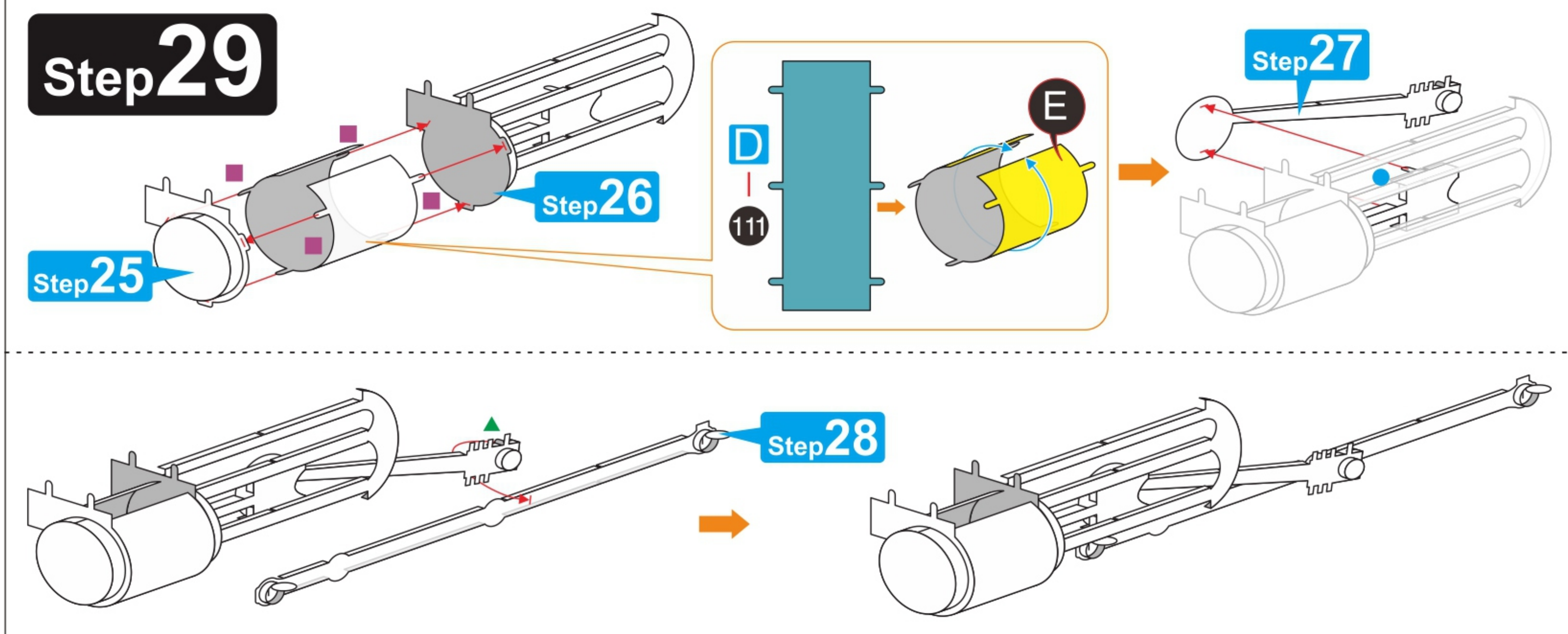
Step 07



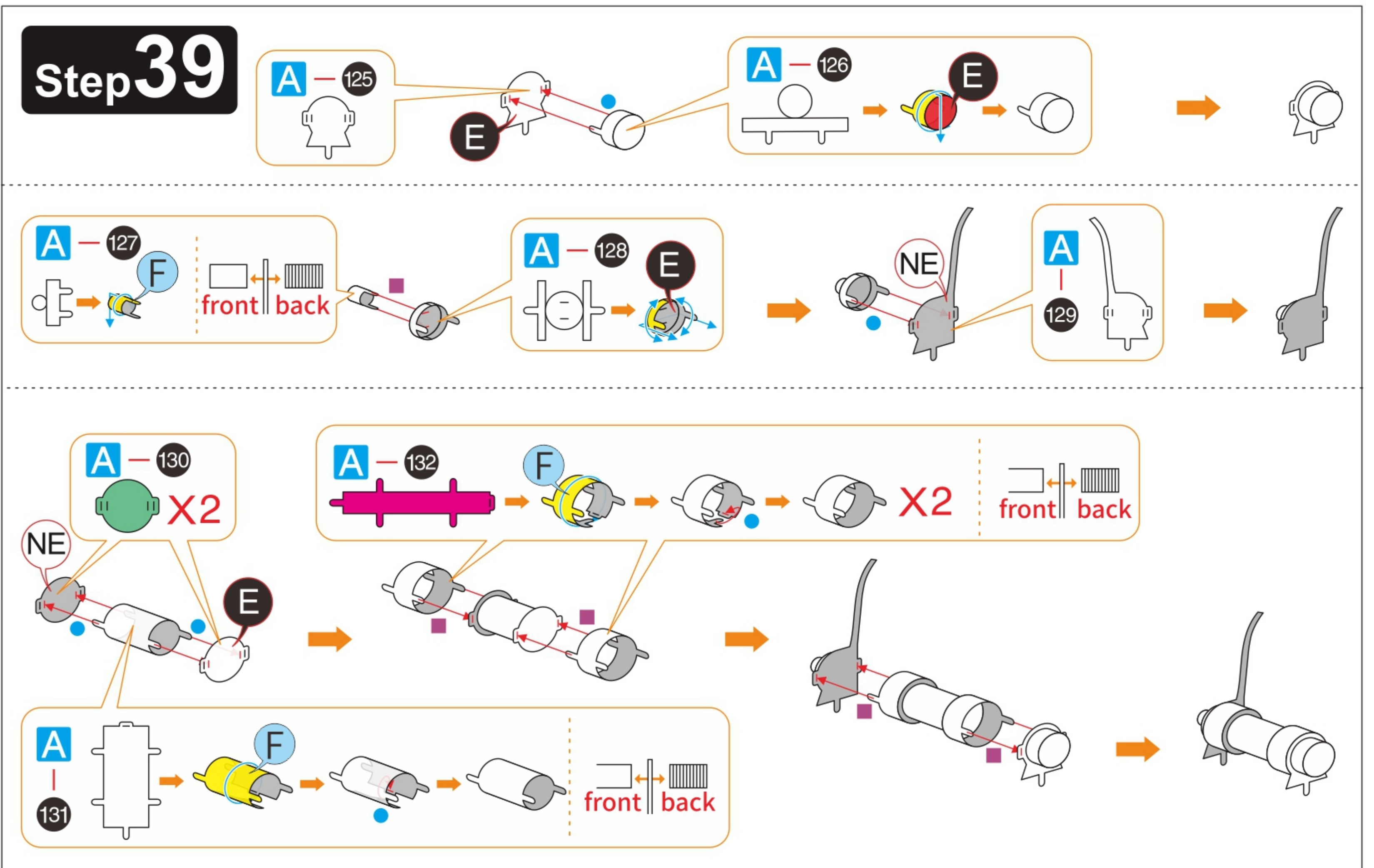
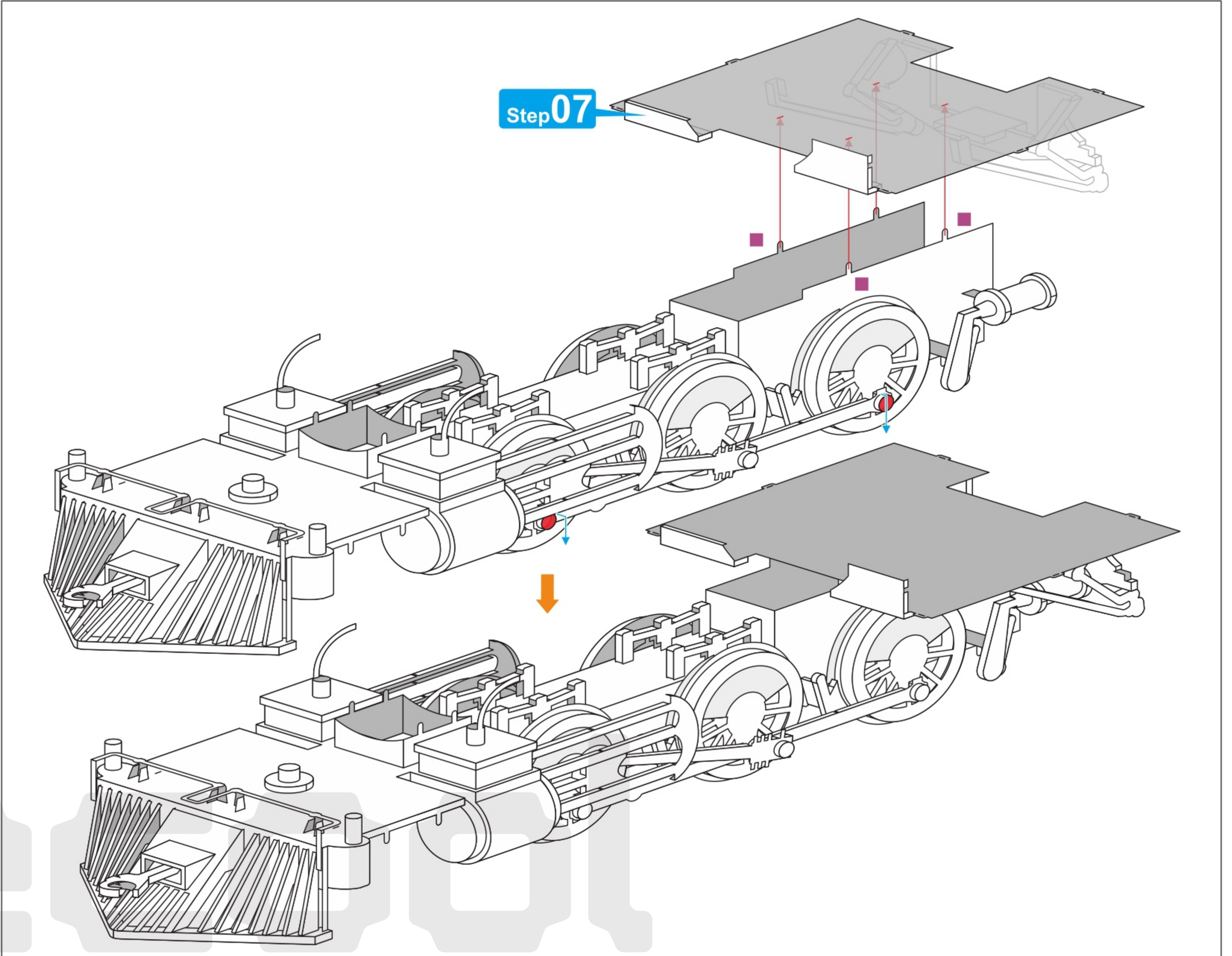
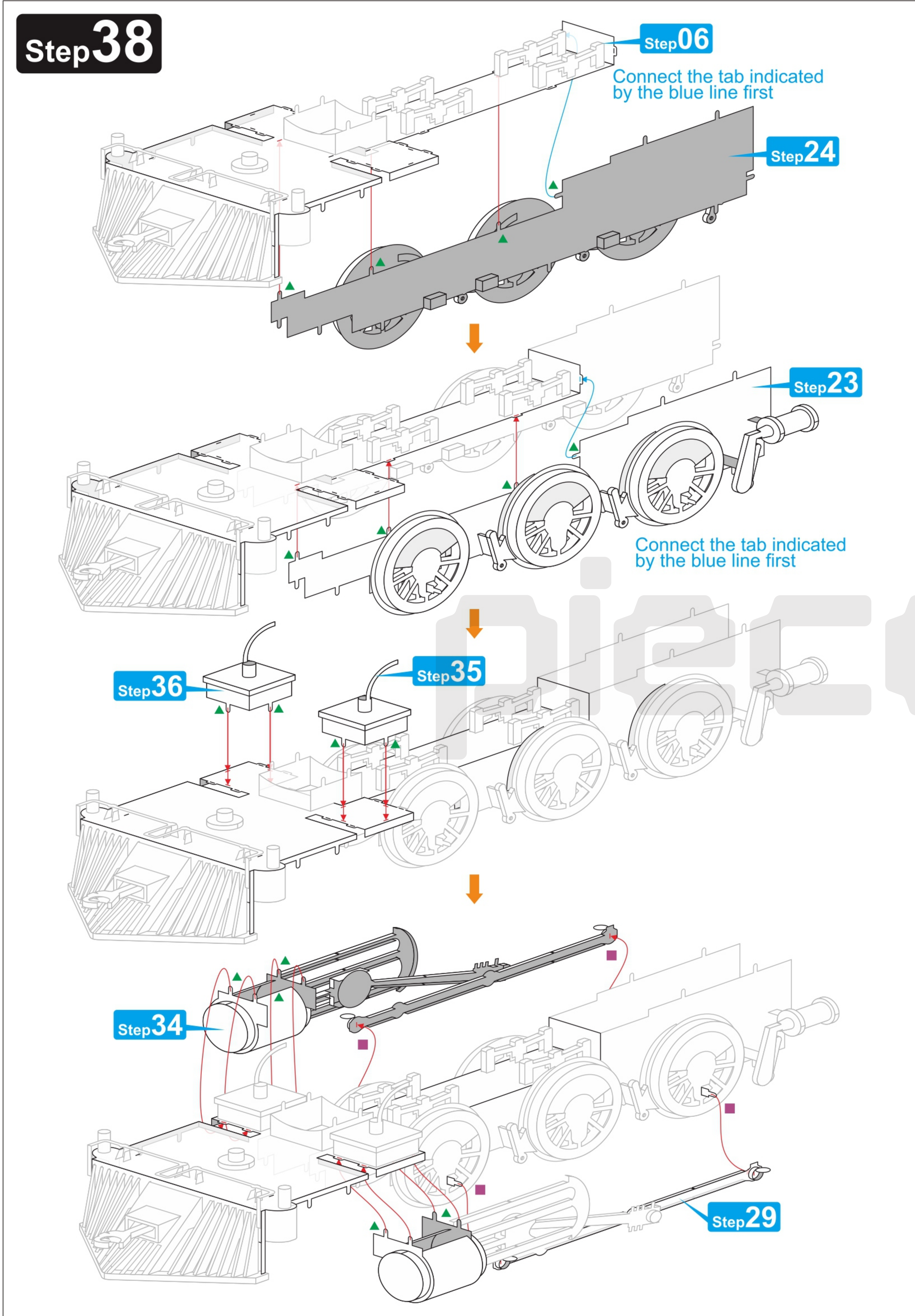


9 10
11 12

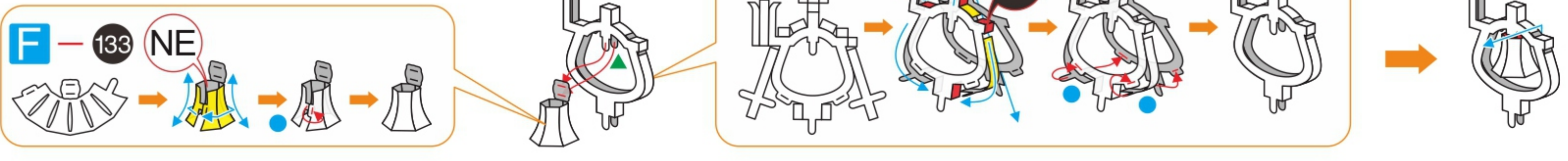




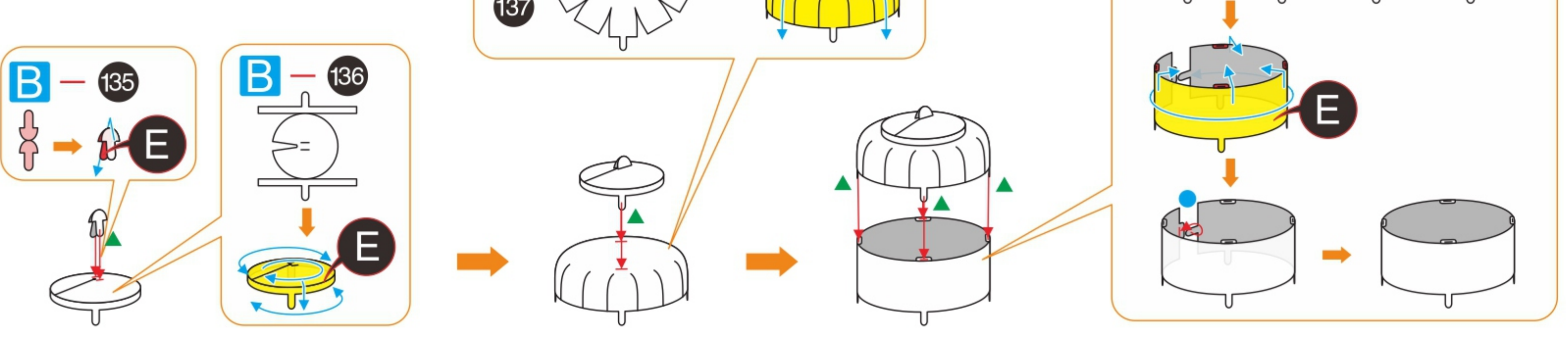
13 14
15 16



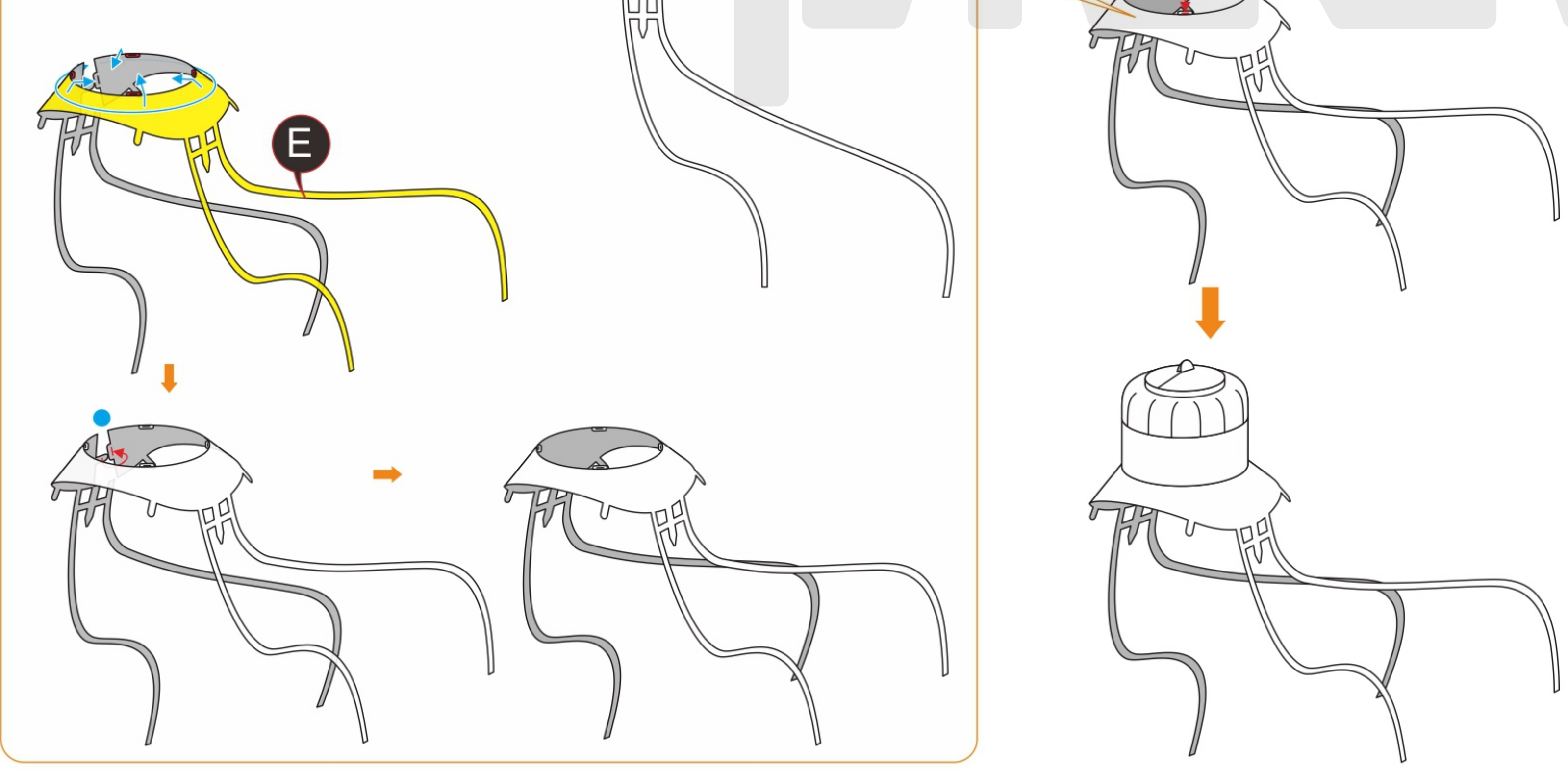
Step 40



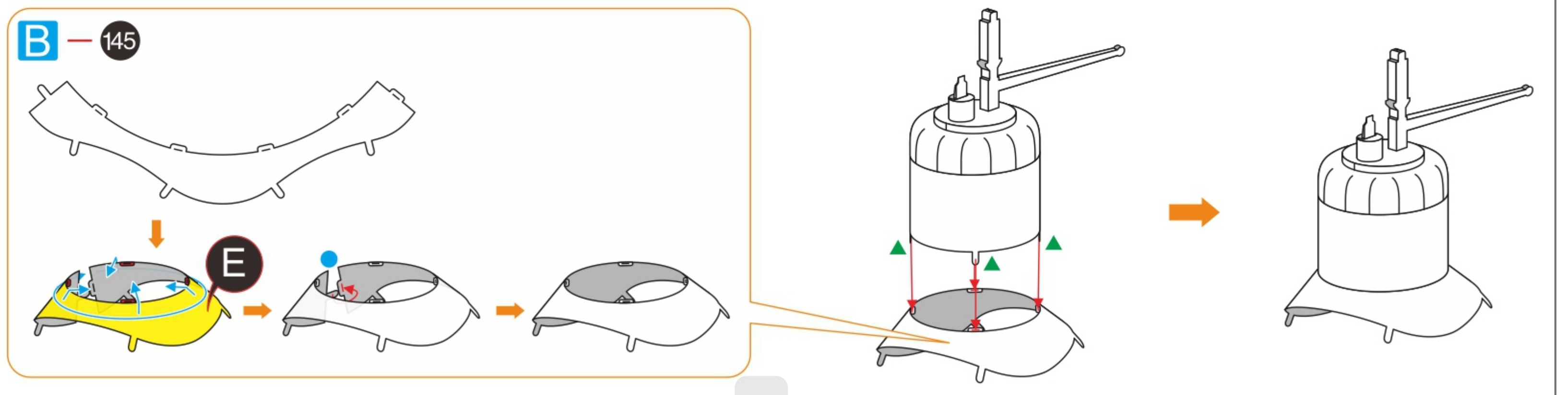
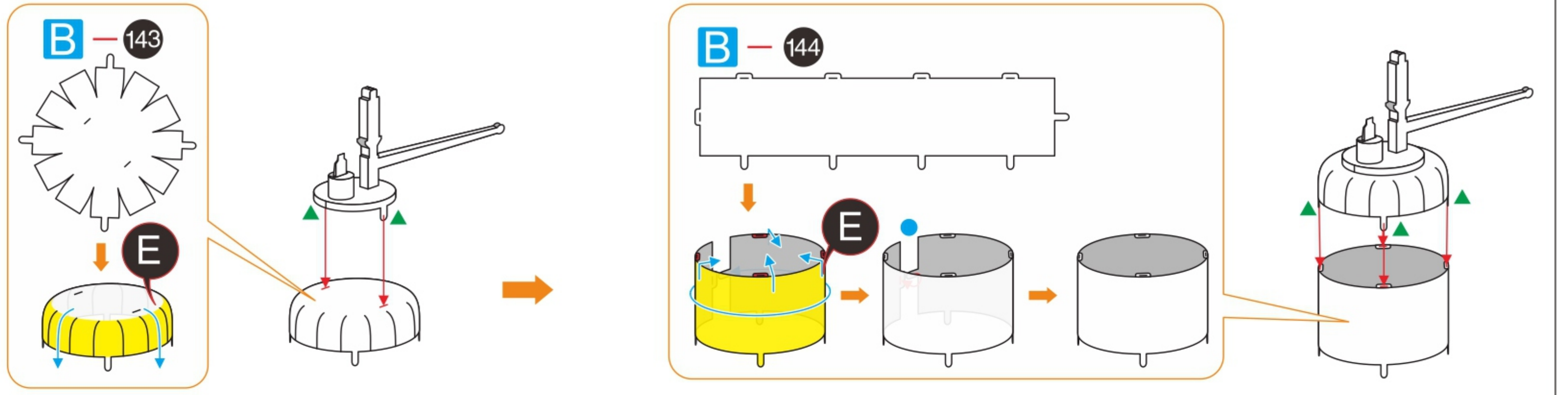
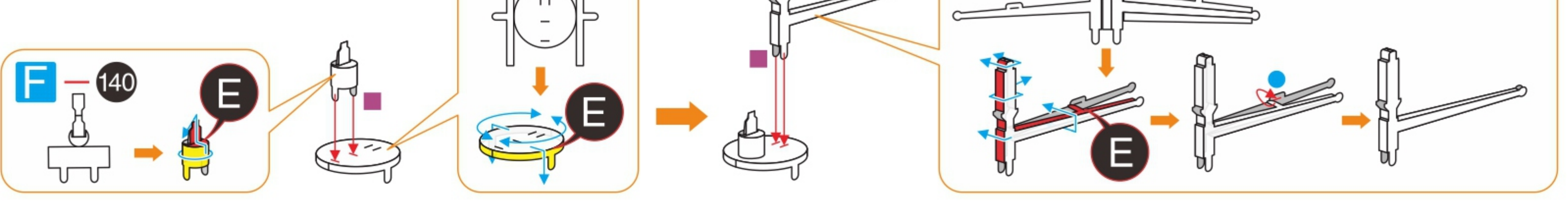
Step 41



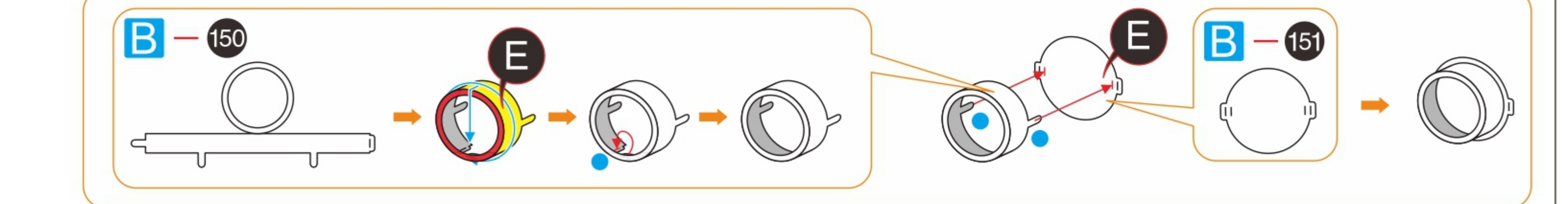
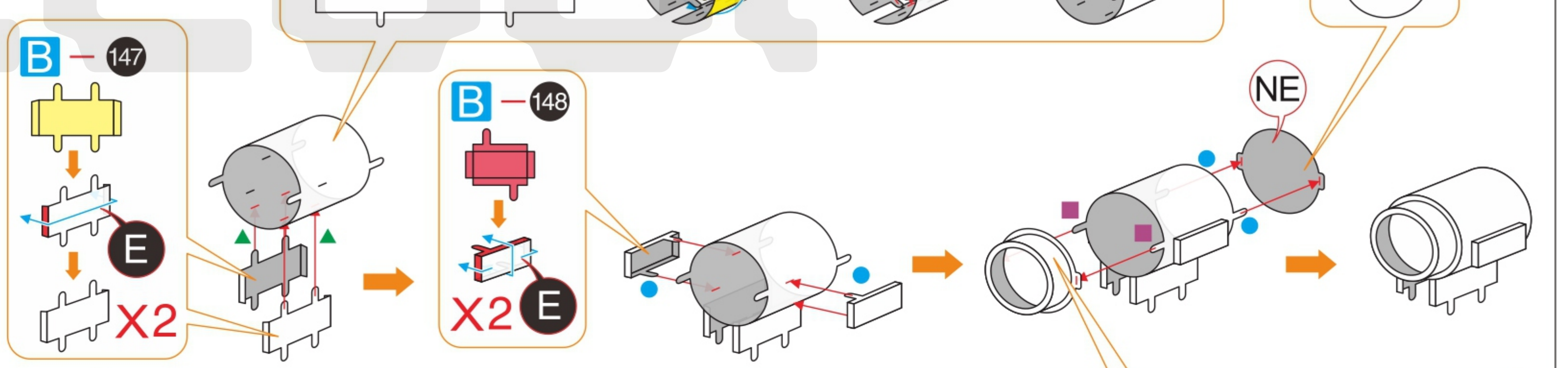
Step 42



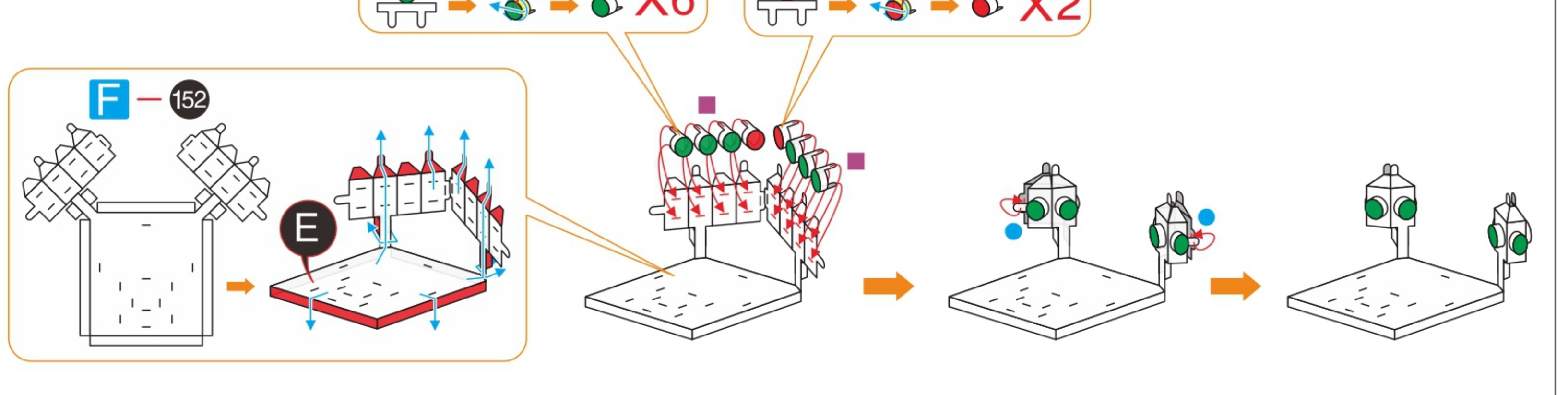
Step 43



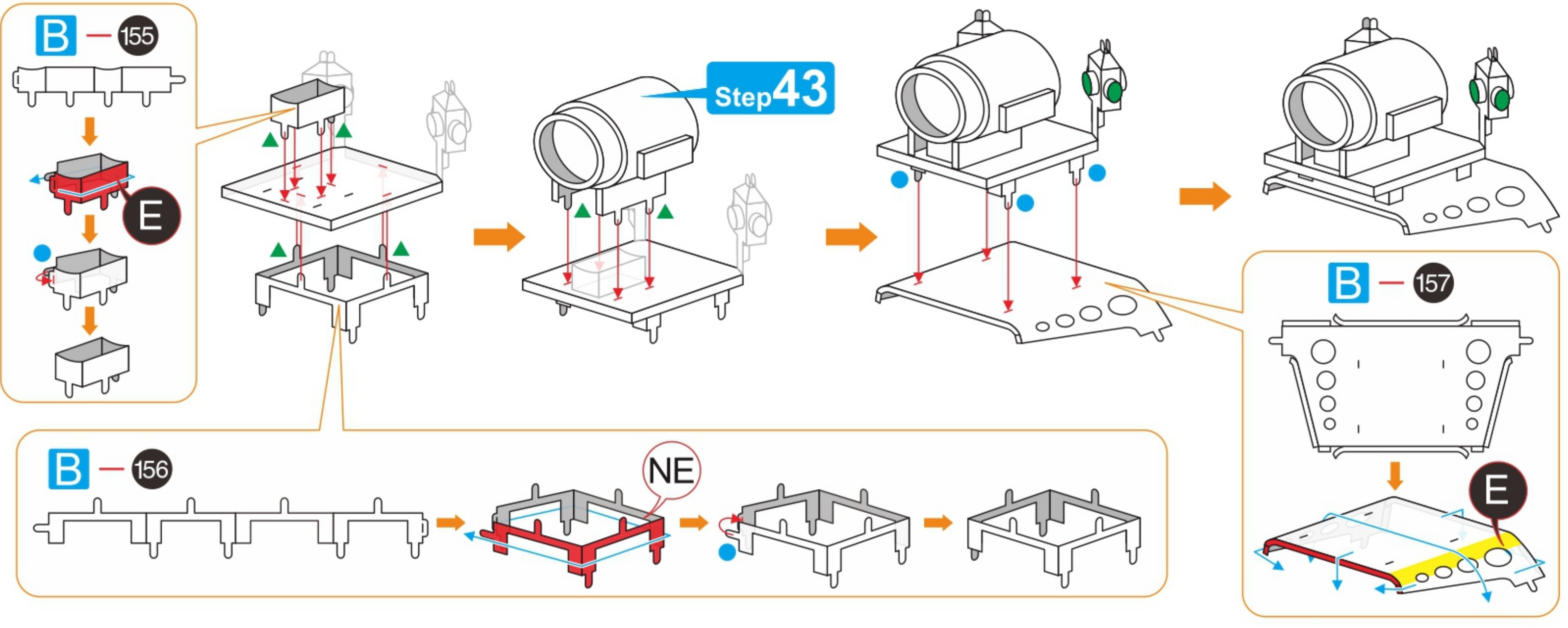
Step 43



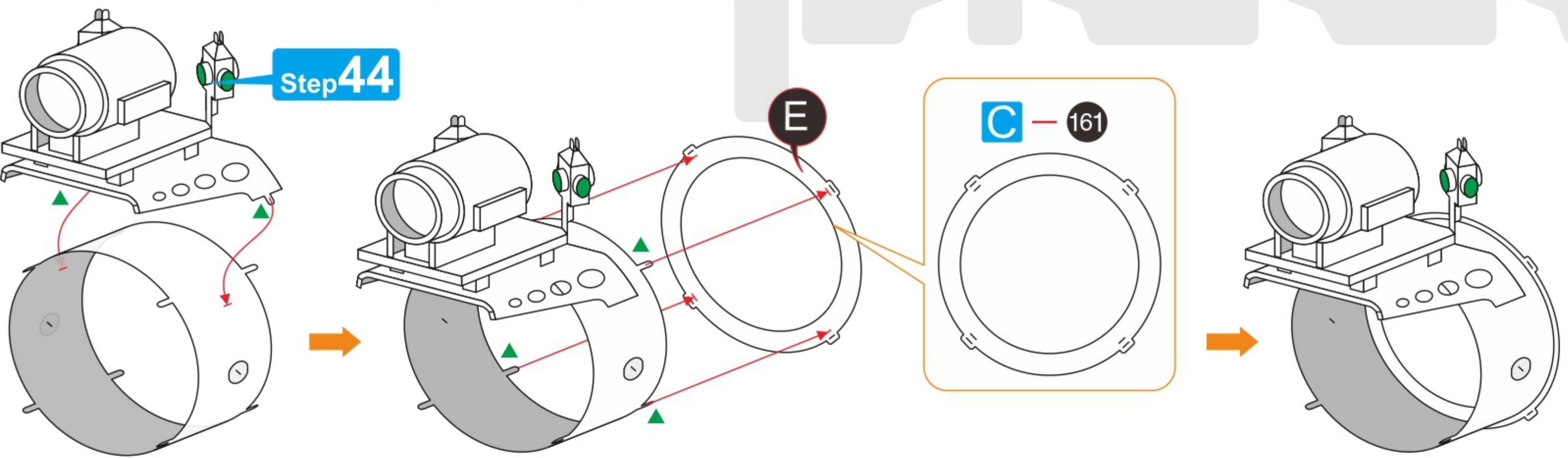
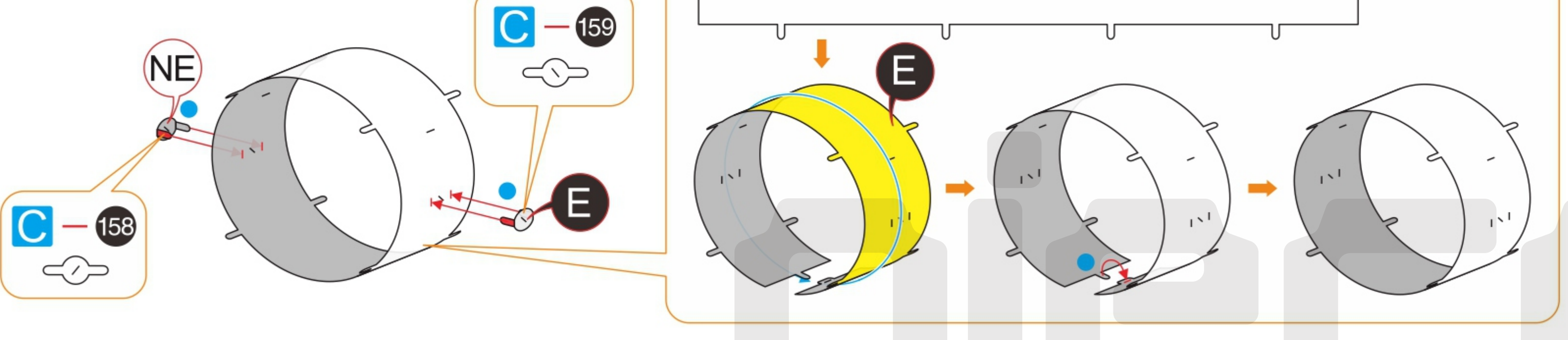
Step 44



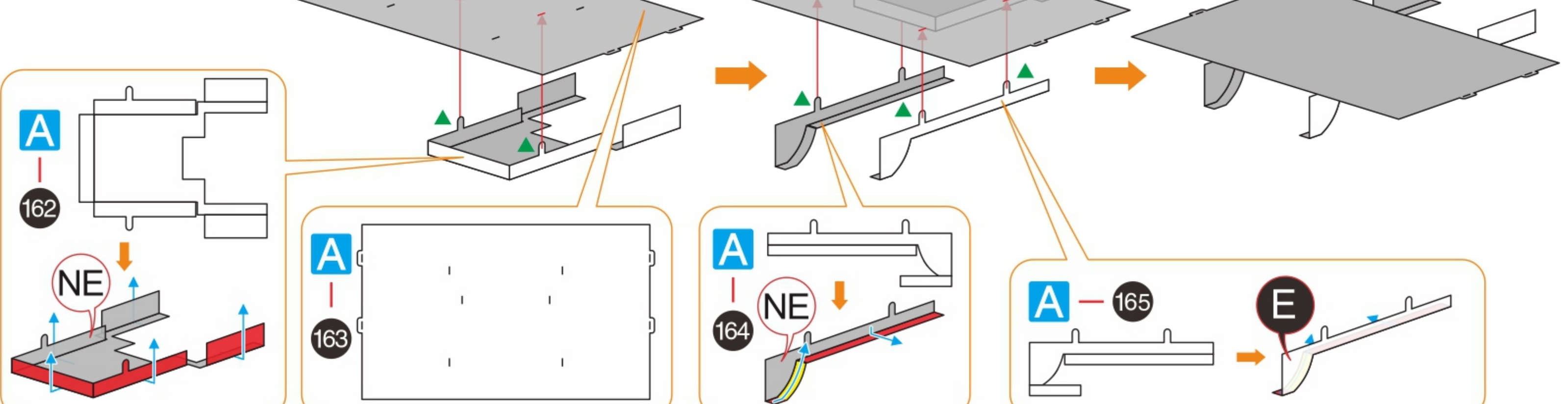
17 18
19 20



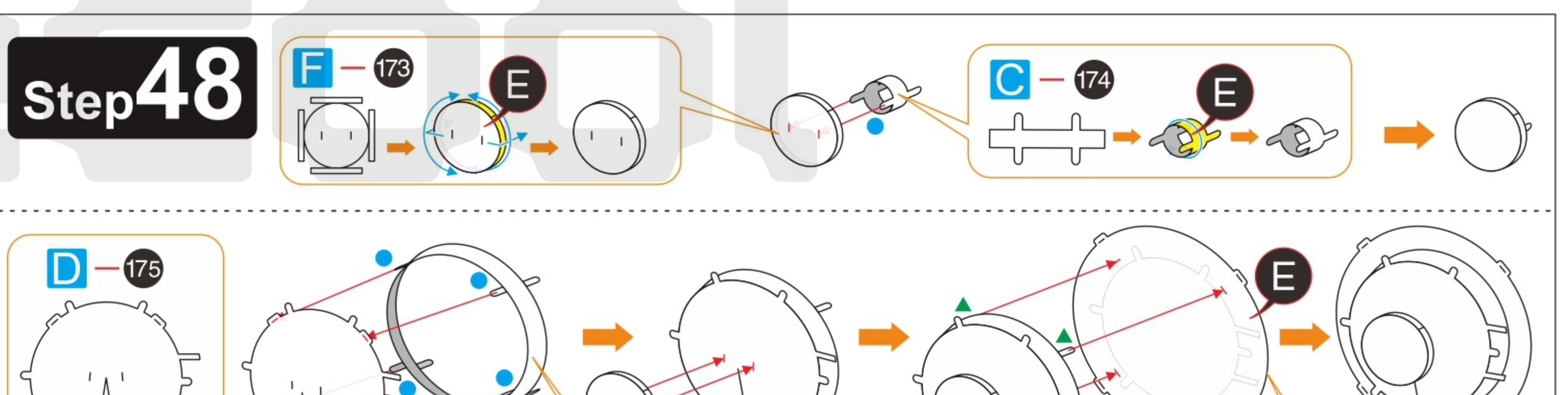
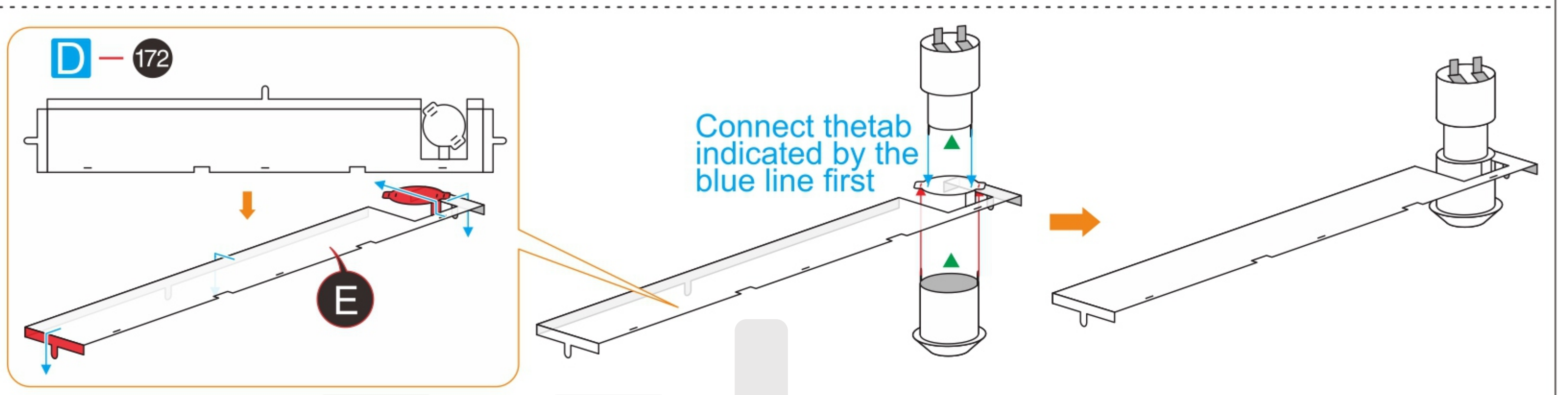
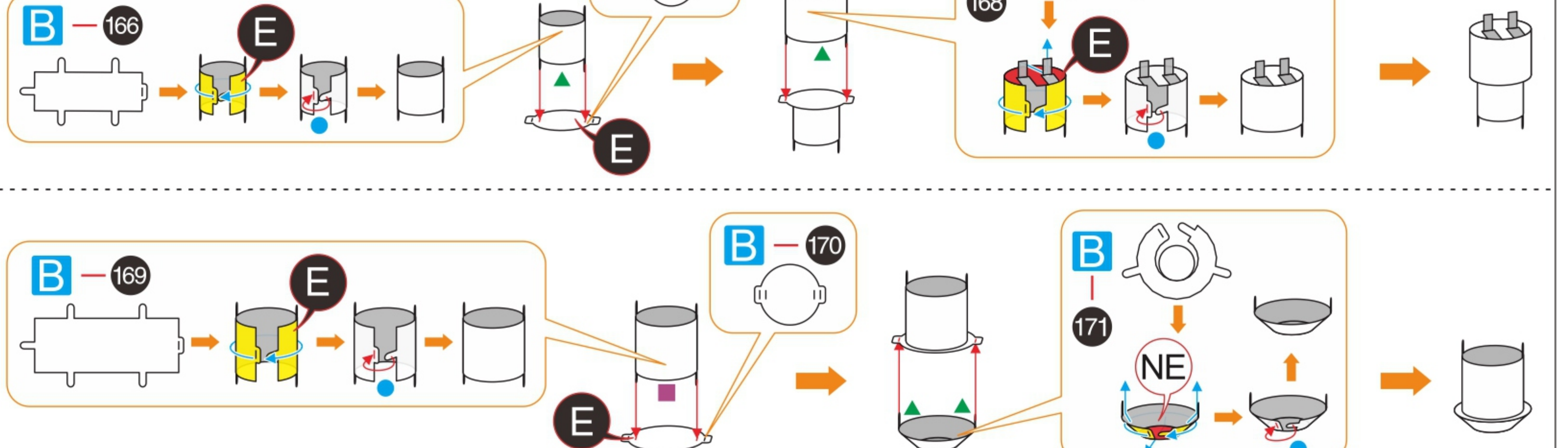
Step 45



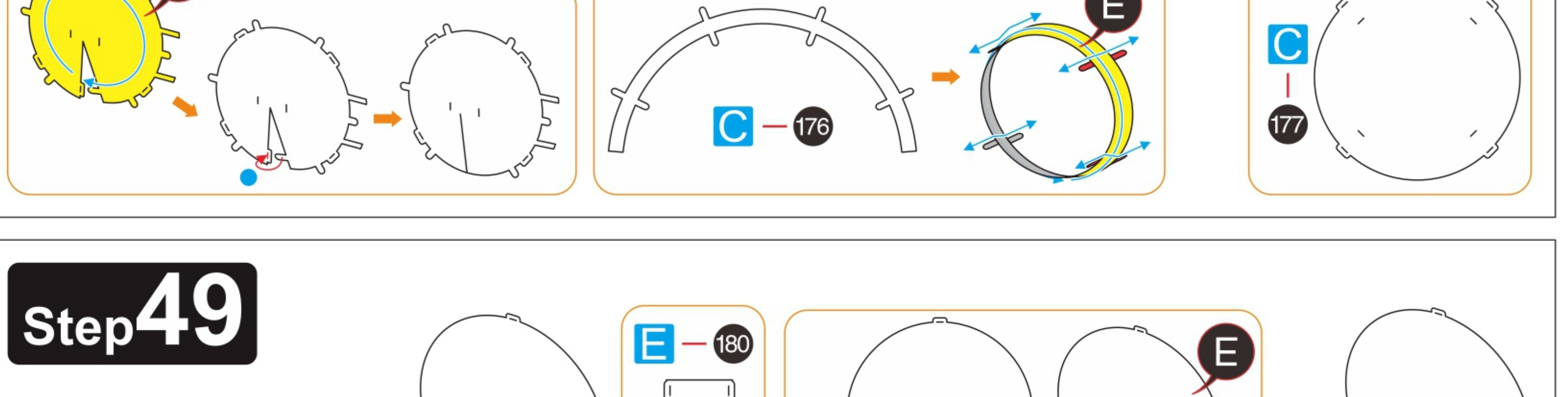
Step 46



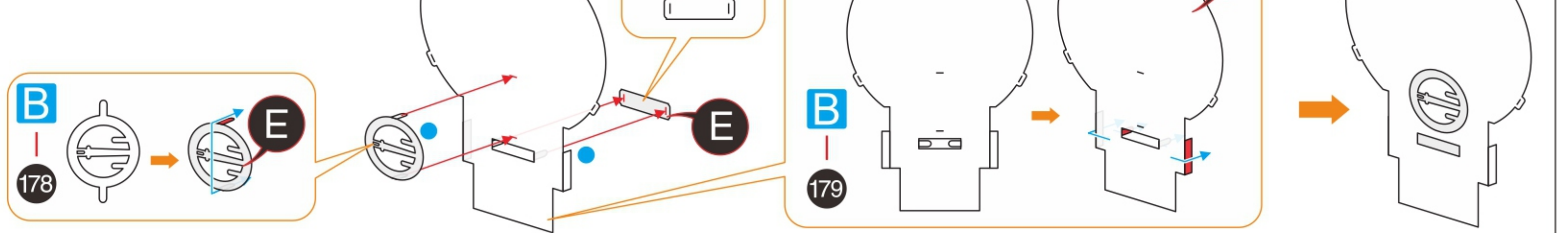
Step 47



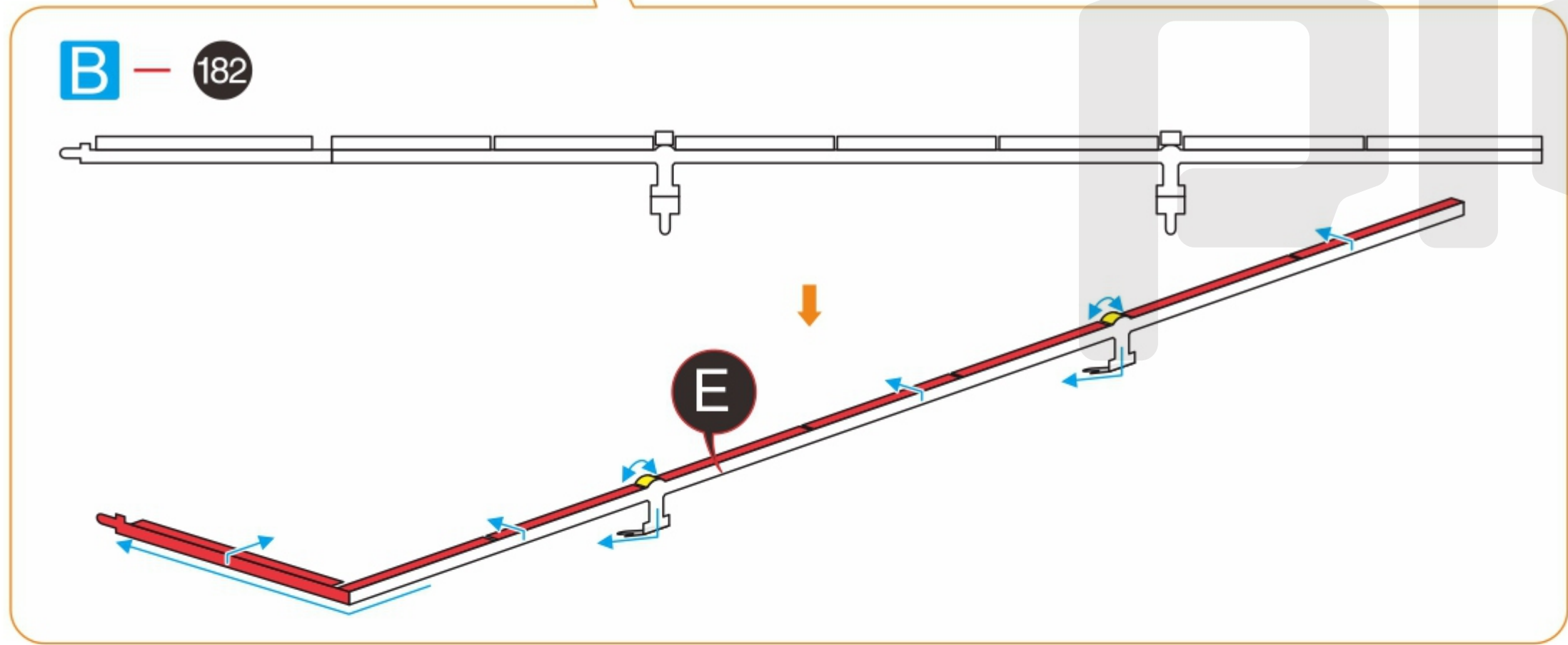
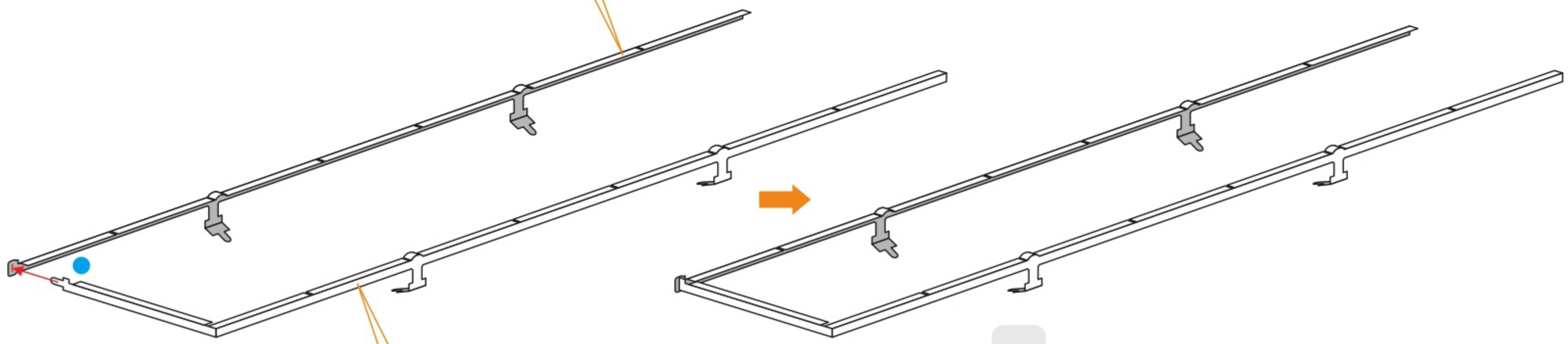
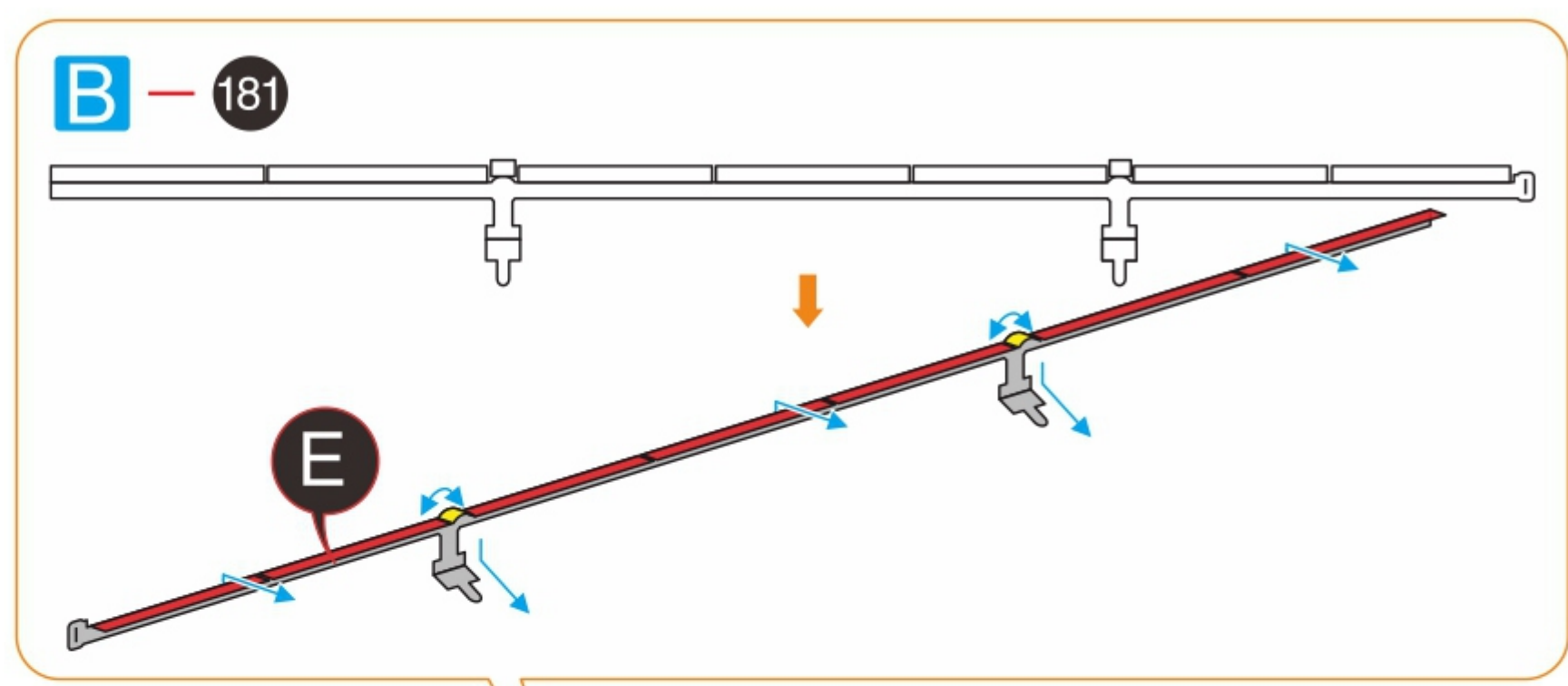
Step 48



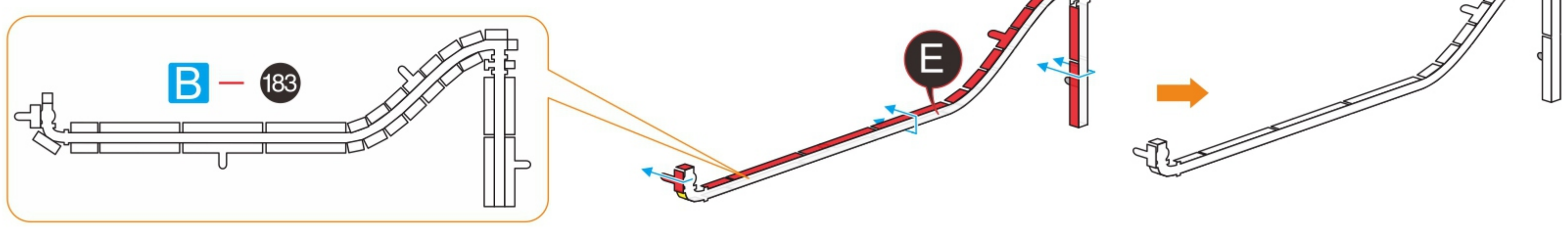
Step 49



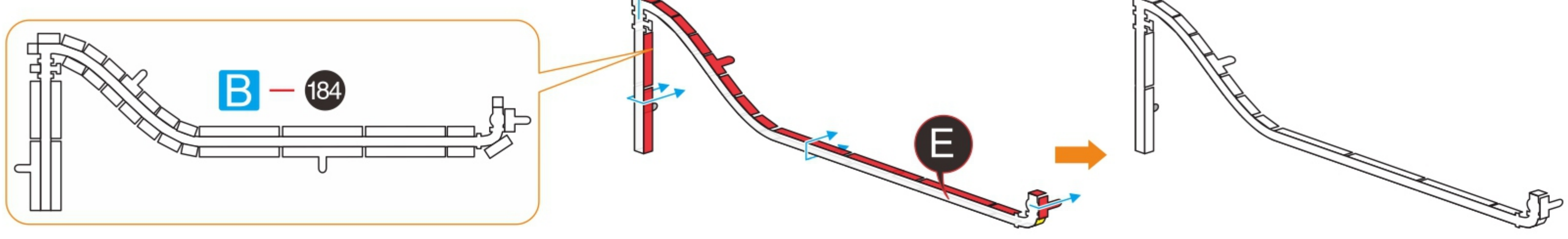
Step 50



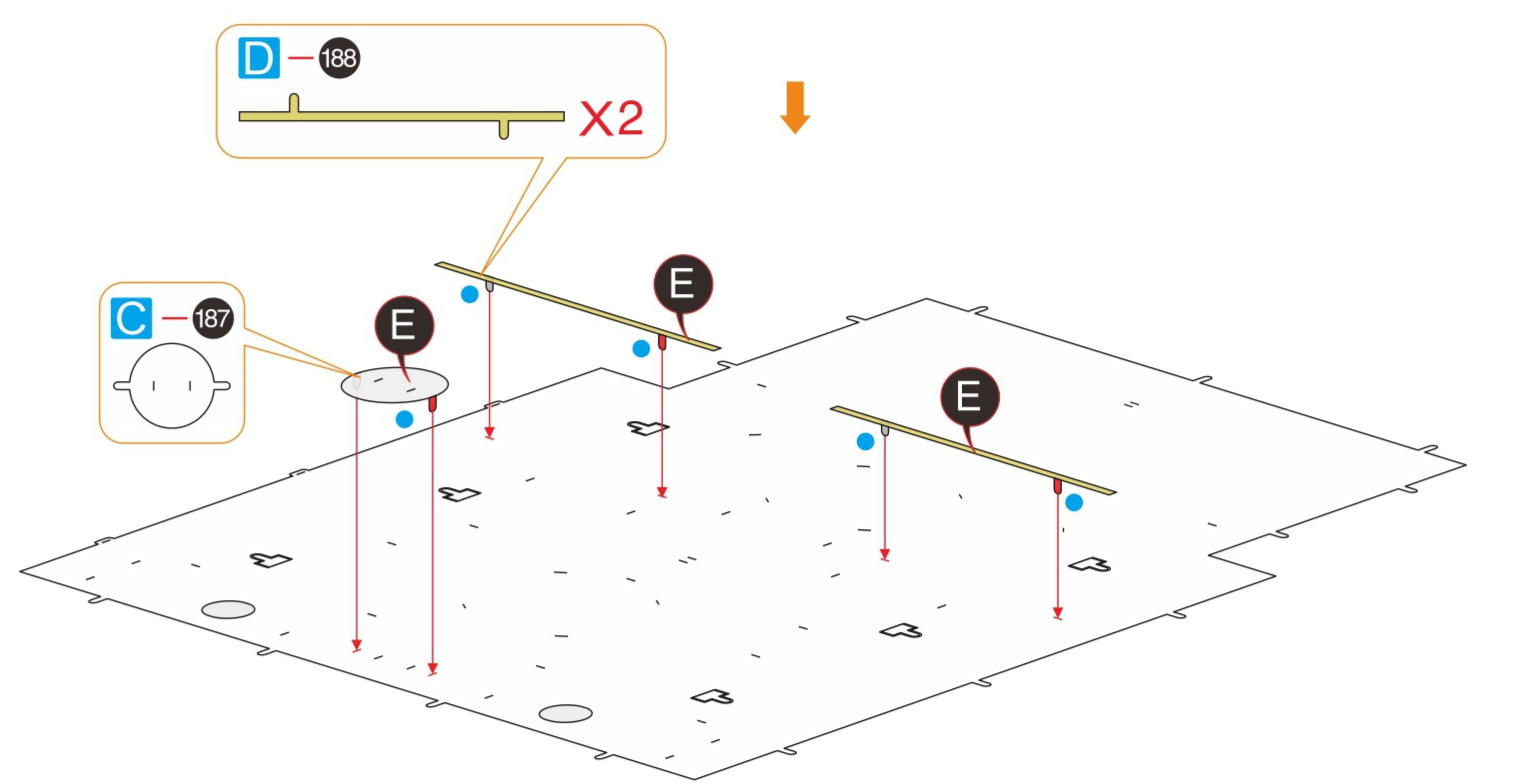
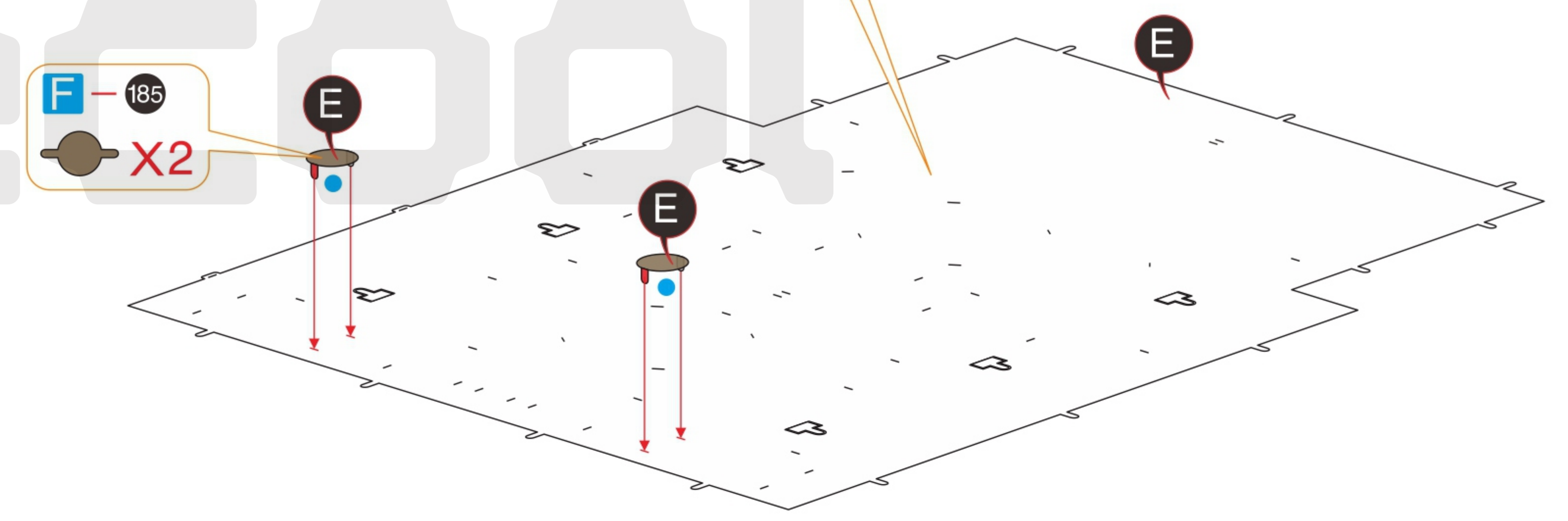
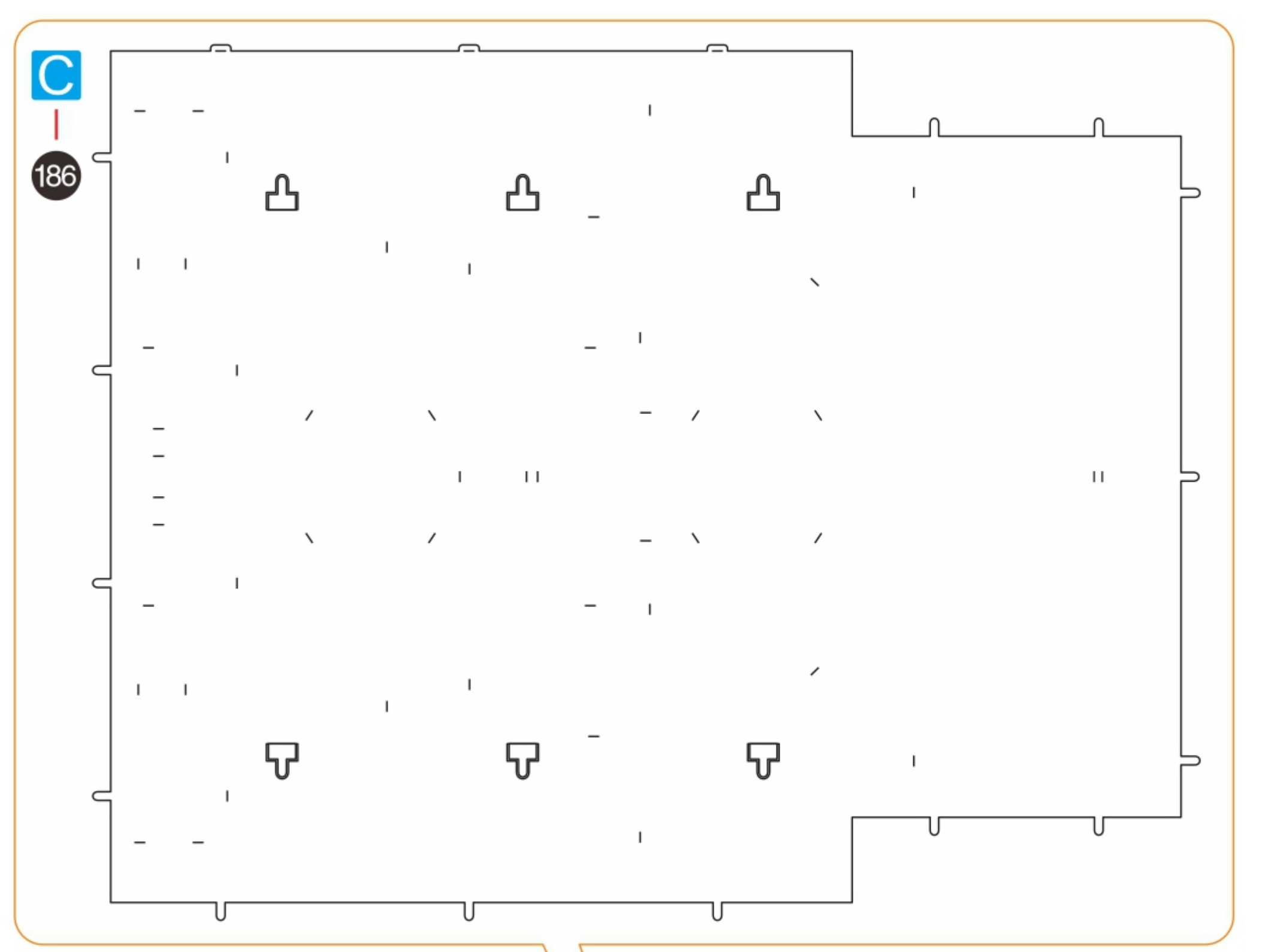
Step 51



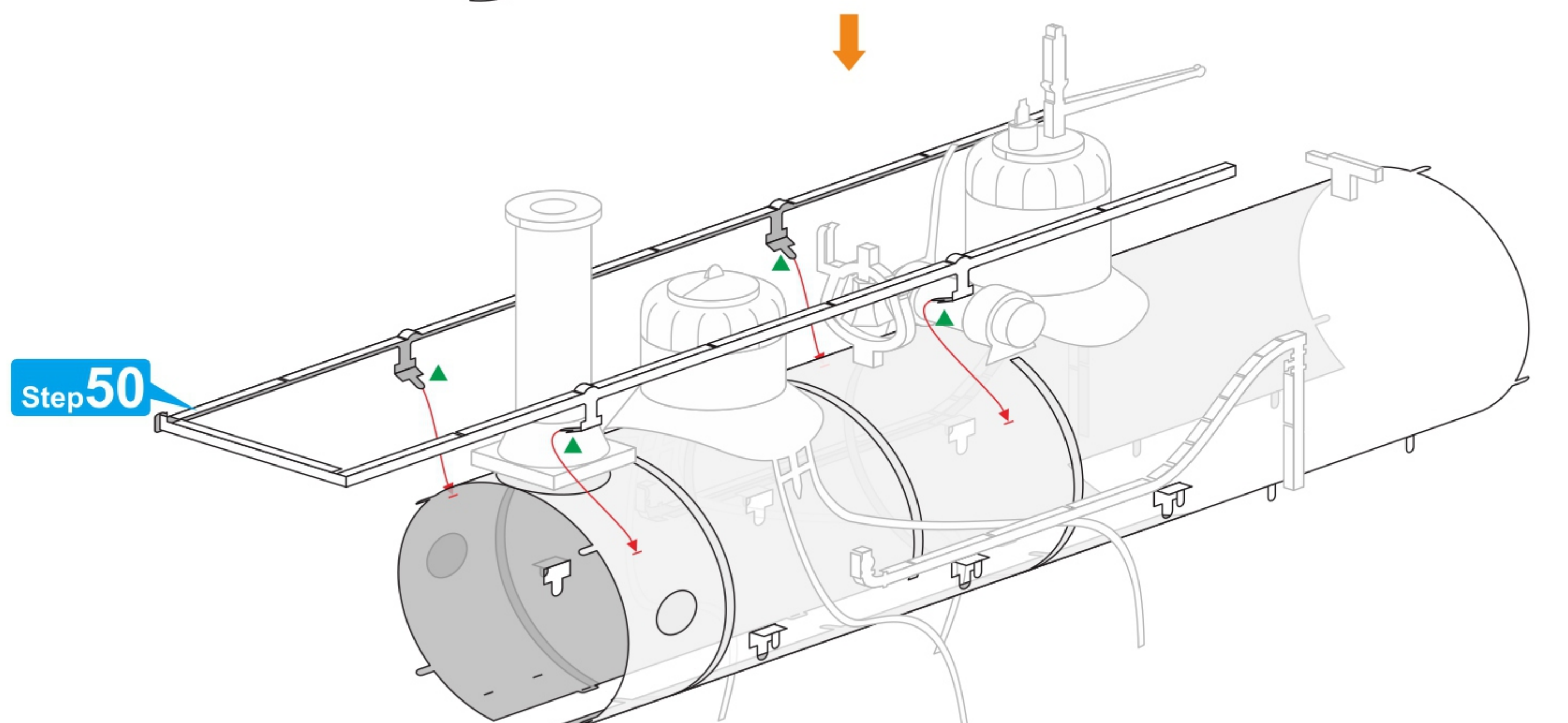
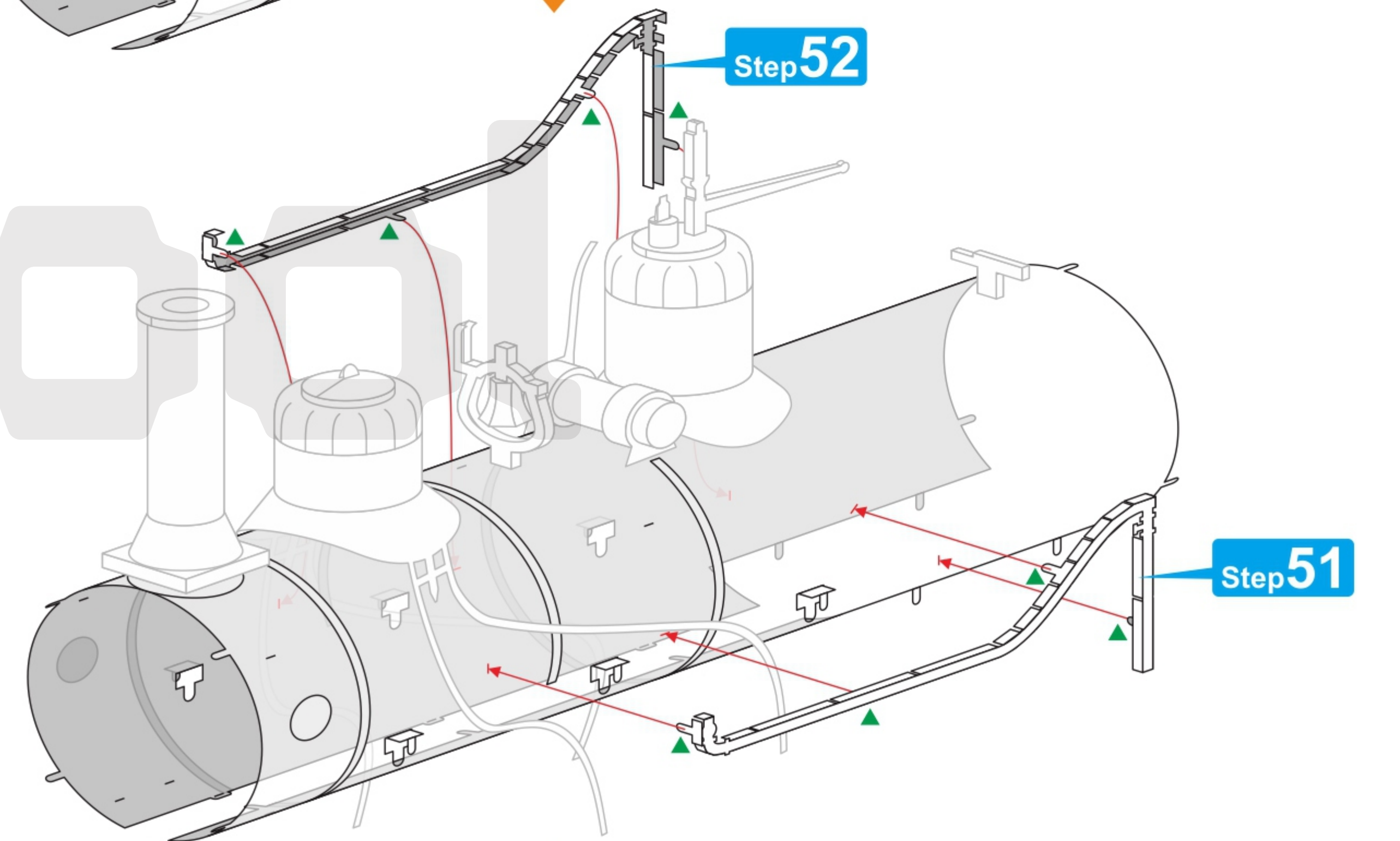
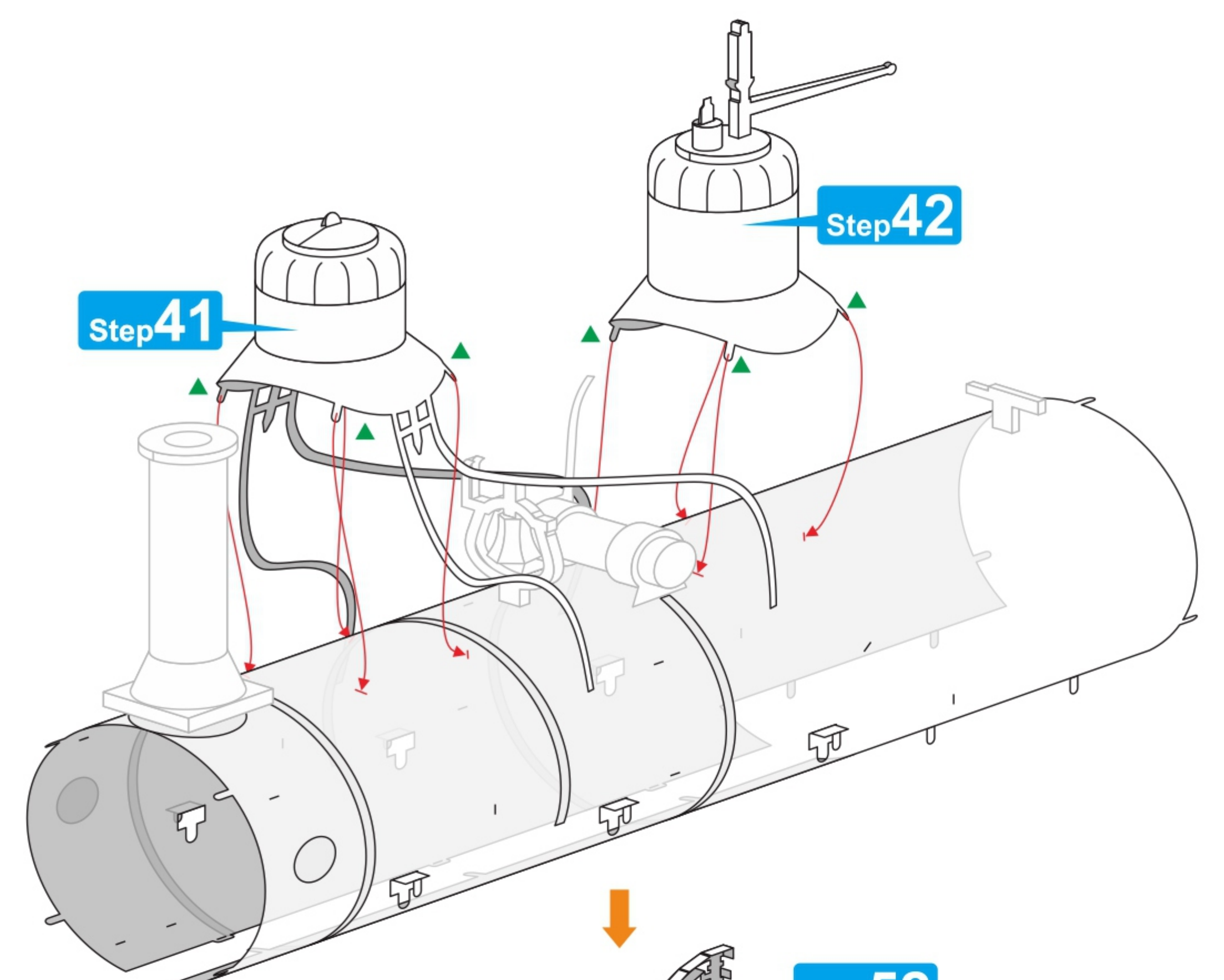
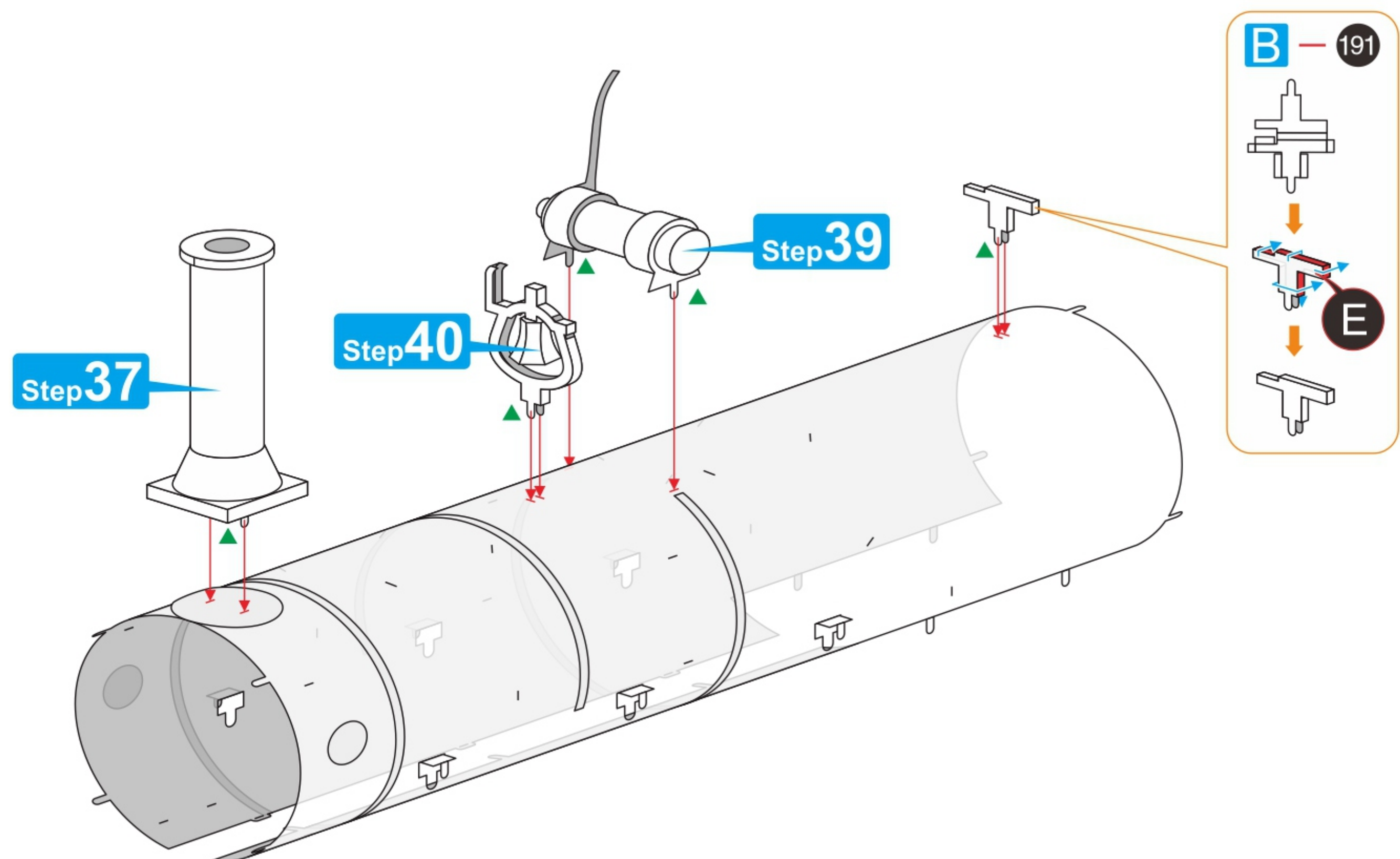
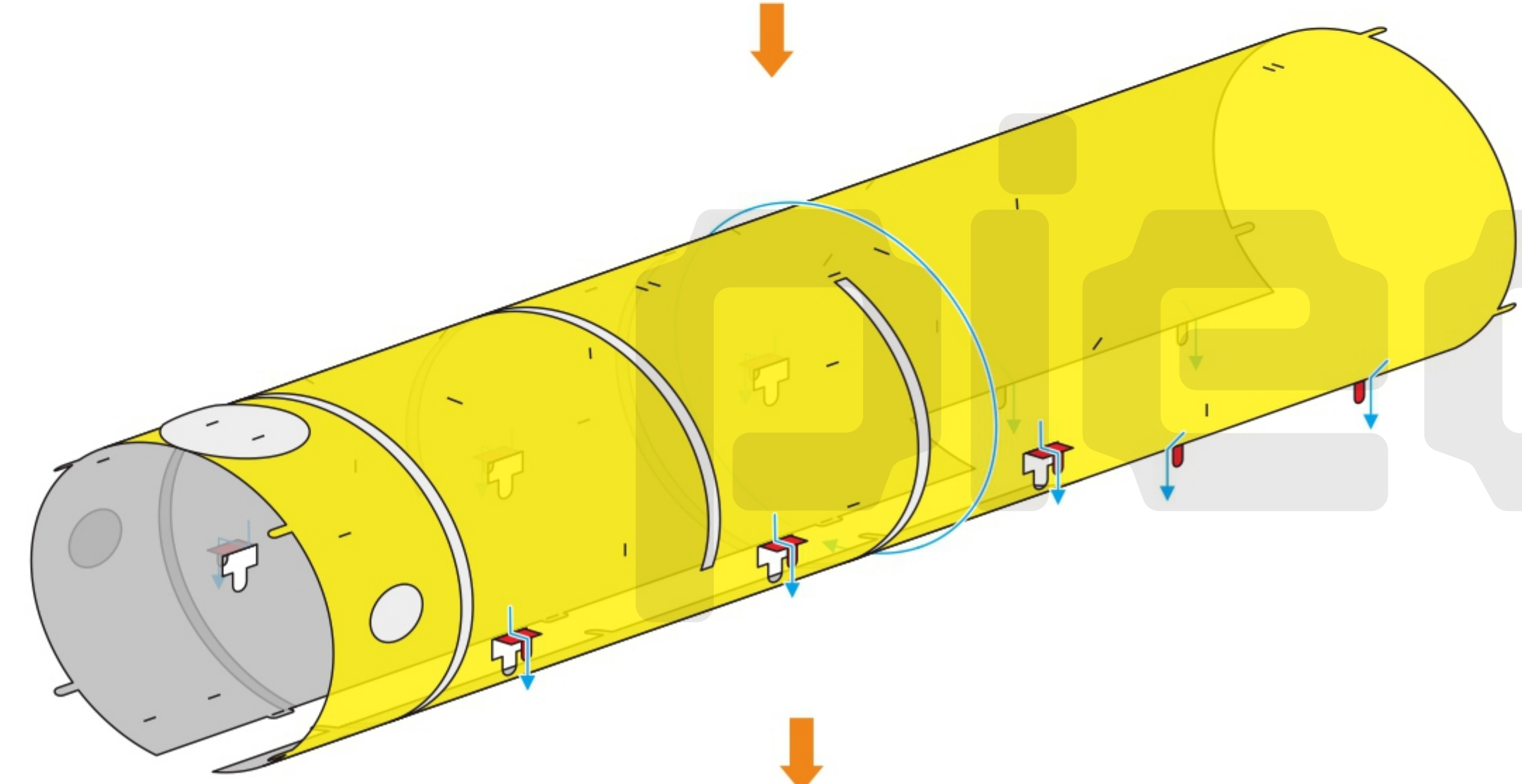
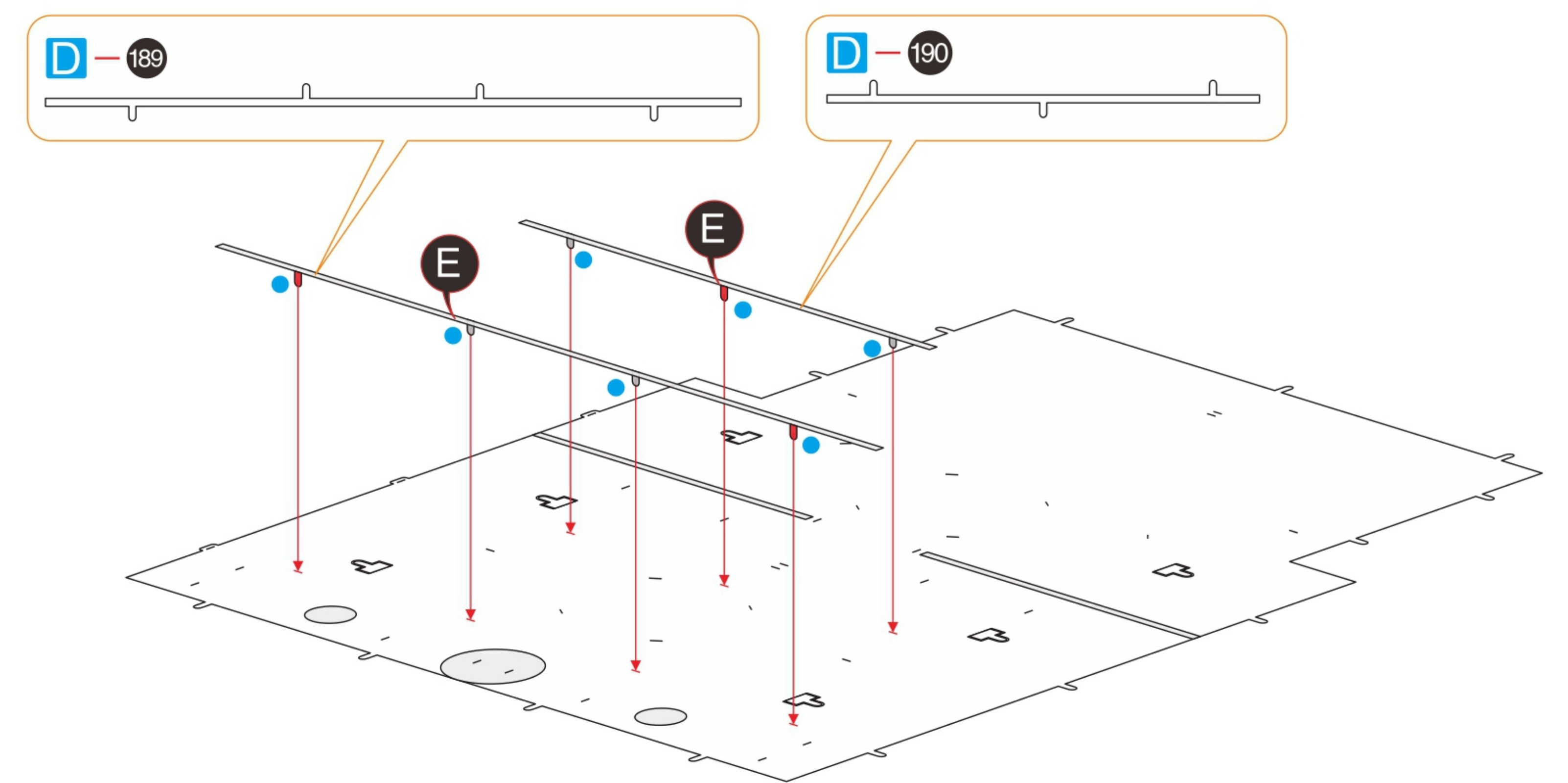
Step 52

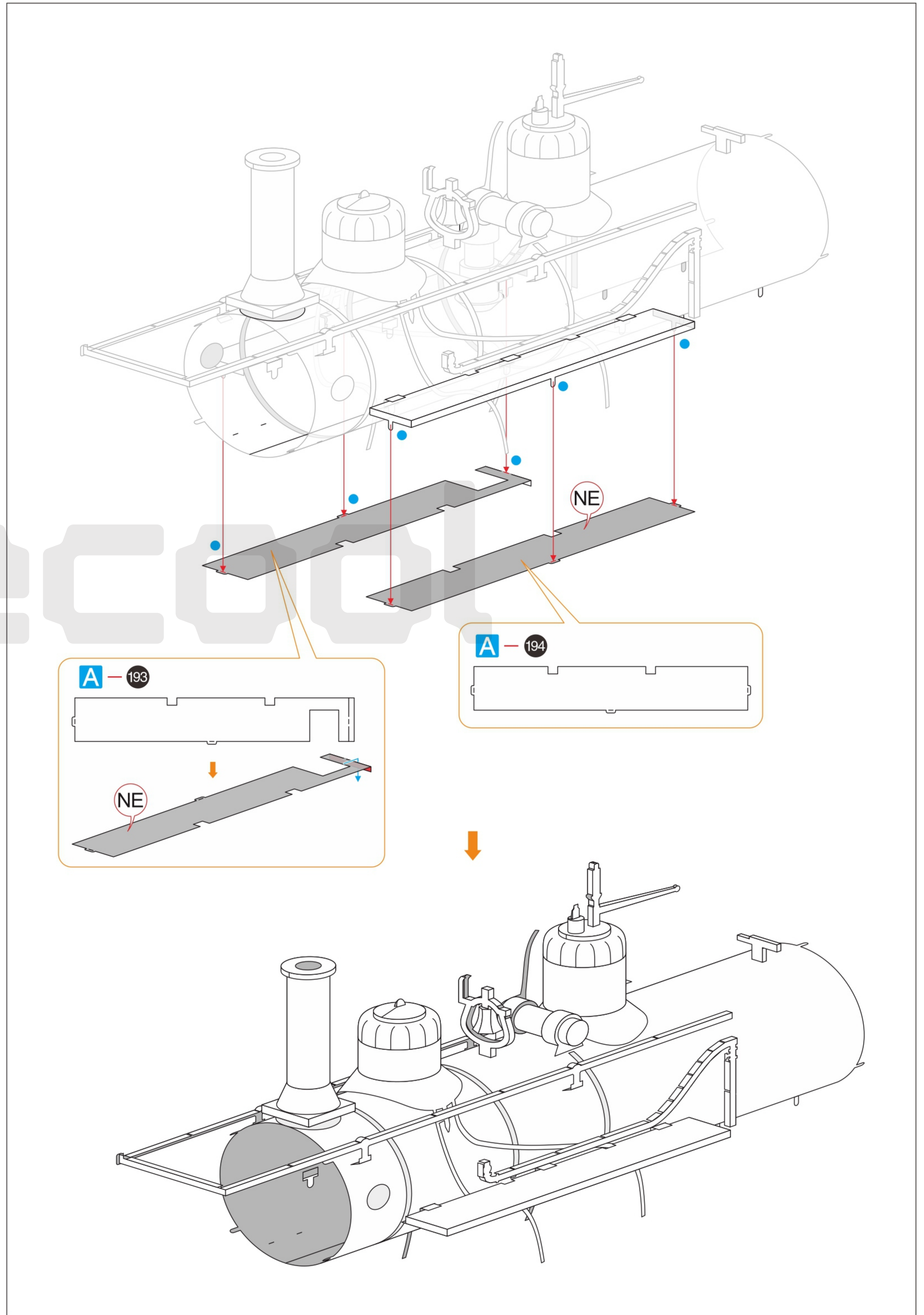
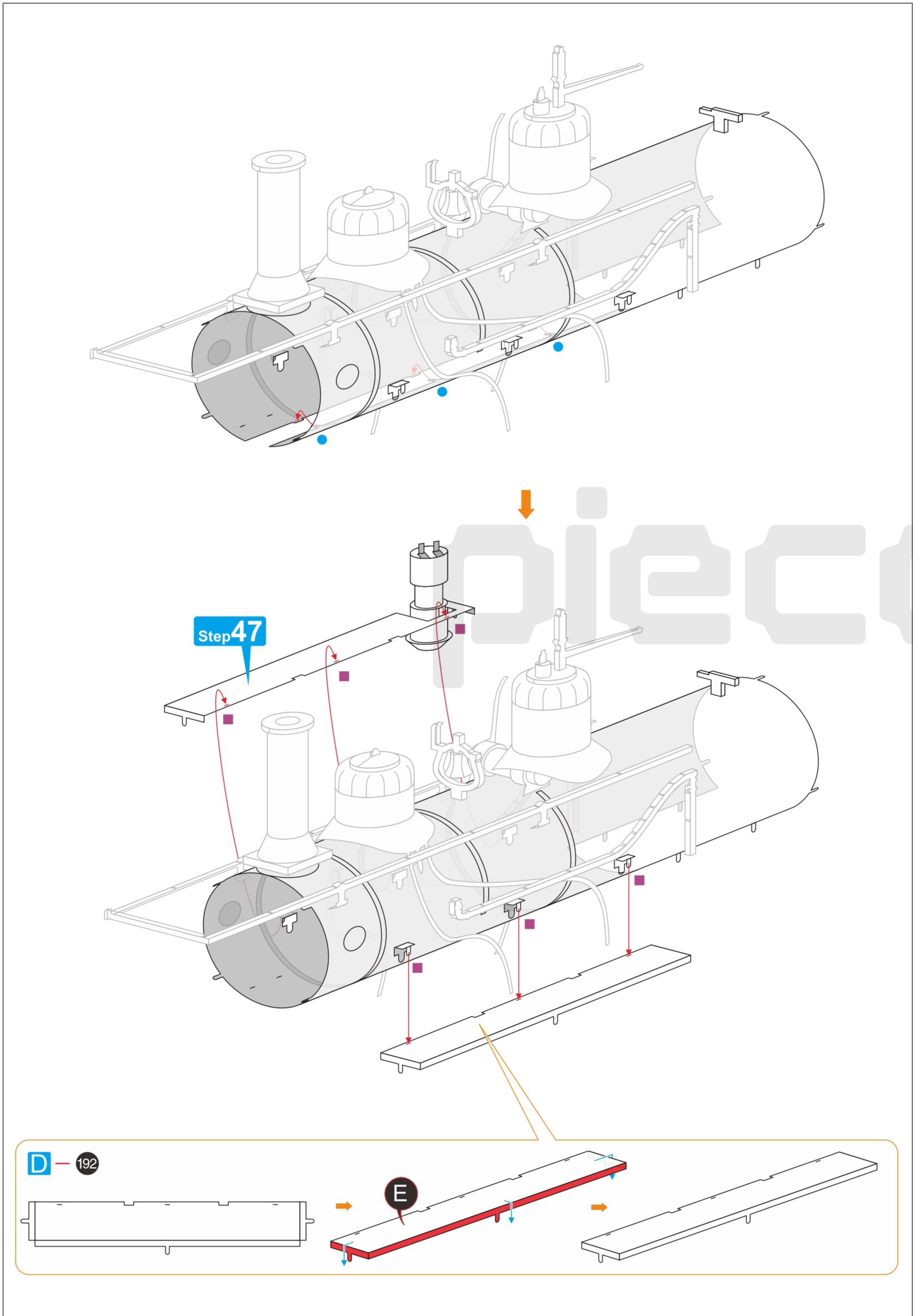


Step 53

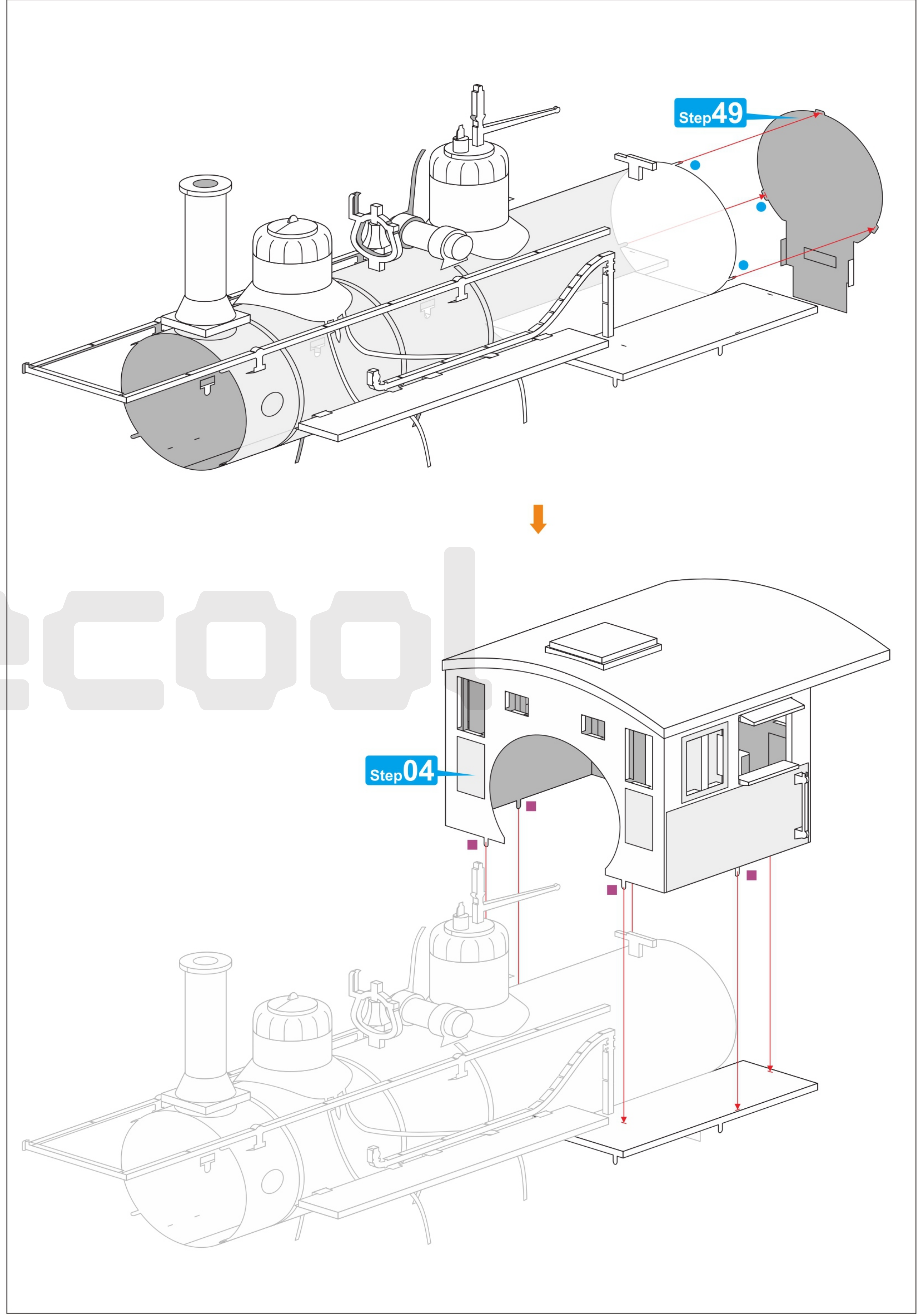
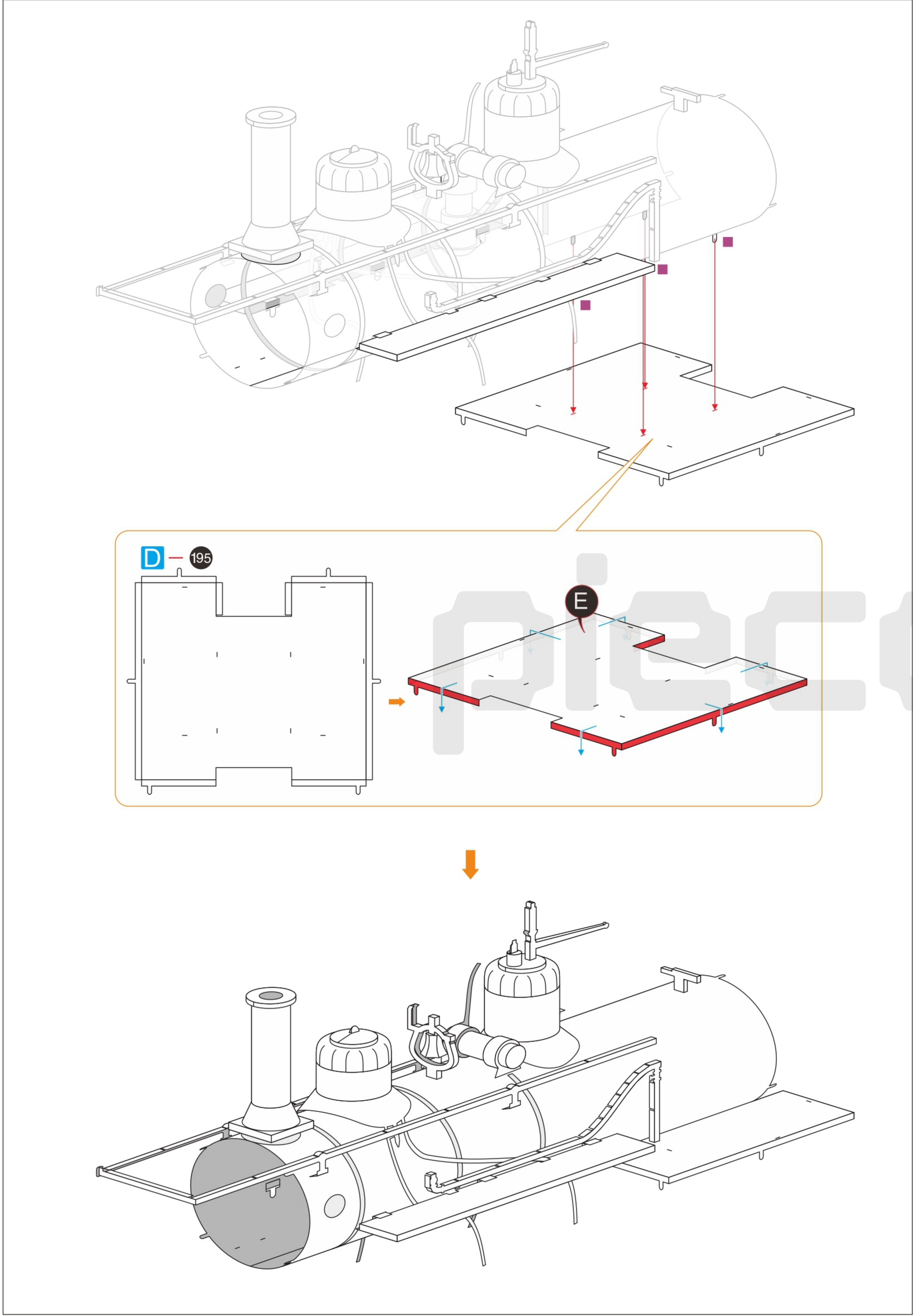


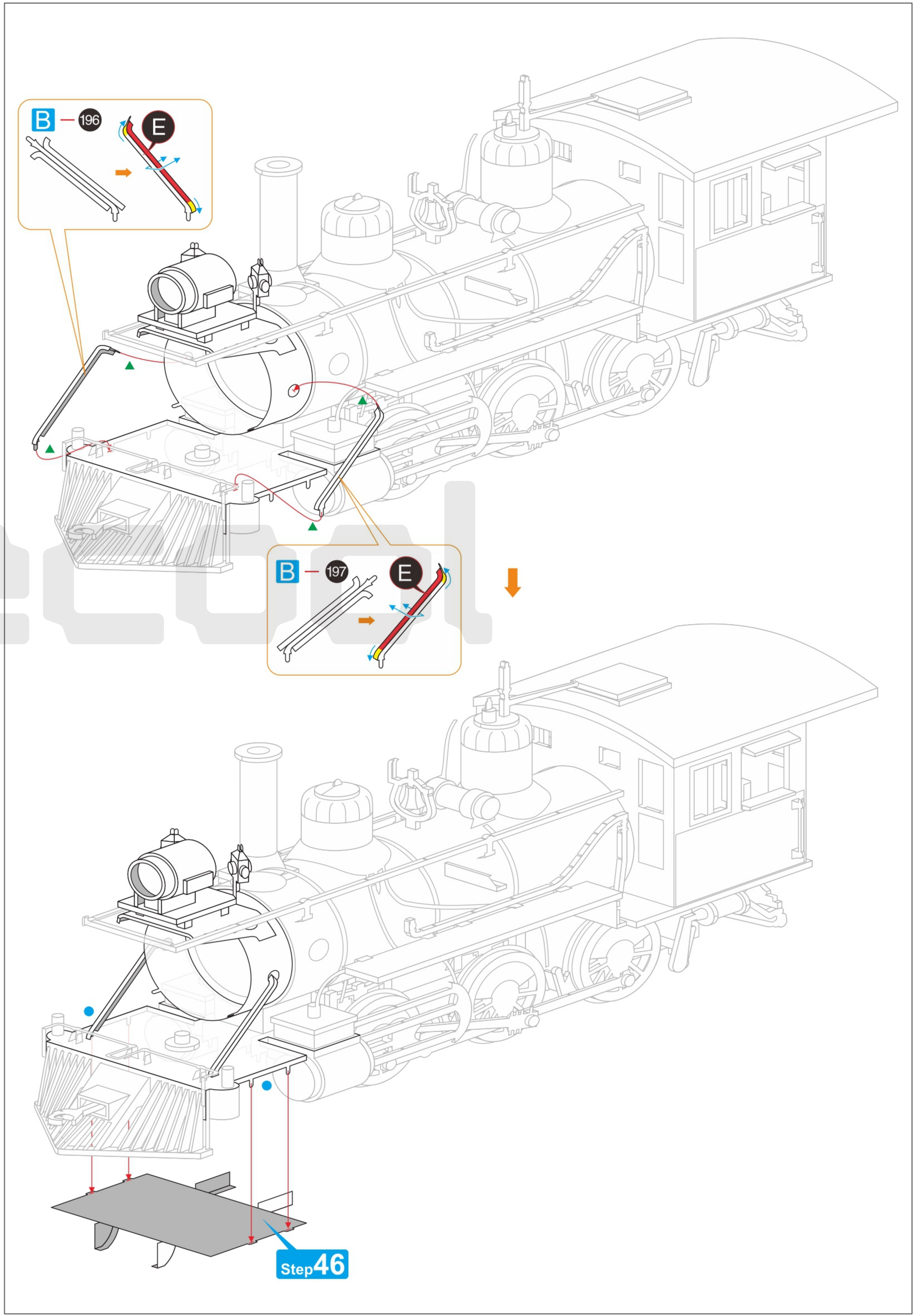
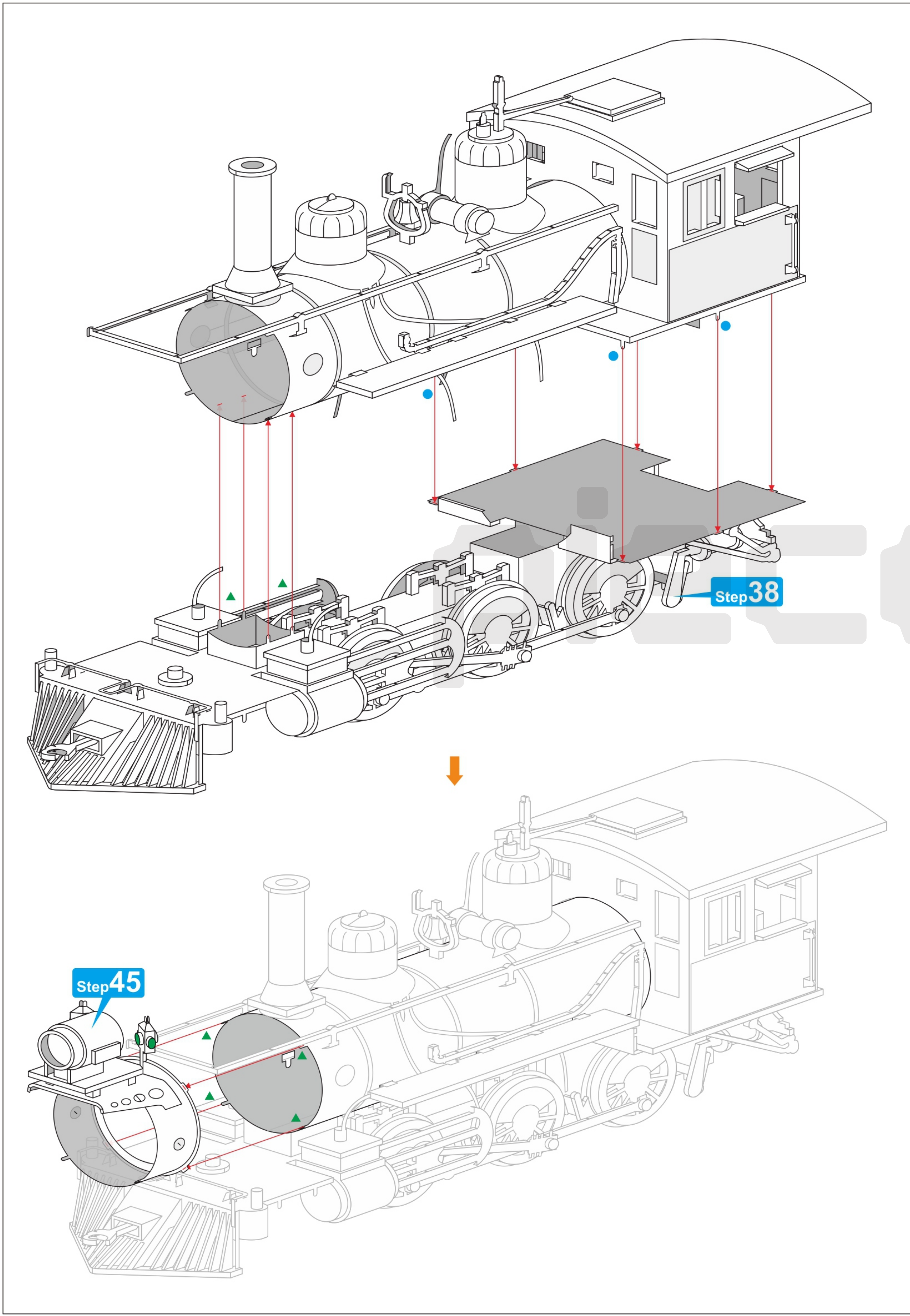
21 22
23 24





25 26
27 28





29 30
31 32

