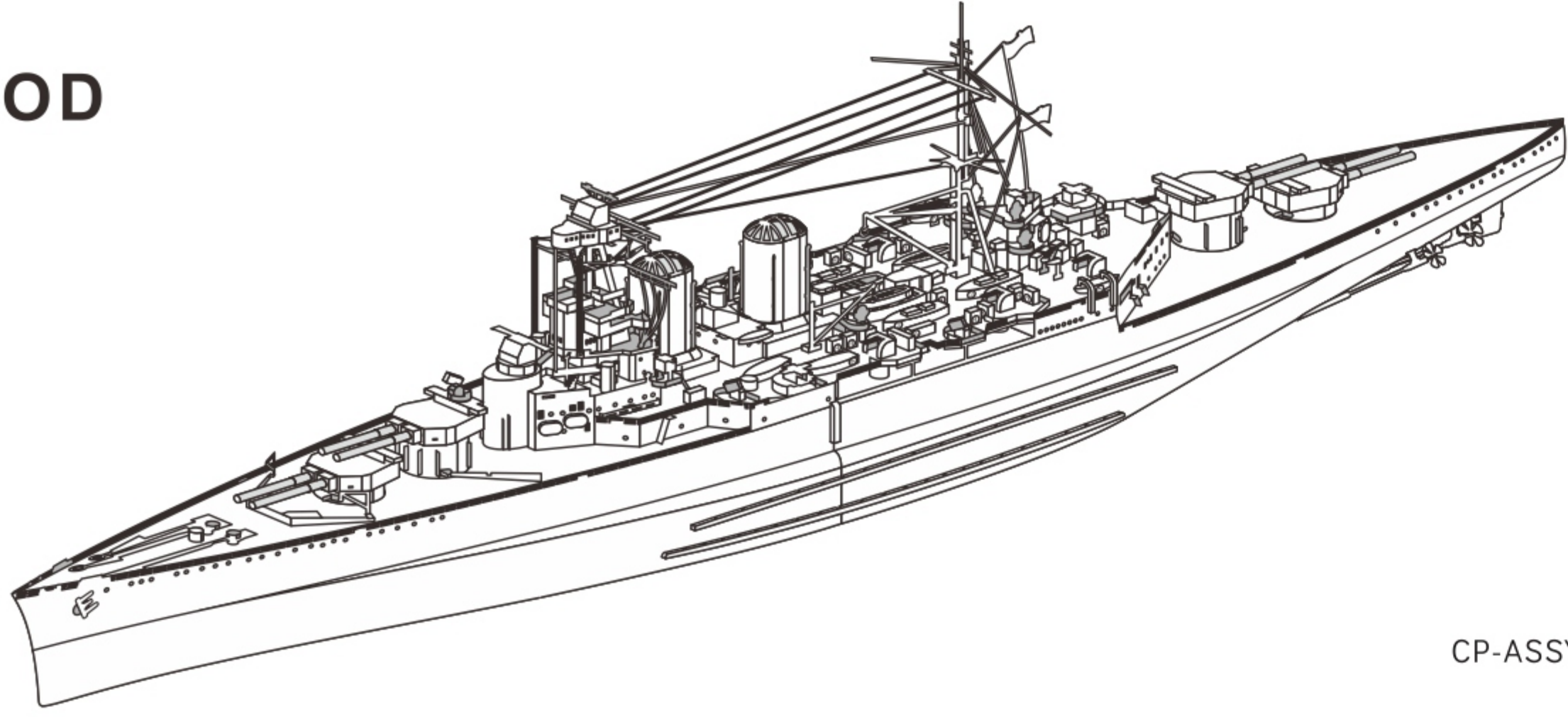


## HMS HOOD HP209

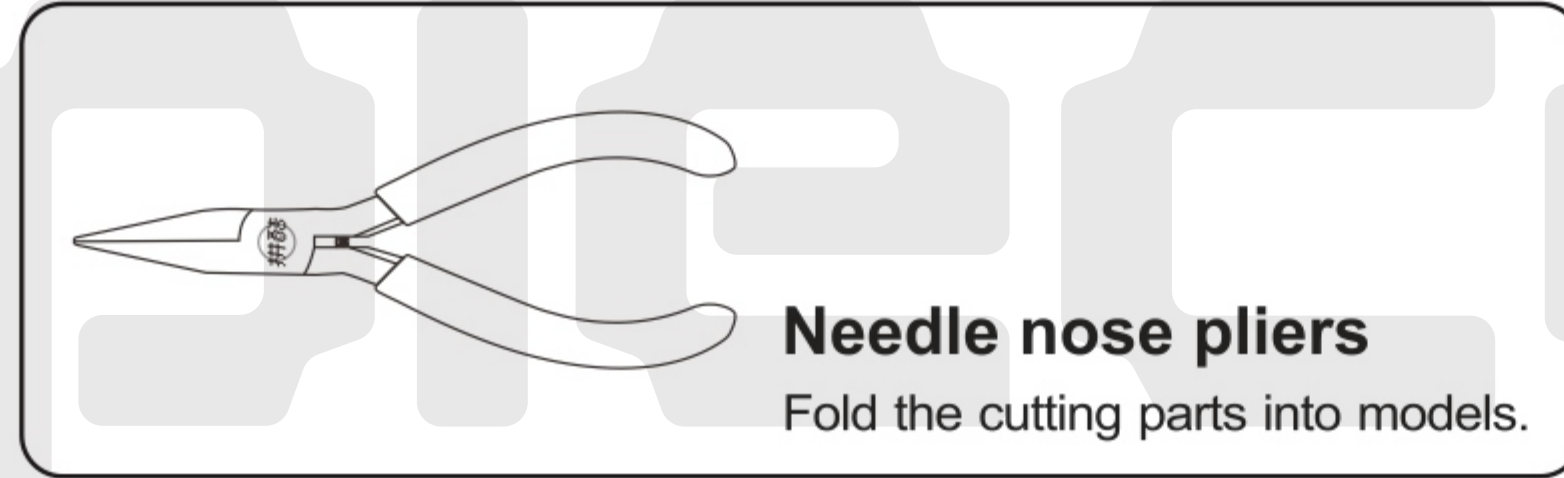
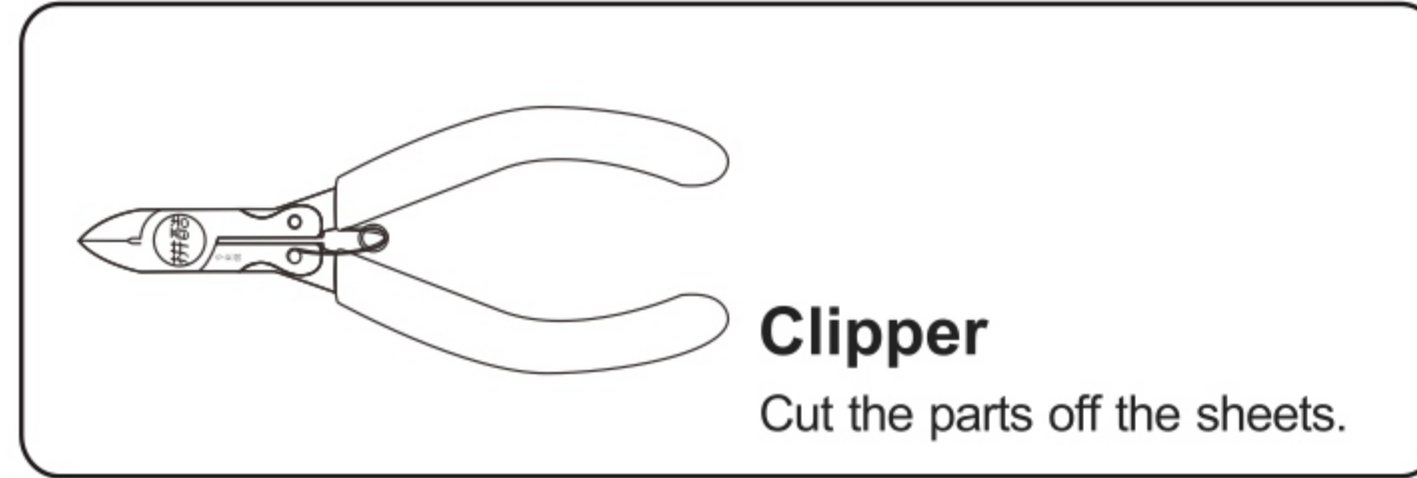


CP-ASSY-HP209#-A1-20210807

### Installation Reminder

**WARNING** – Please handle metal sheets with care. The parts may have sharp edges that could cut or scratch skin. Keep away from children.

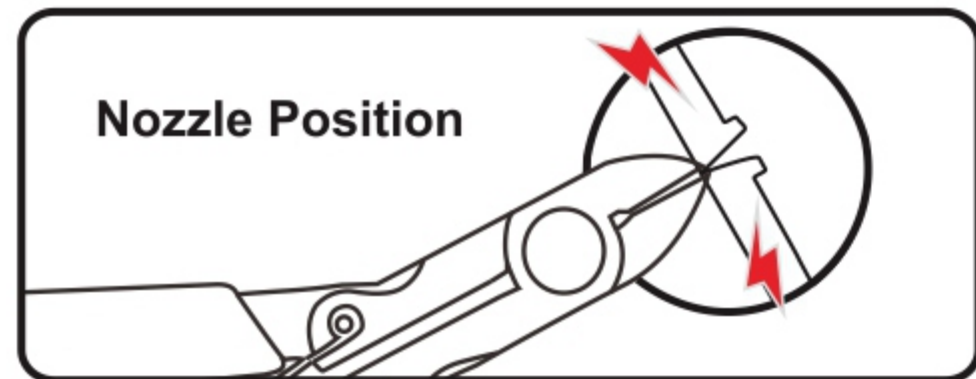
#### • Prepare tools:



It is recommended to use piececool authentic assembly tools to build or fix the design. It is tailor made for the metal pieces and user friendly.

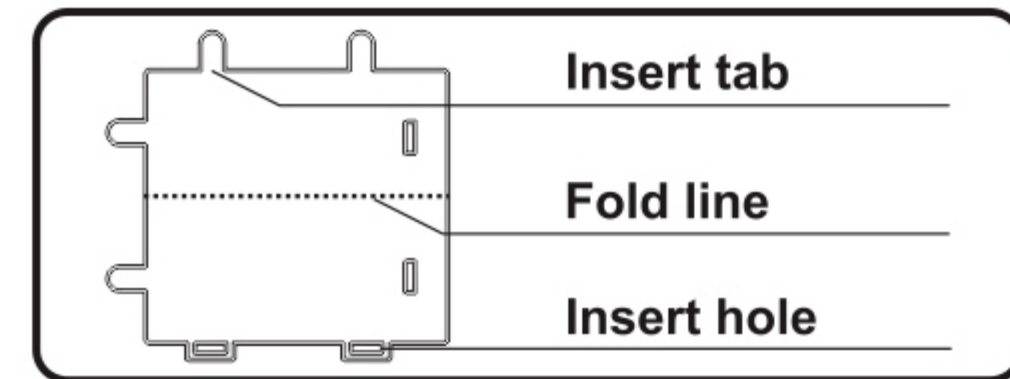
#### • Installation Method:

##### a. Remove the parts



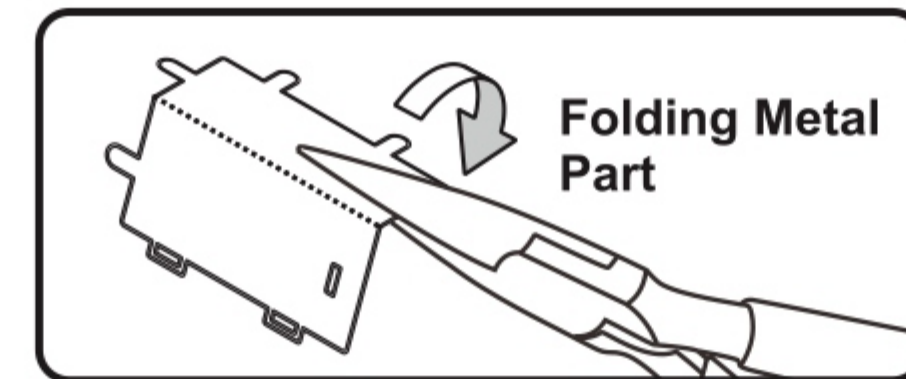
Please use the clipper to cut the nozzle position and remove the parts.

##### b. Identify the parts



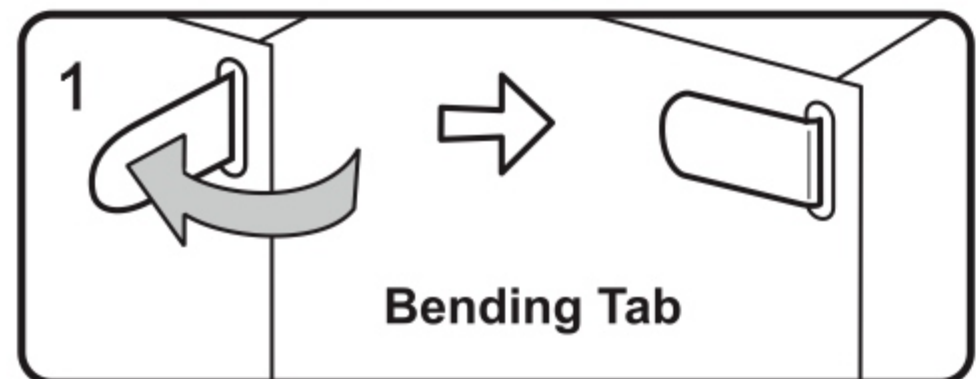
Identify the insert tab, fold line and the insert hole.

##### c. Folding the parts

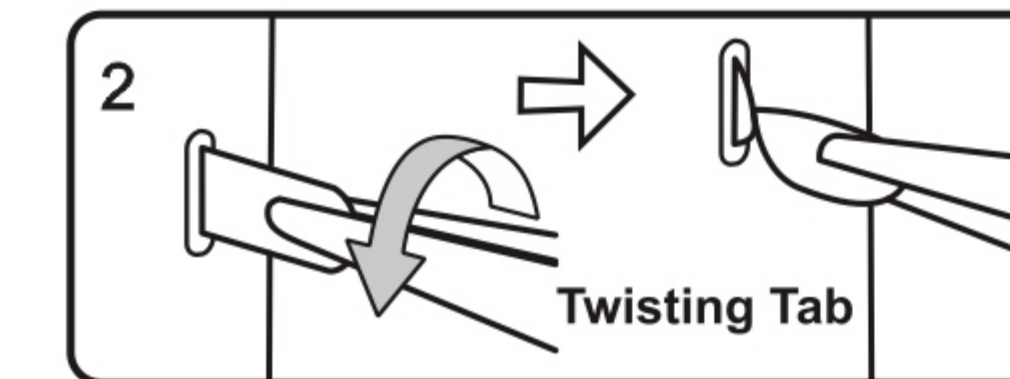


Please use the needle nose pliers to fold the cutting parts into models.

##### d. Retaining the parts



Insert the hole, bending tab with angle 90°



Insert the hole, twisting tab with angle 90°

#### • Attention :

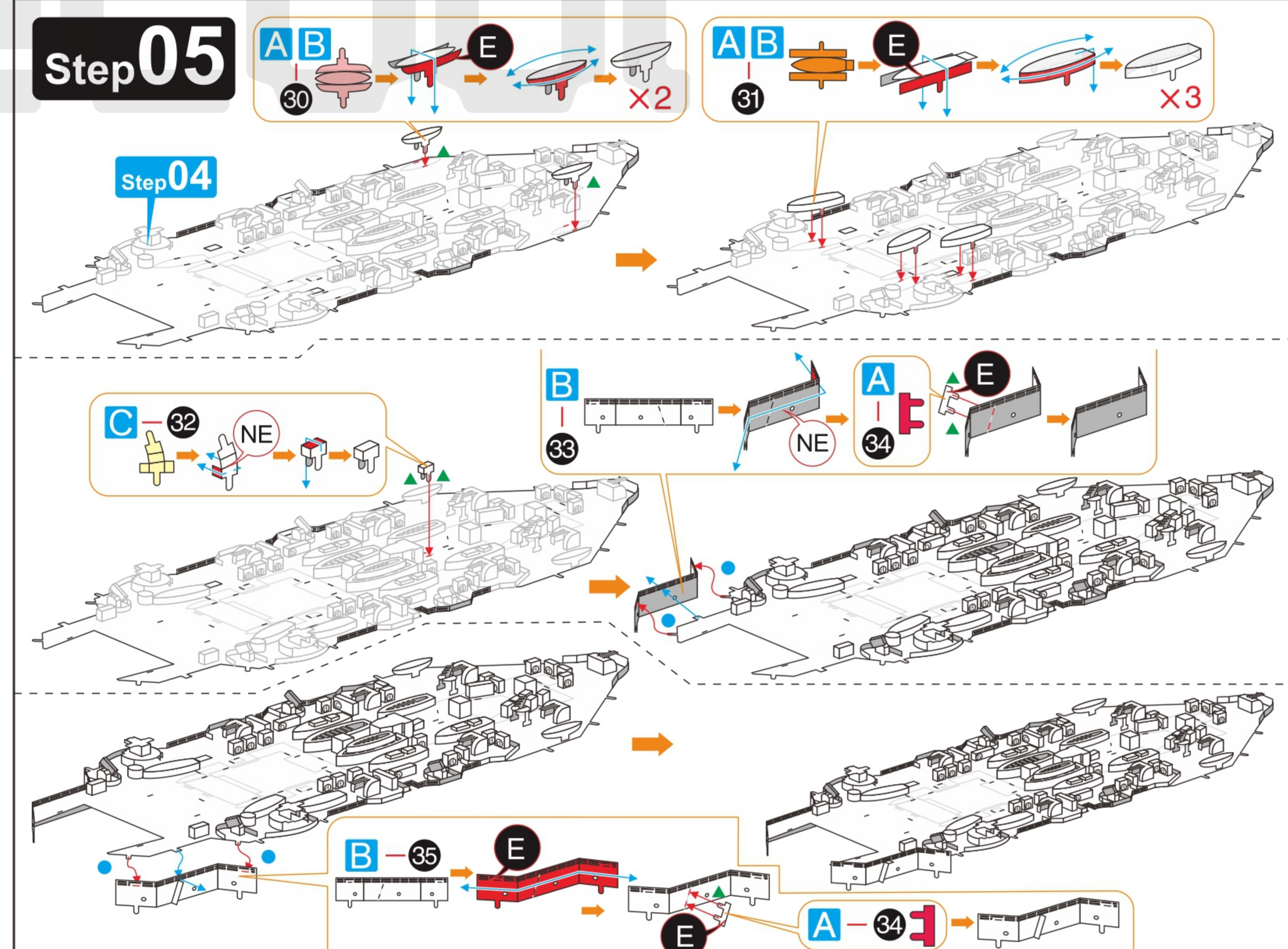
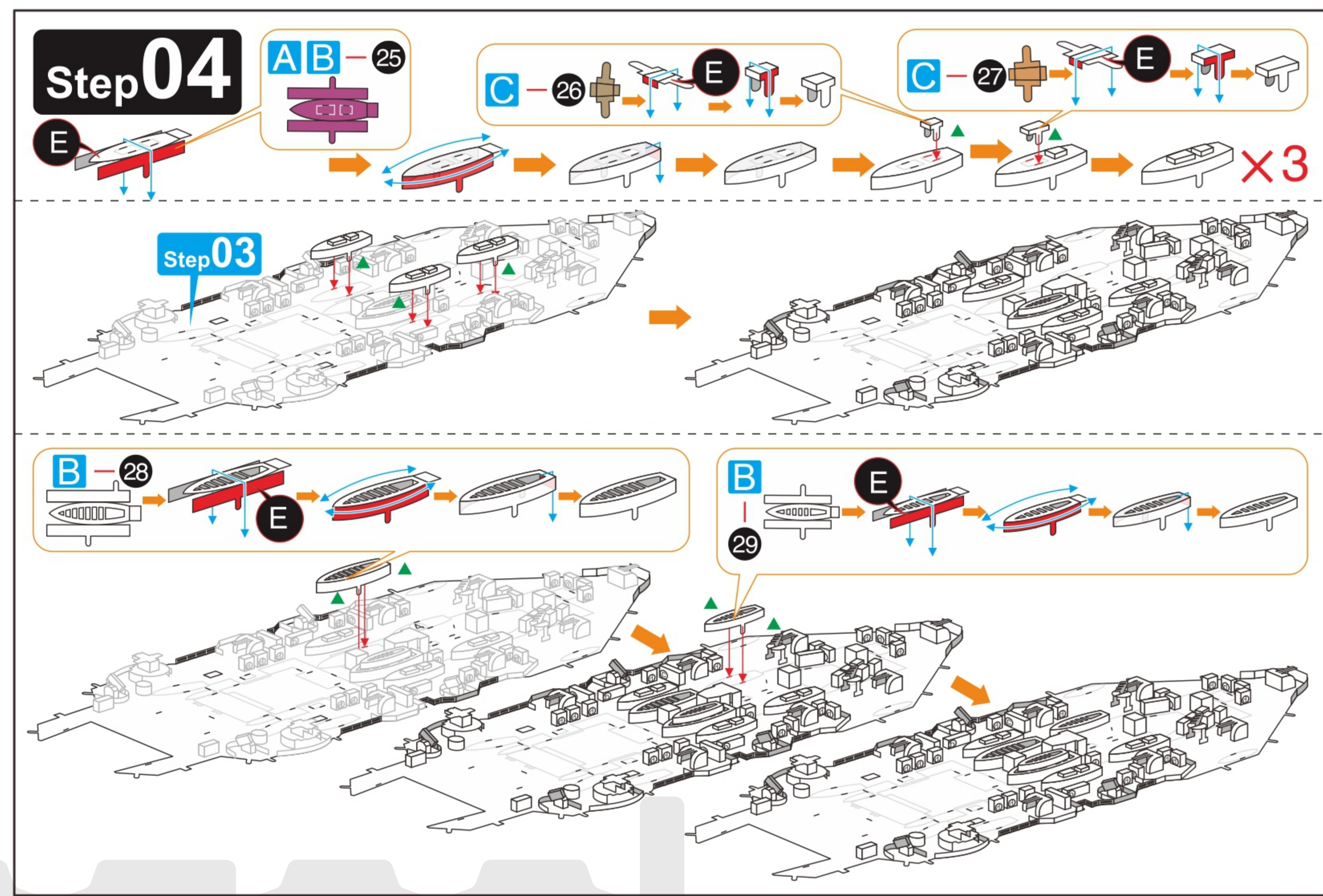
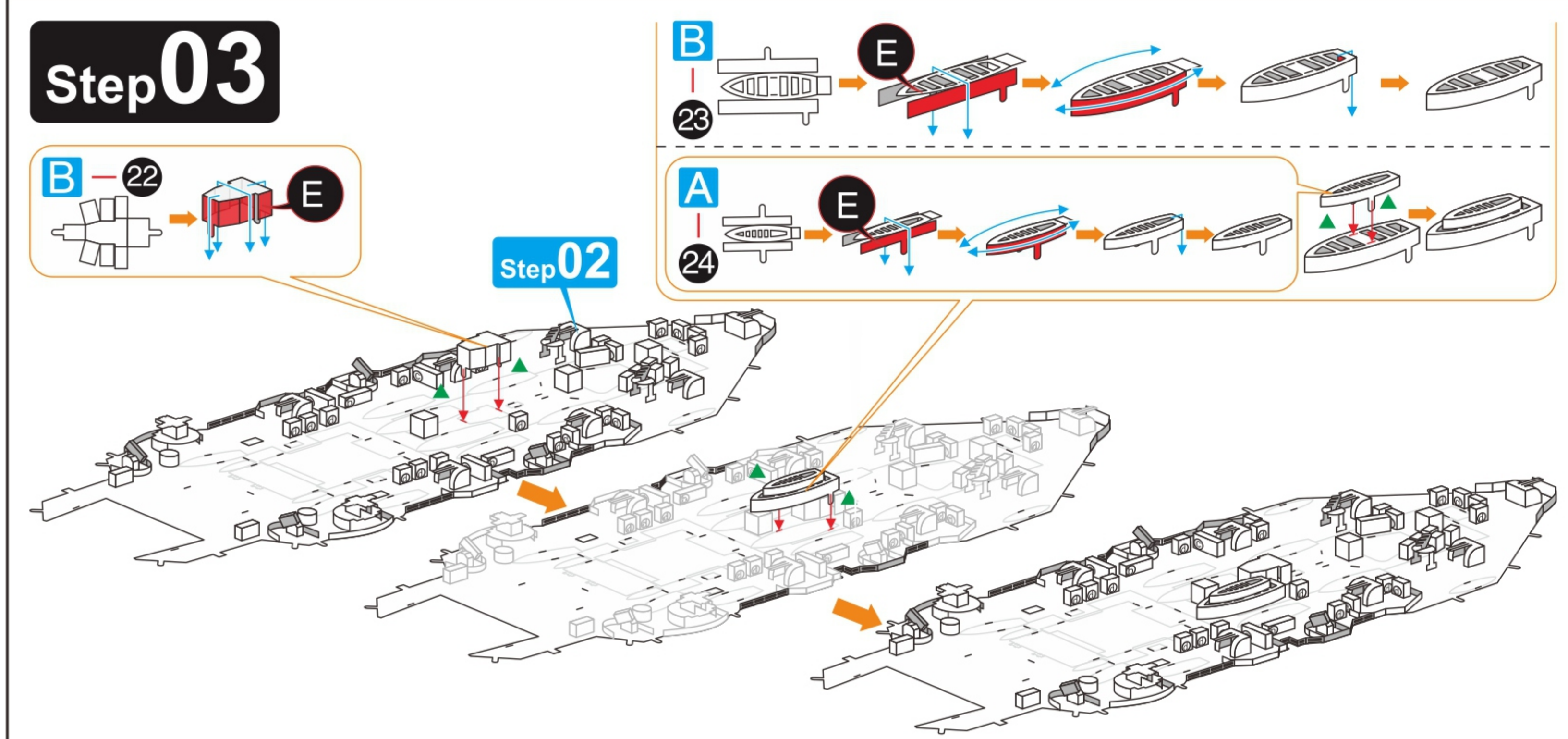
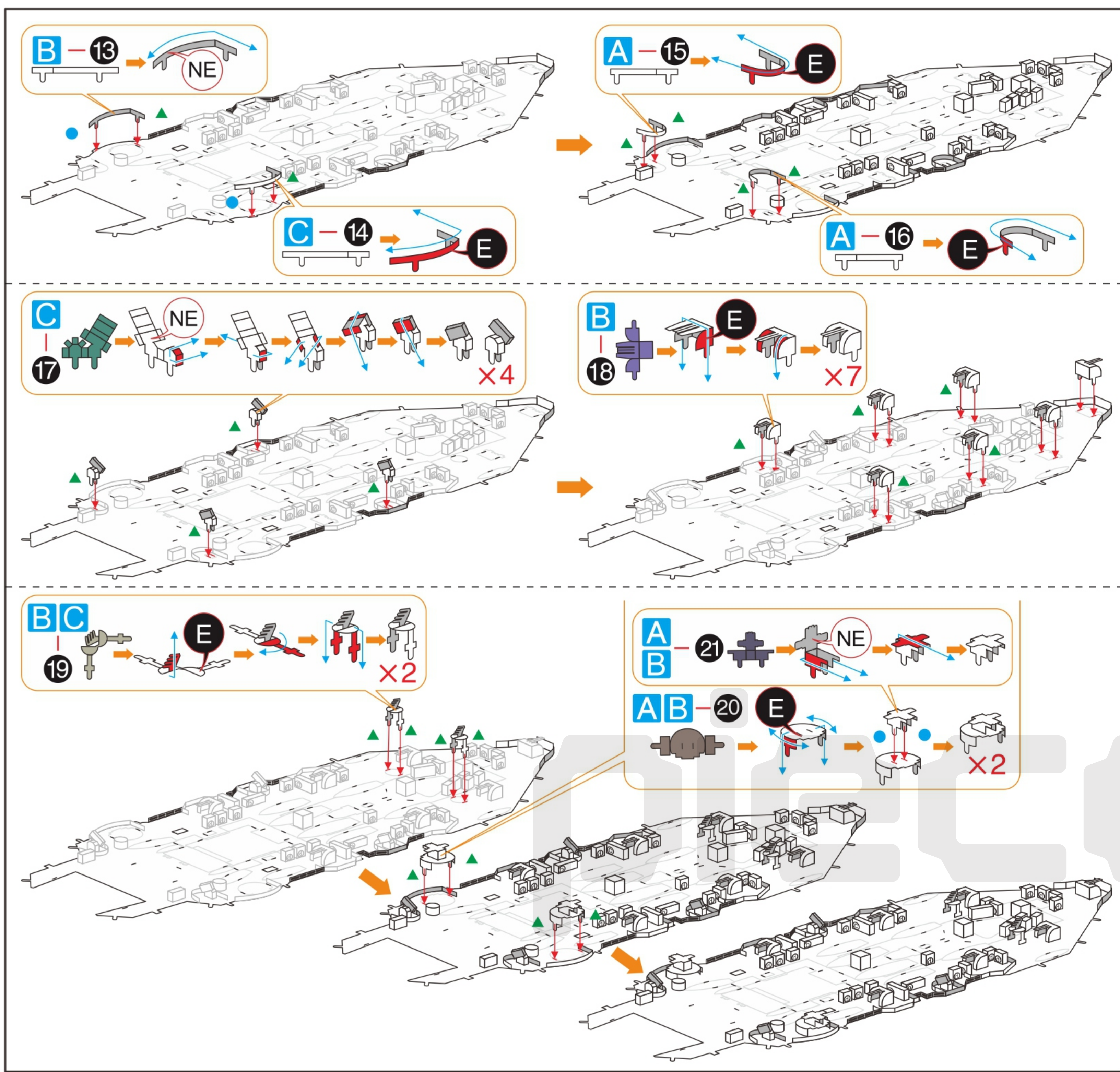
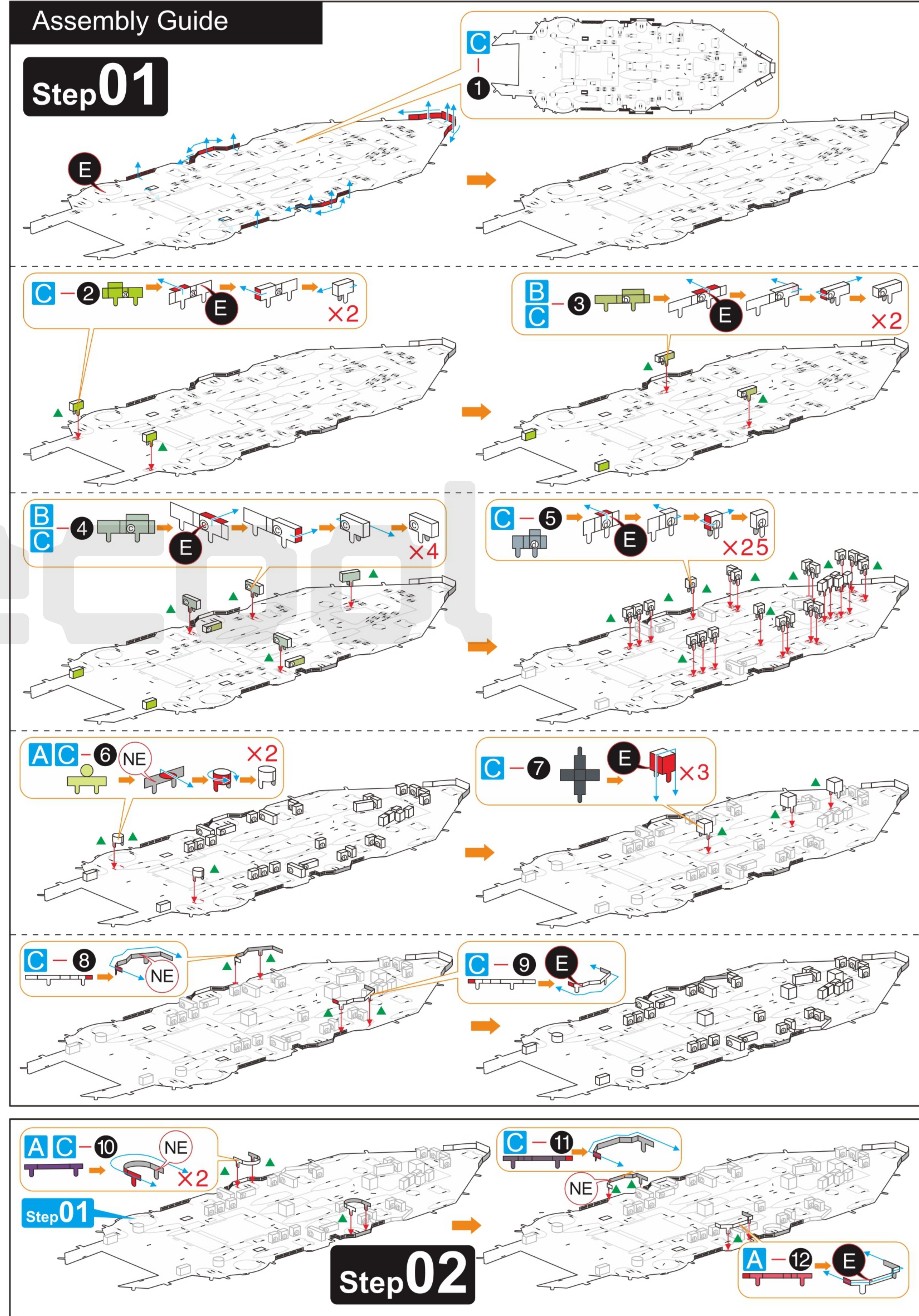
- E** Engraved / Color side
- NE** Non-engraved / Silver side
- !** Attention Point
- ||** Keep the parts symmetrical

When cutting metal parts, please do not cut the "insert tab" as "nozzle position". Only cut the parts of the current step when cutting the parts. Do not cut all the parts at one time to avoid loss.

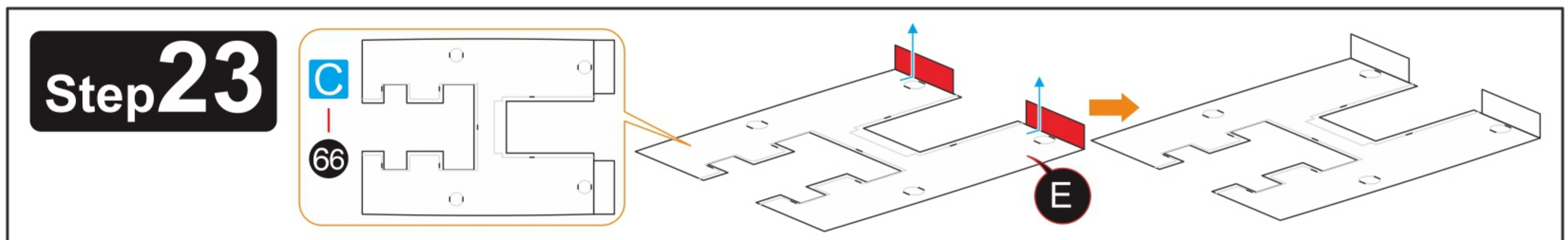
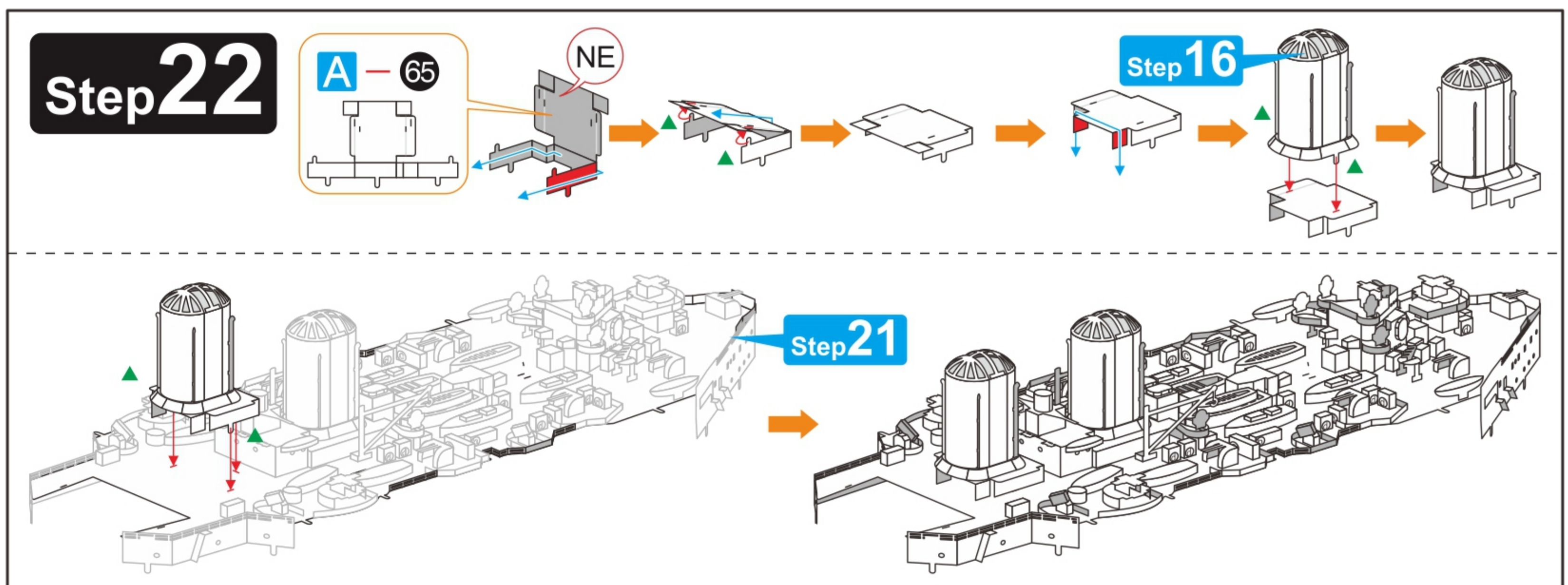
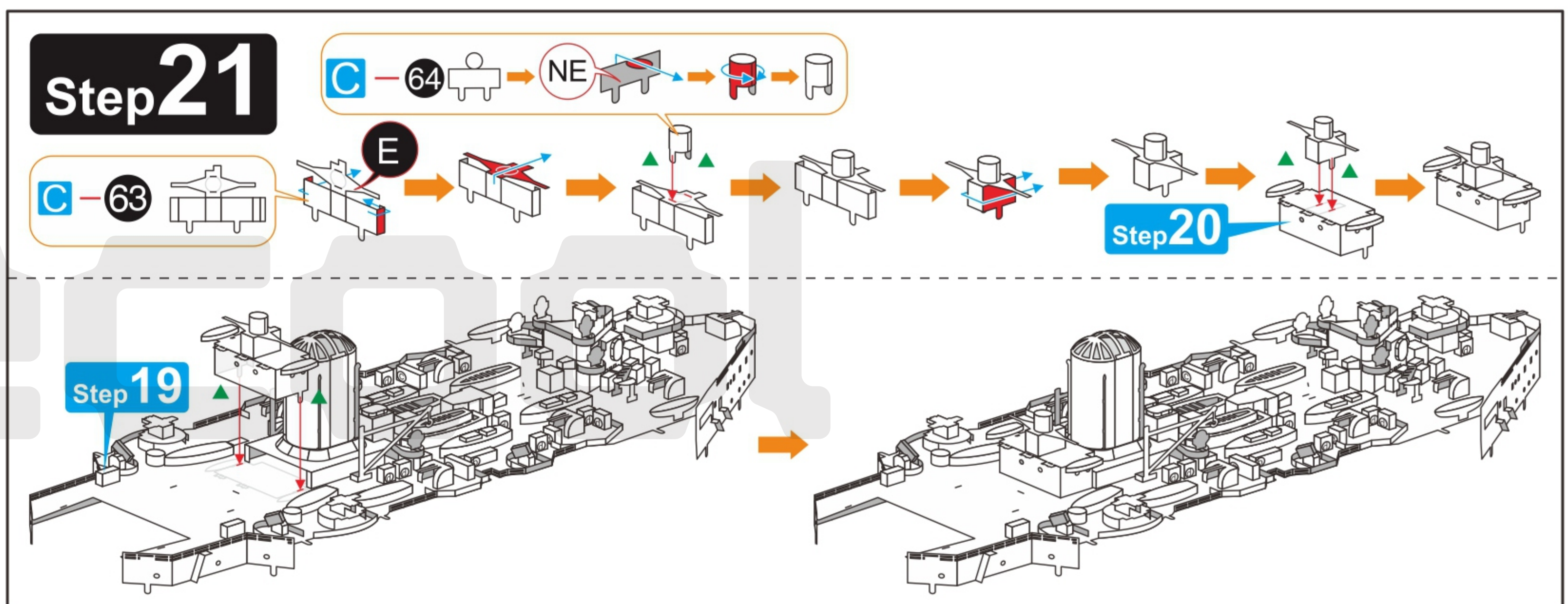
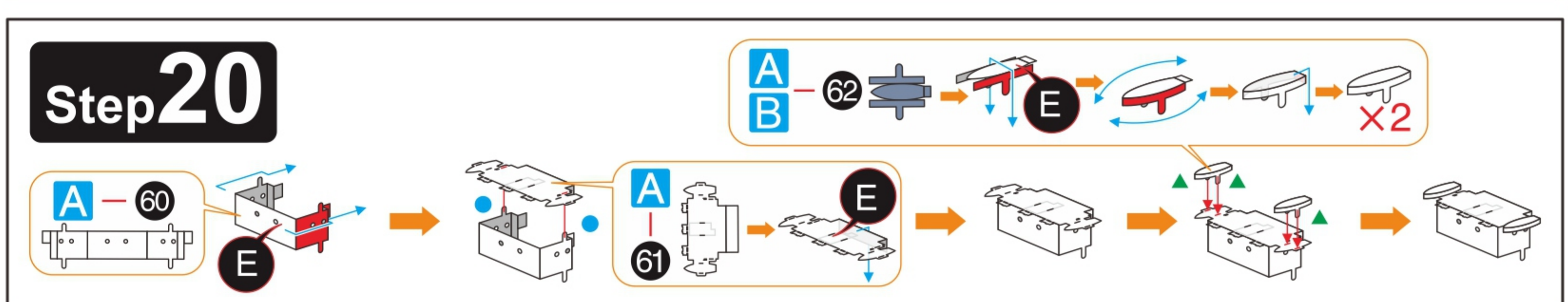
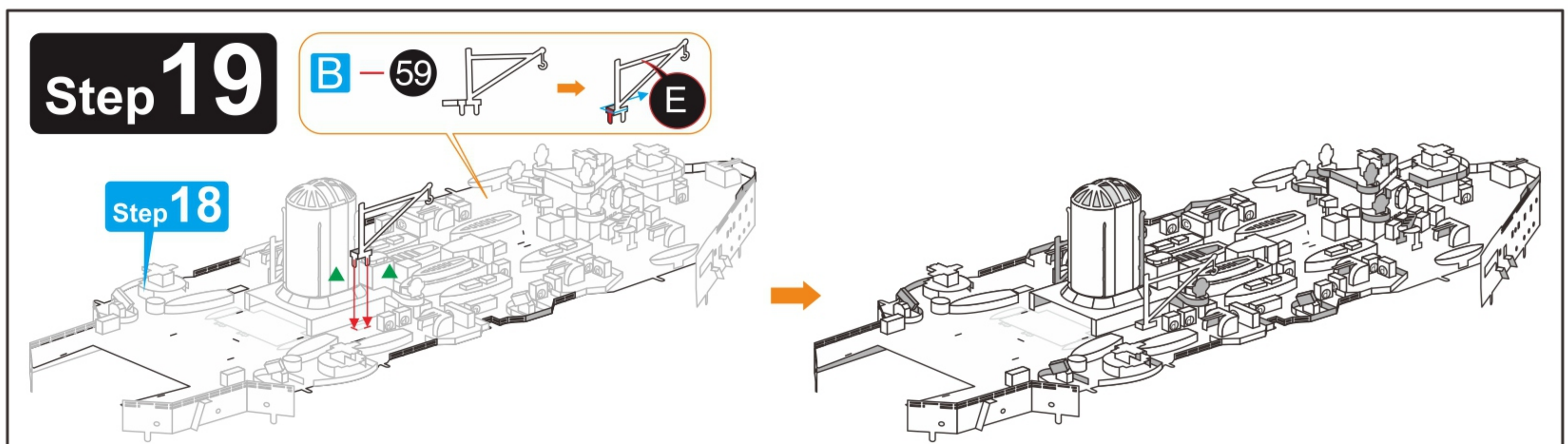
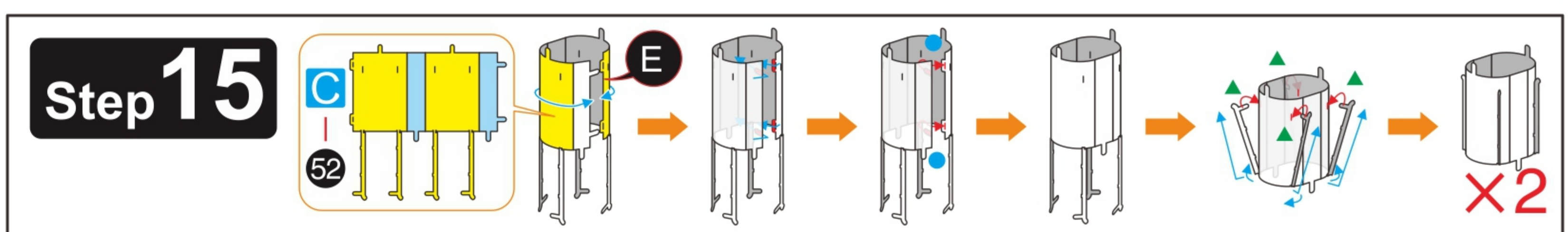
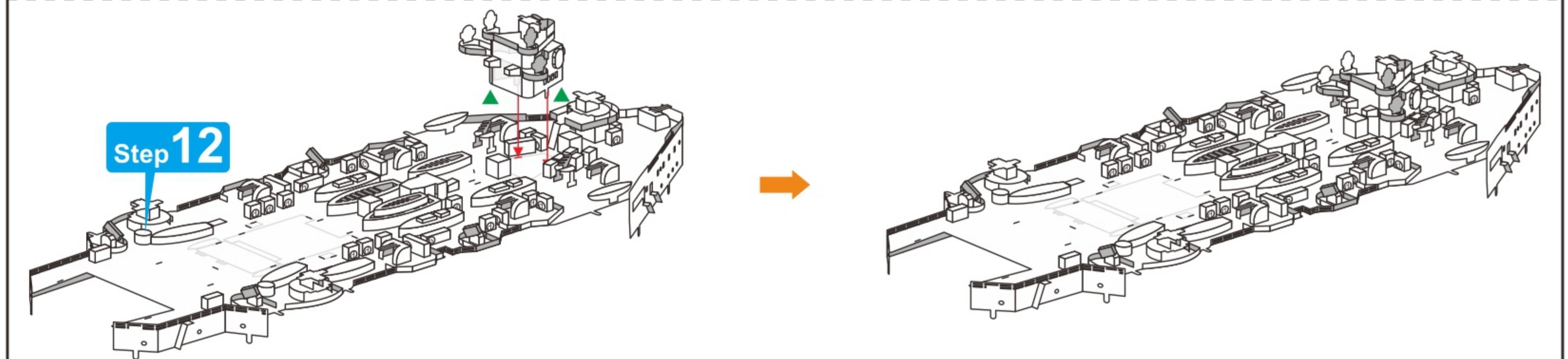
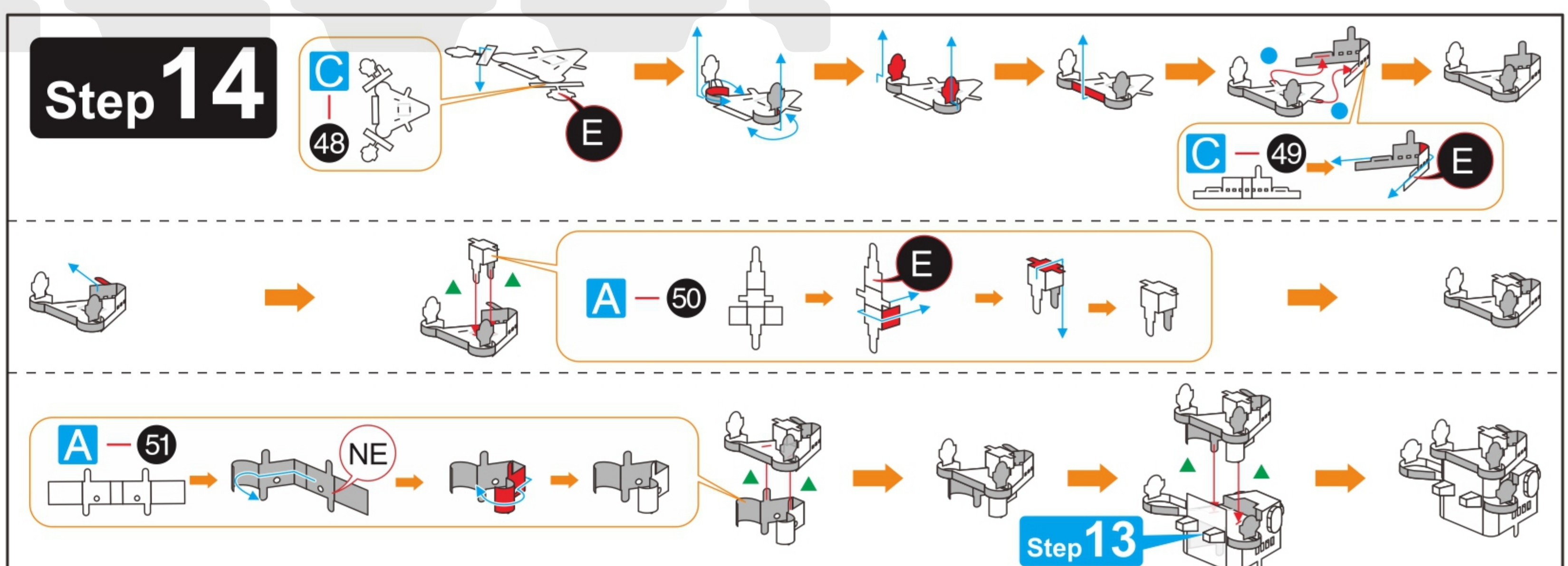
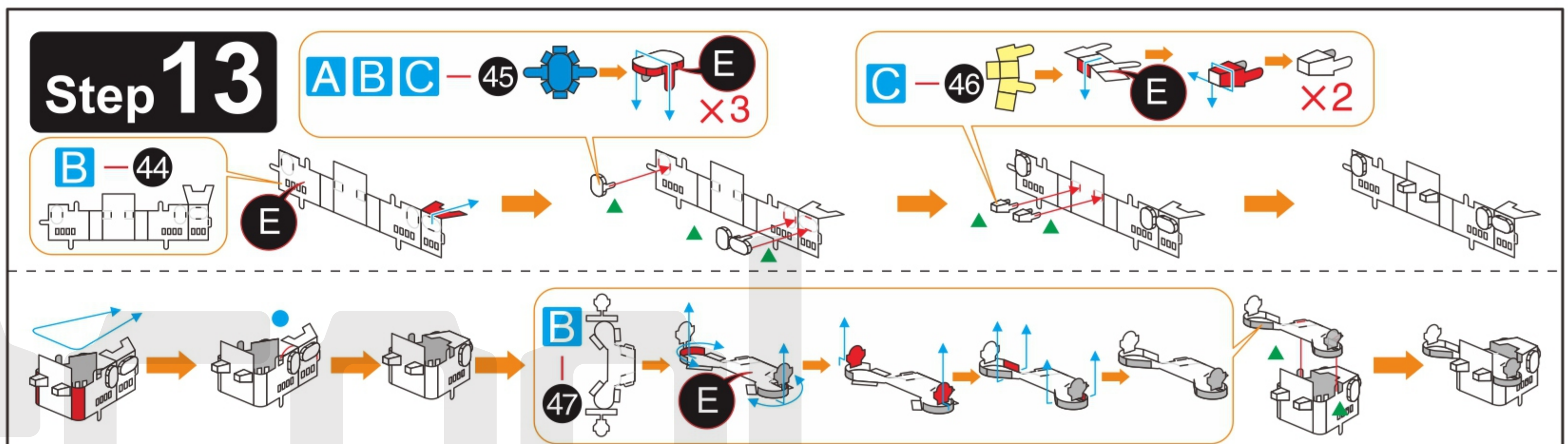
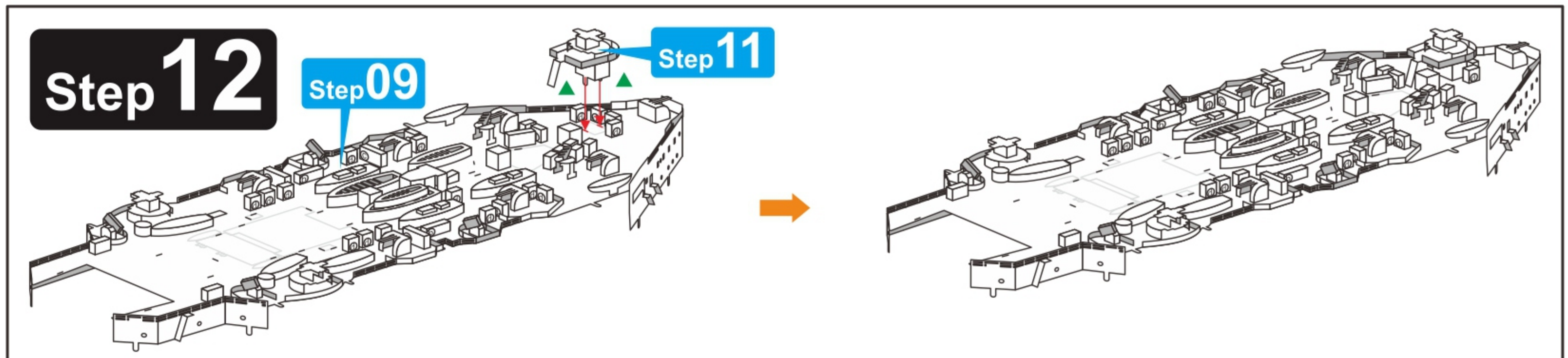
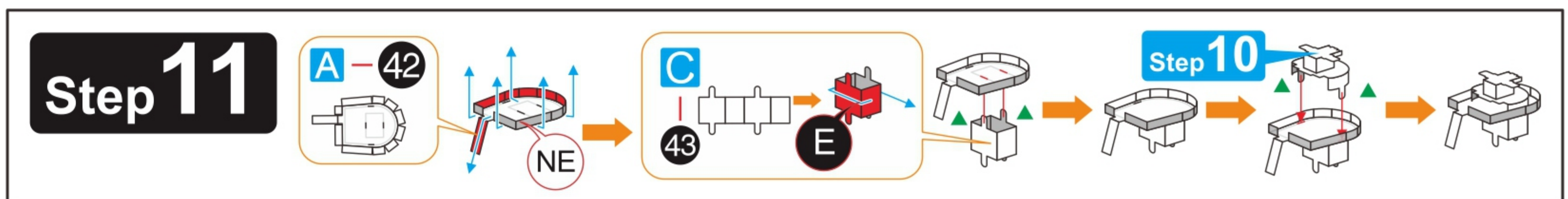
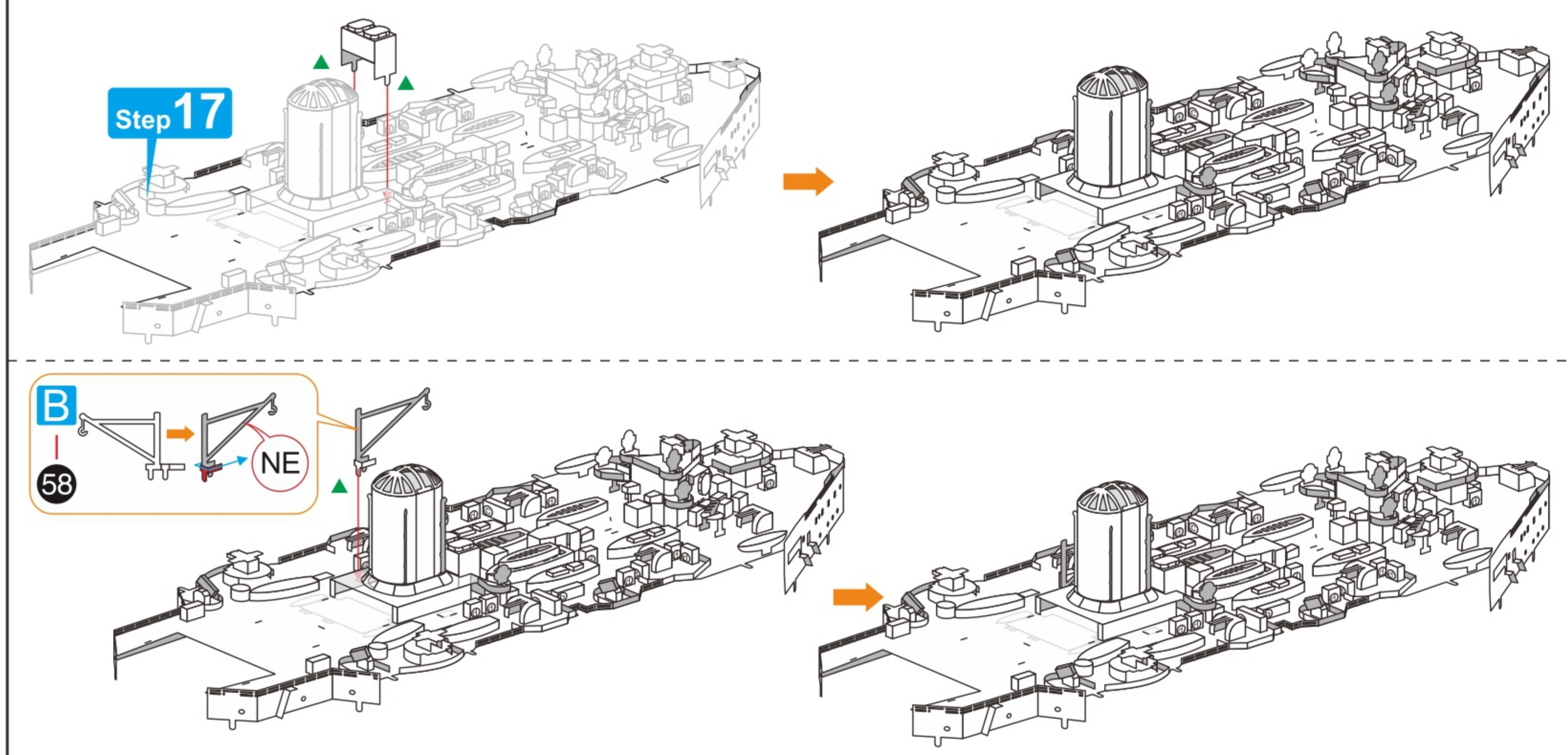
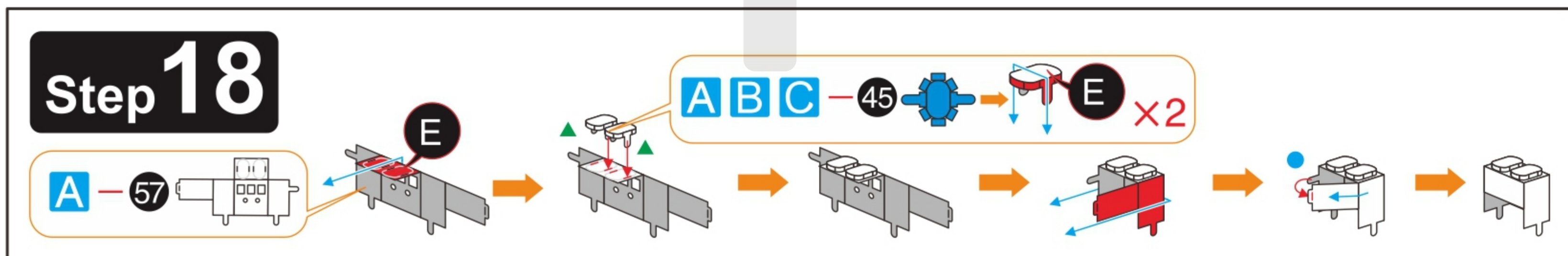
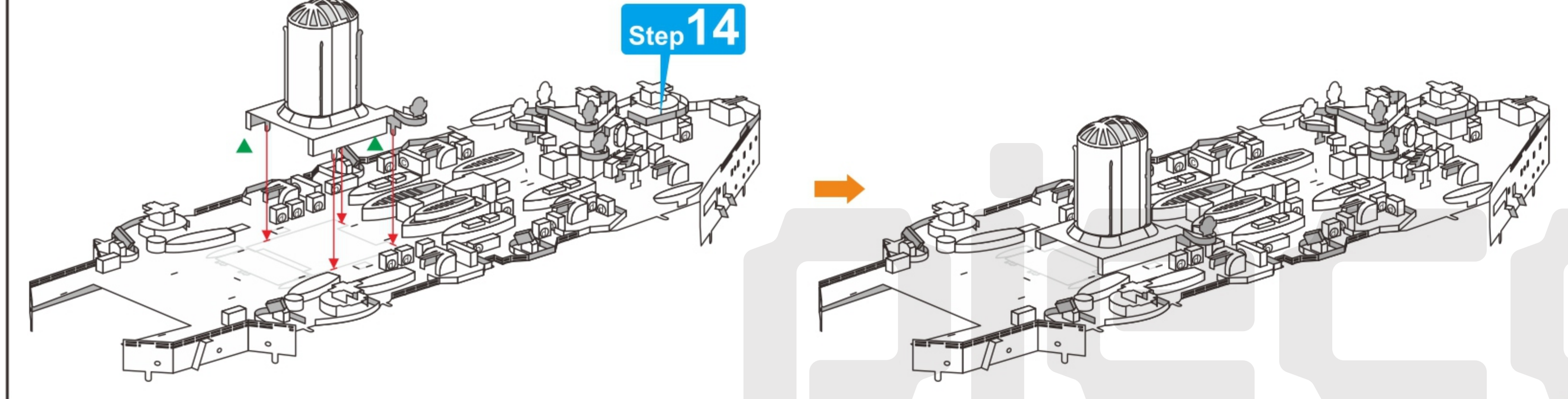
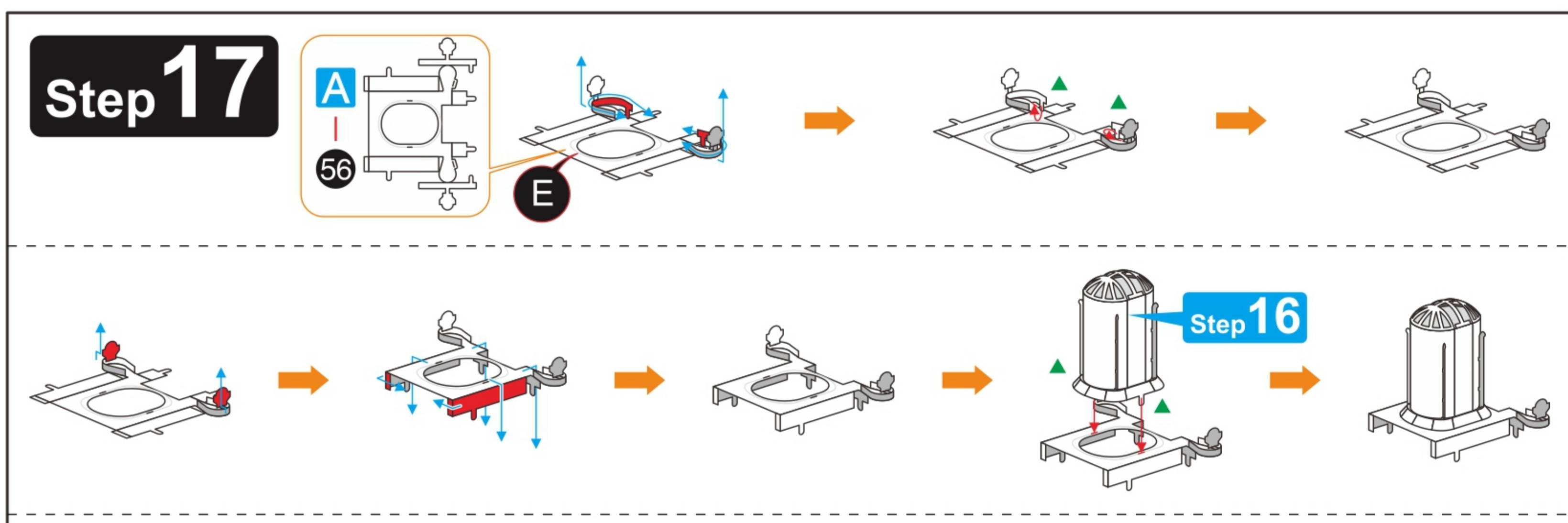
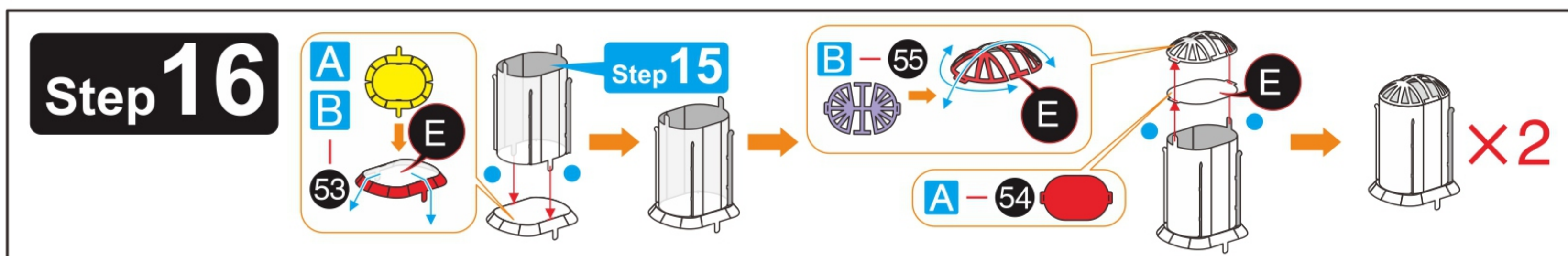
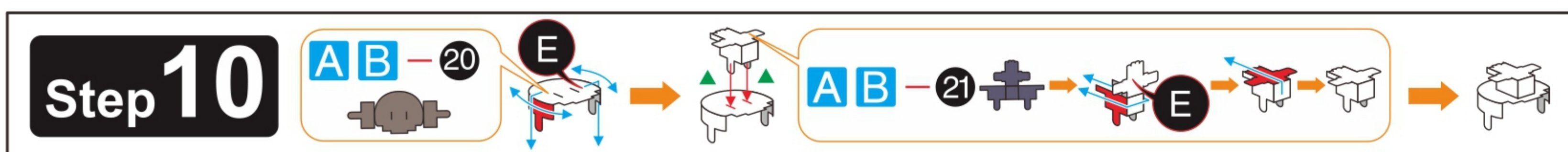
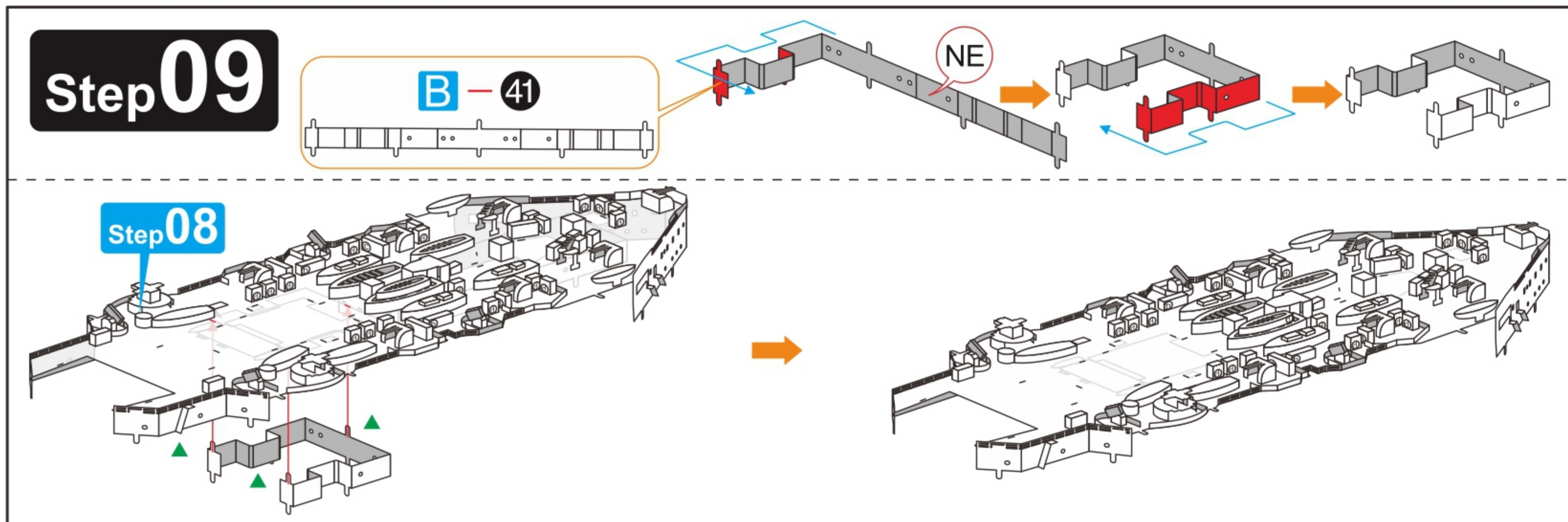
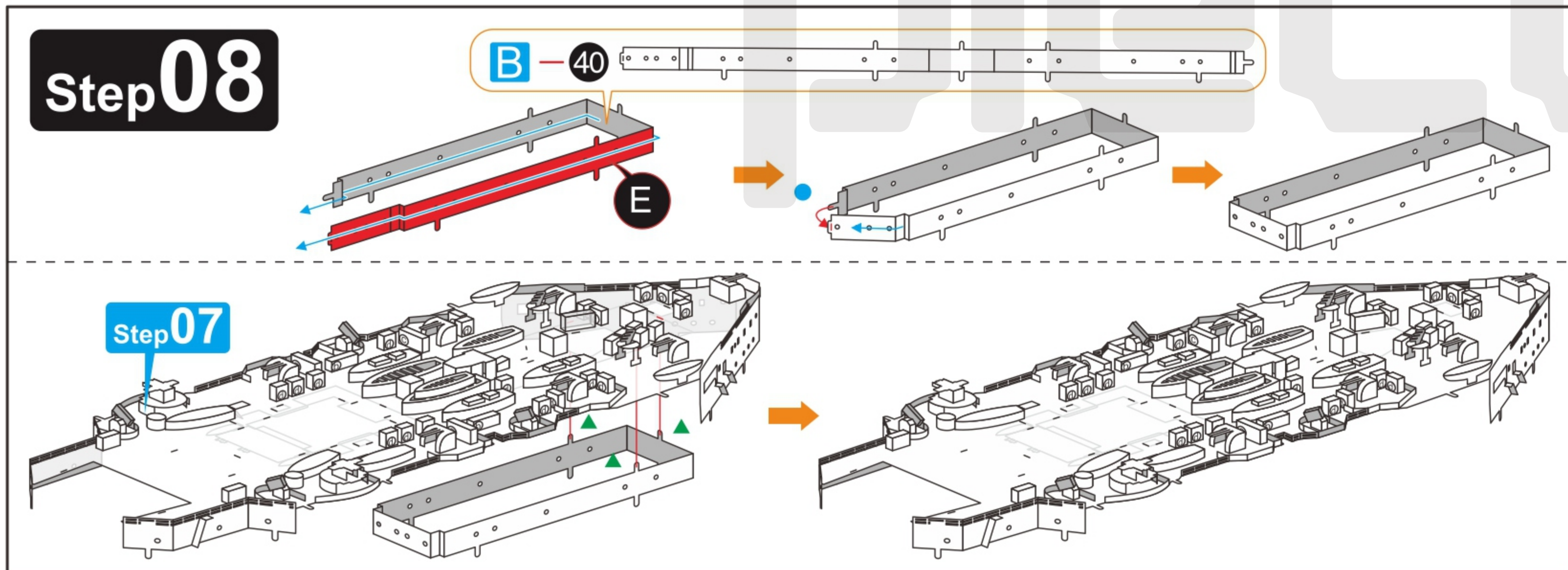
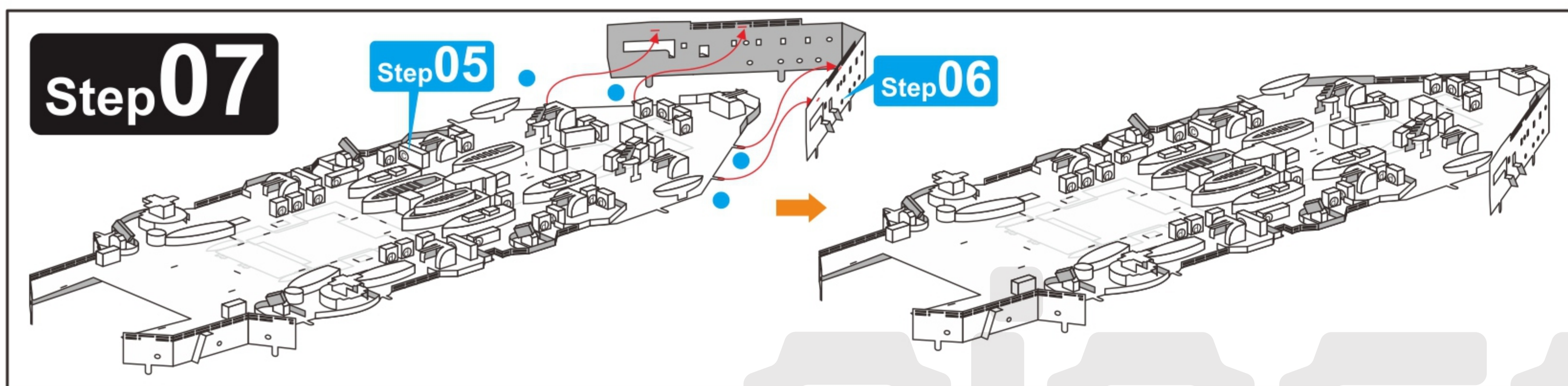
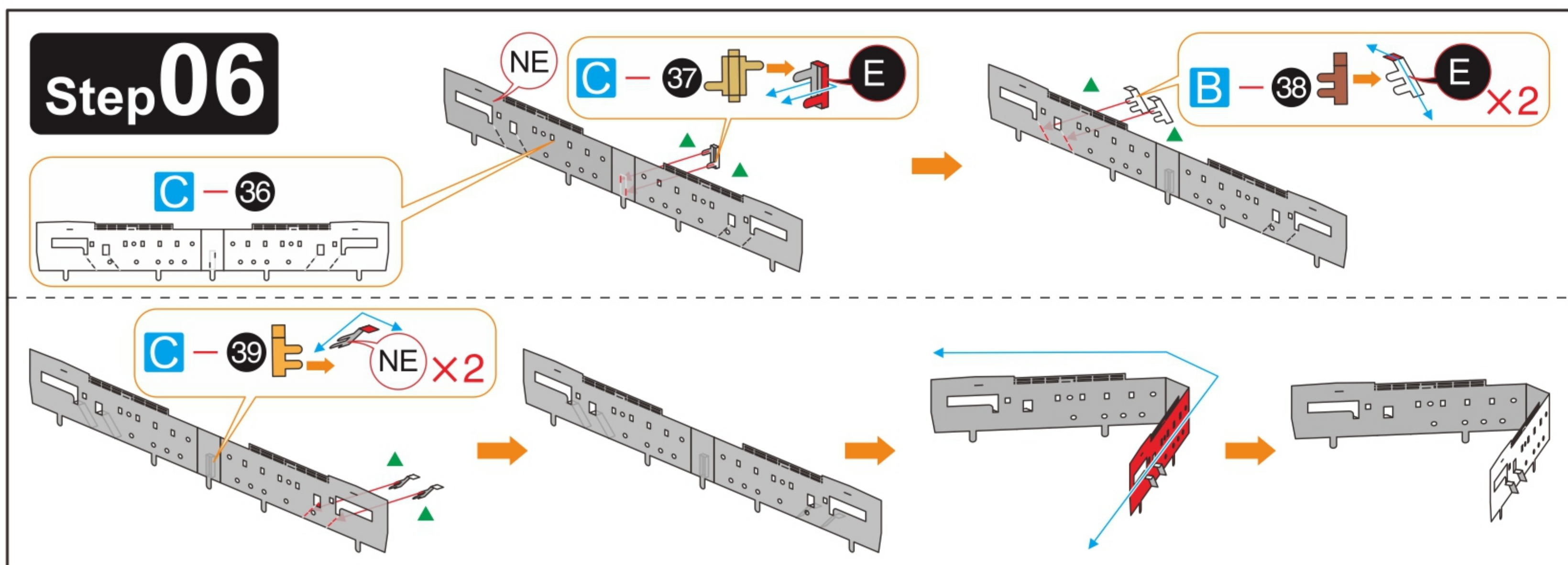
When encountering the parts of the folding line, please pay attention to the front and back of the metal sheet and the direction of the folding. According to the direction indicated in the instruction, cut lightly and fold slowly. It is best to fold it once. Do not fold it repeatedly to avoid damage to the parts.

### Assembly Guide

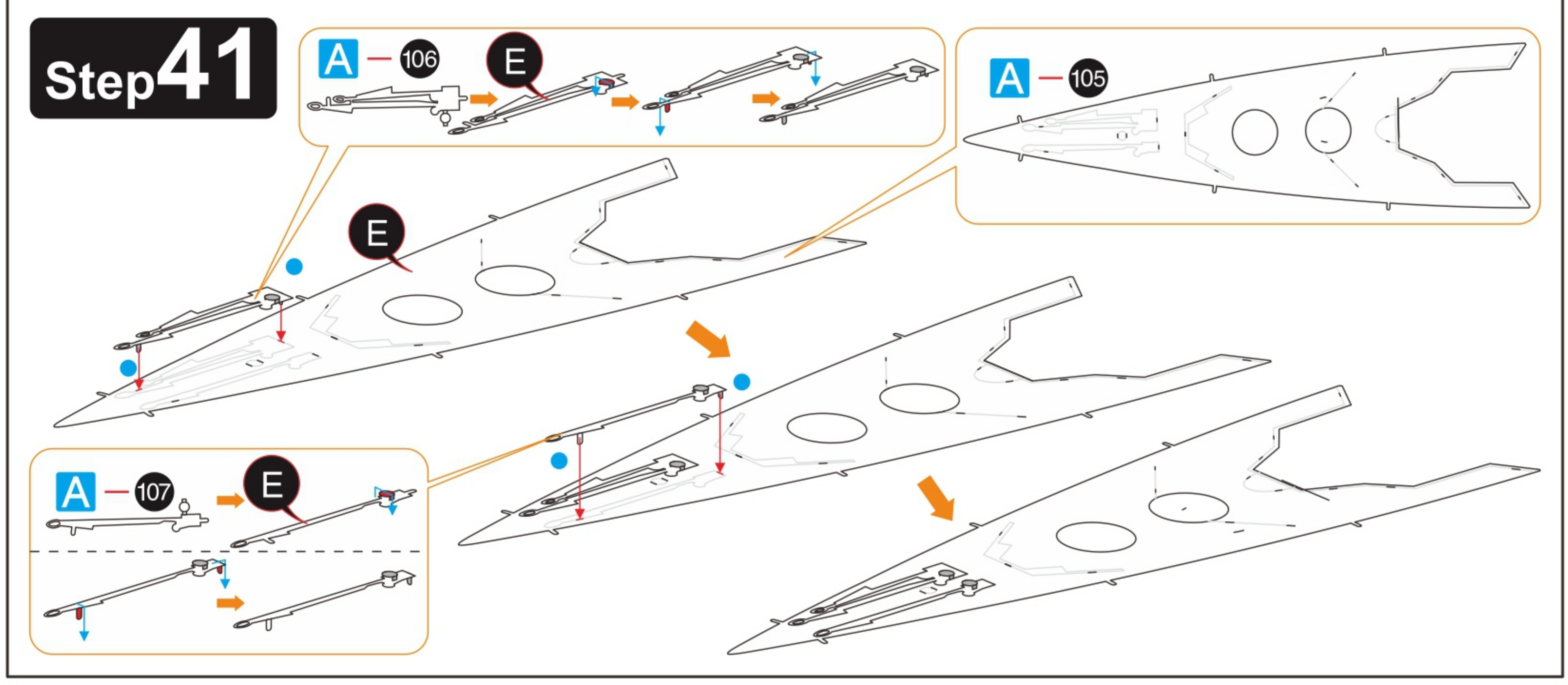
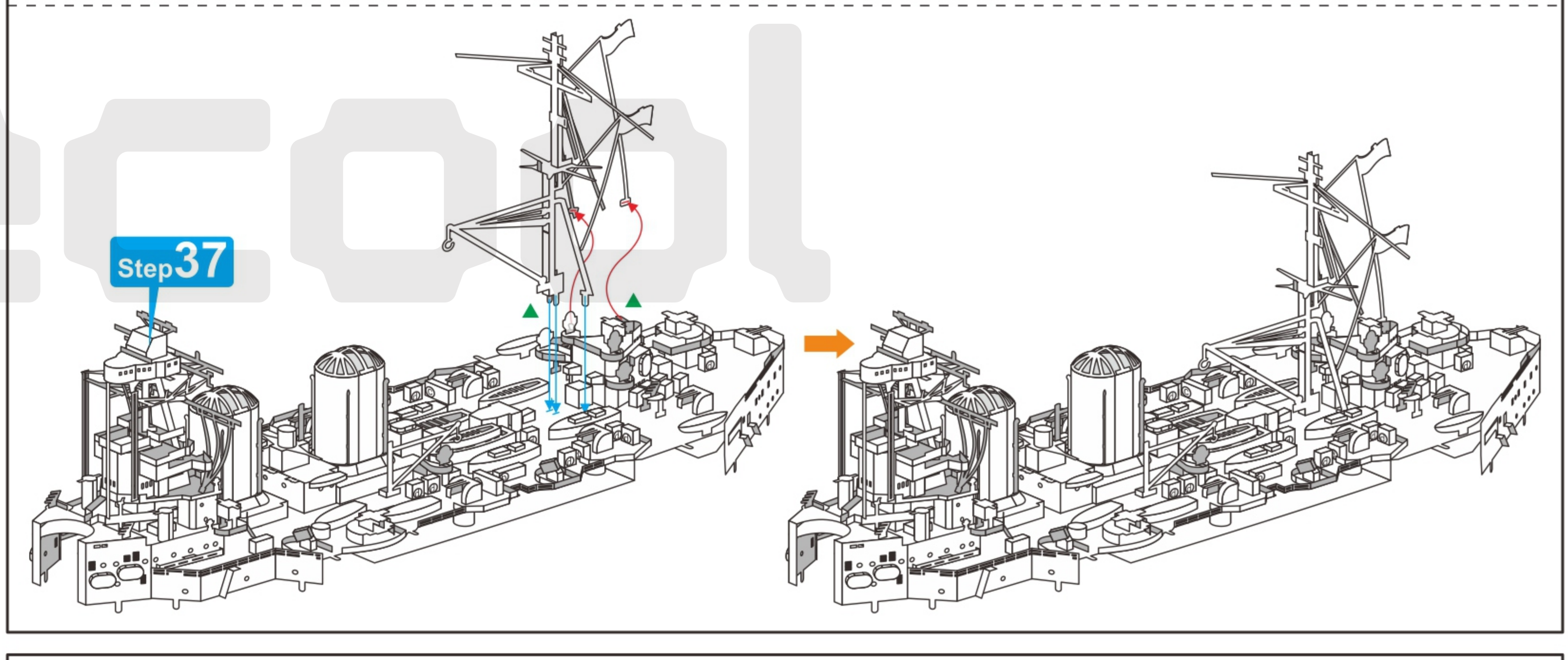
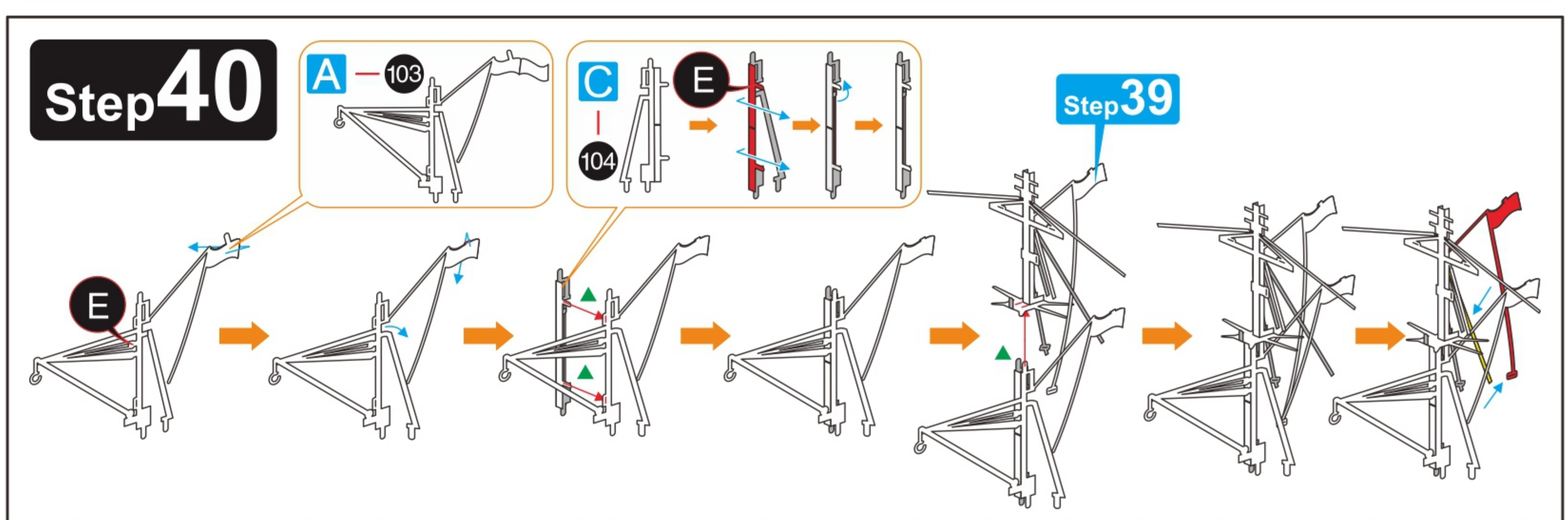
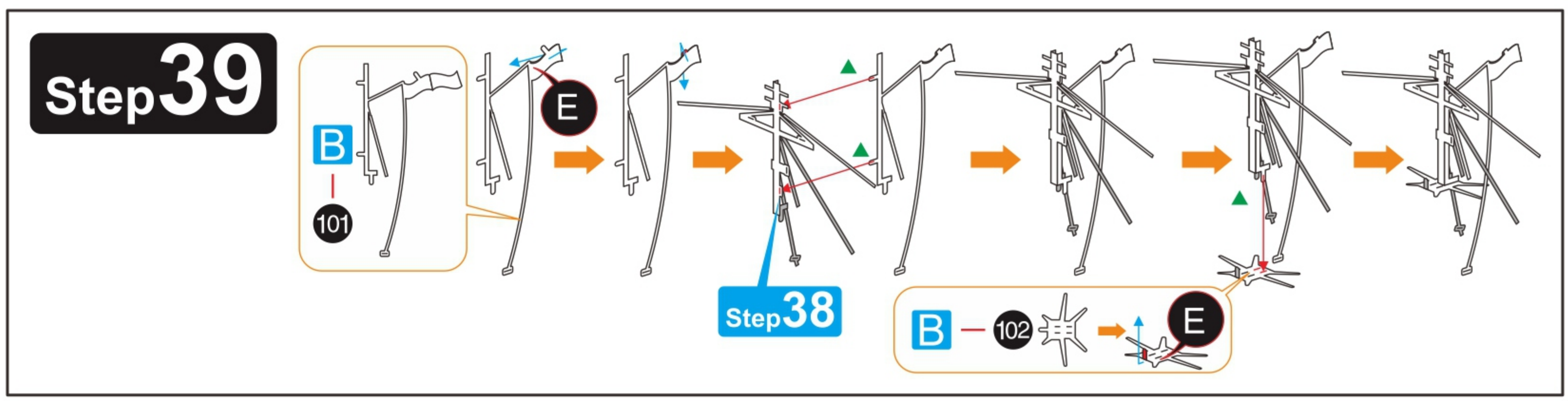
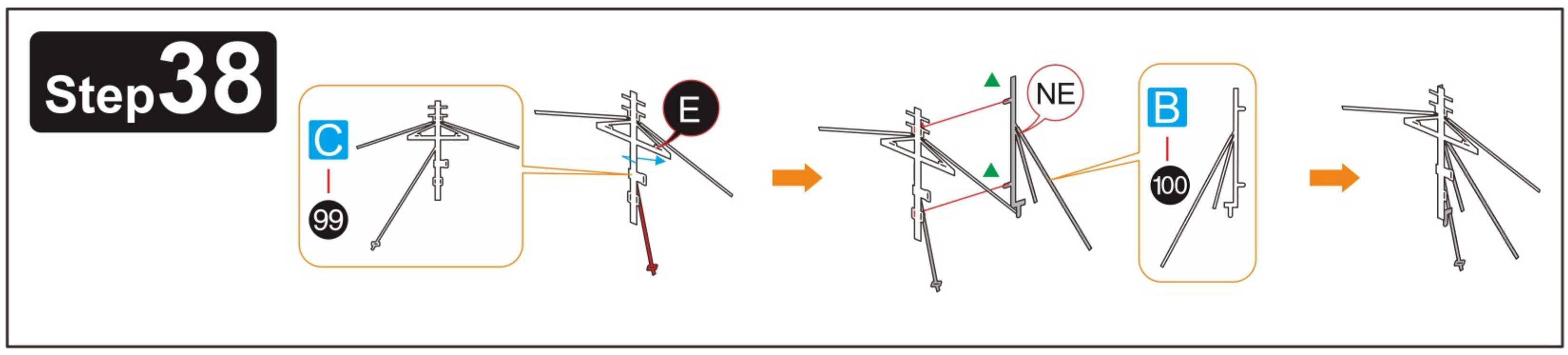
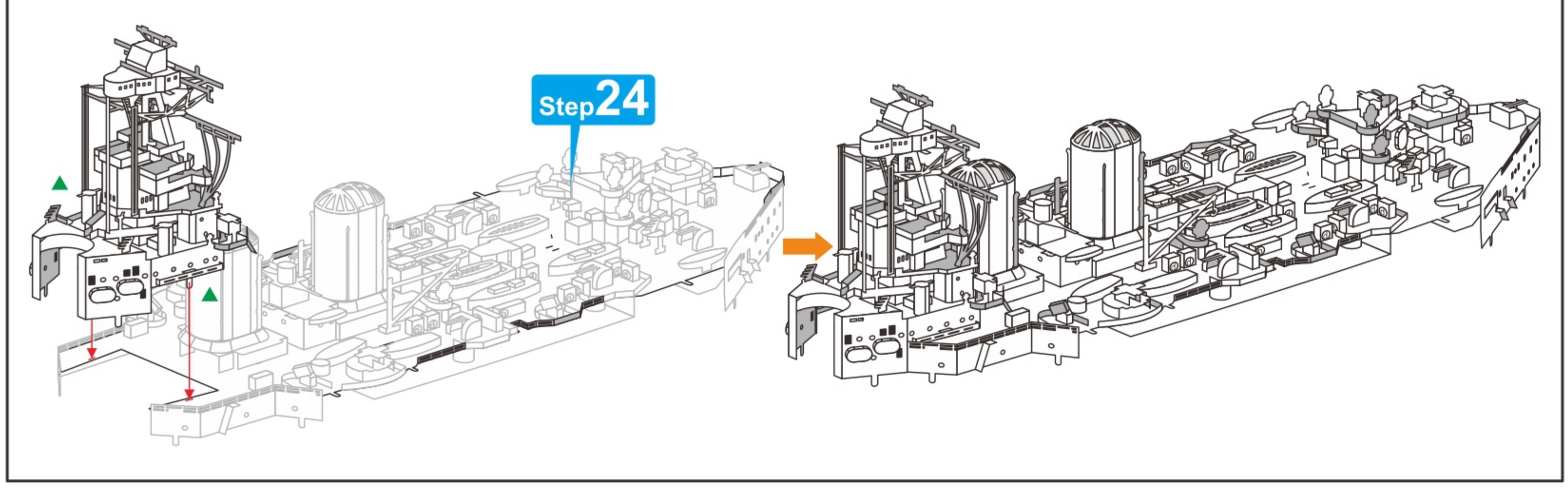
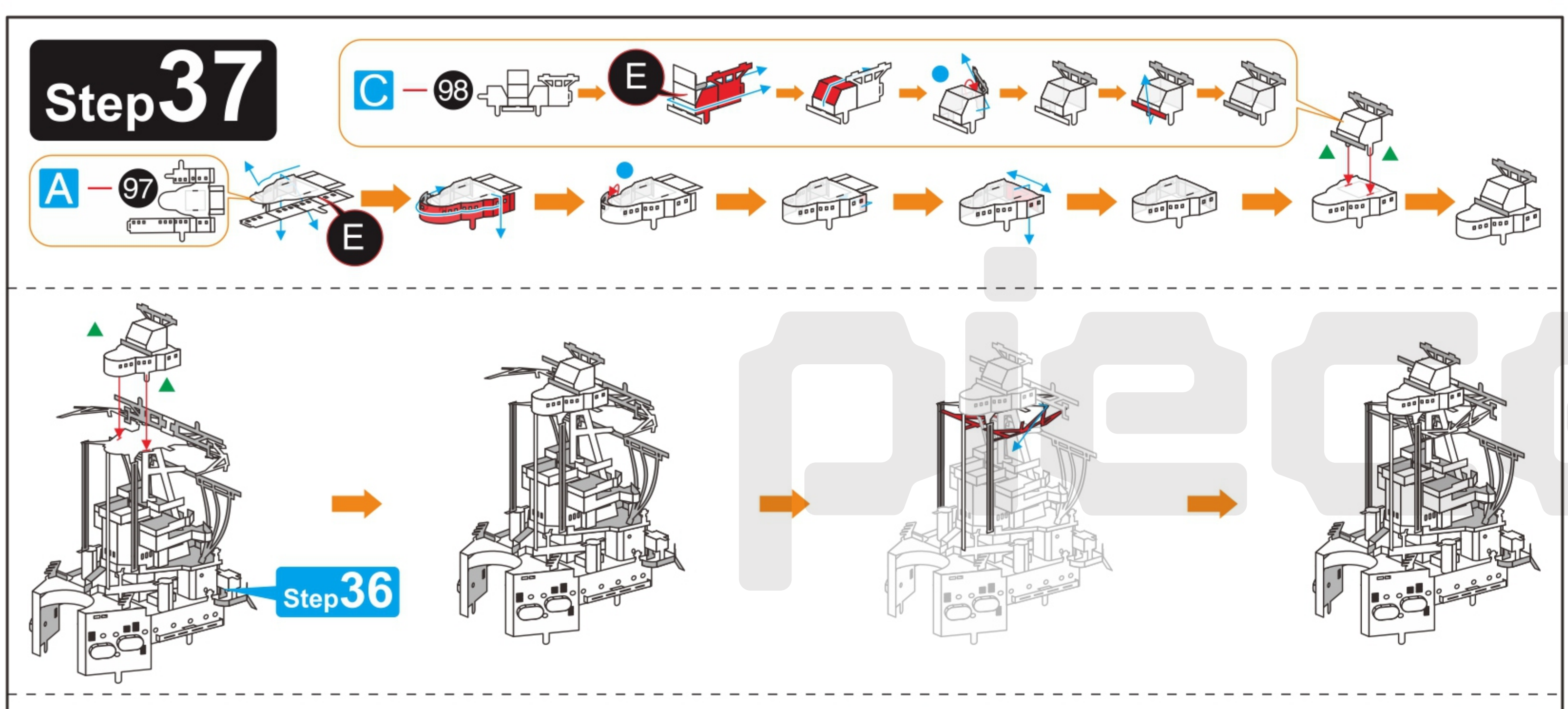
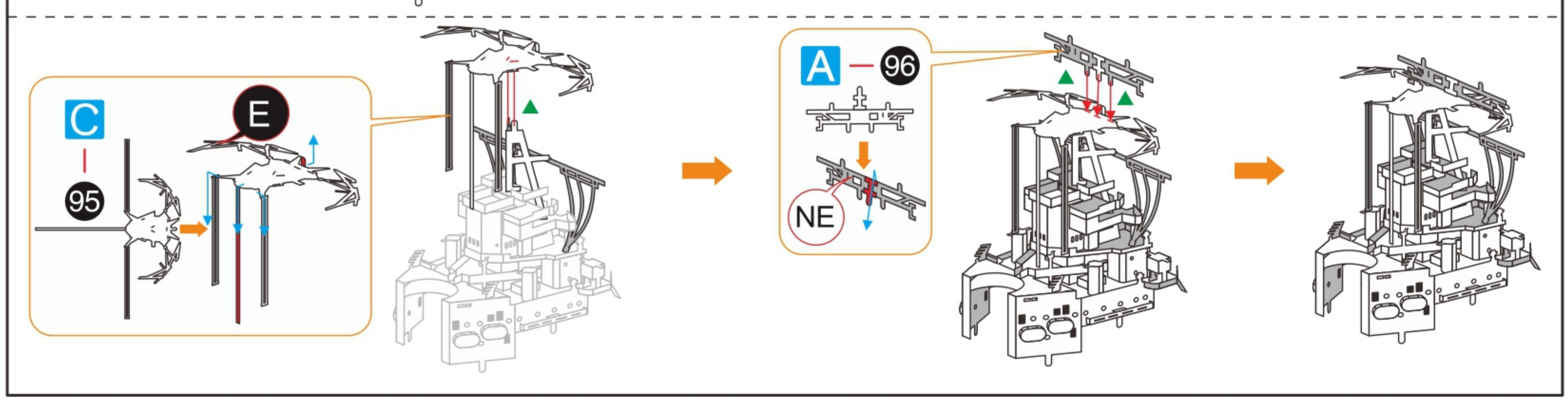
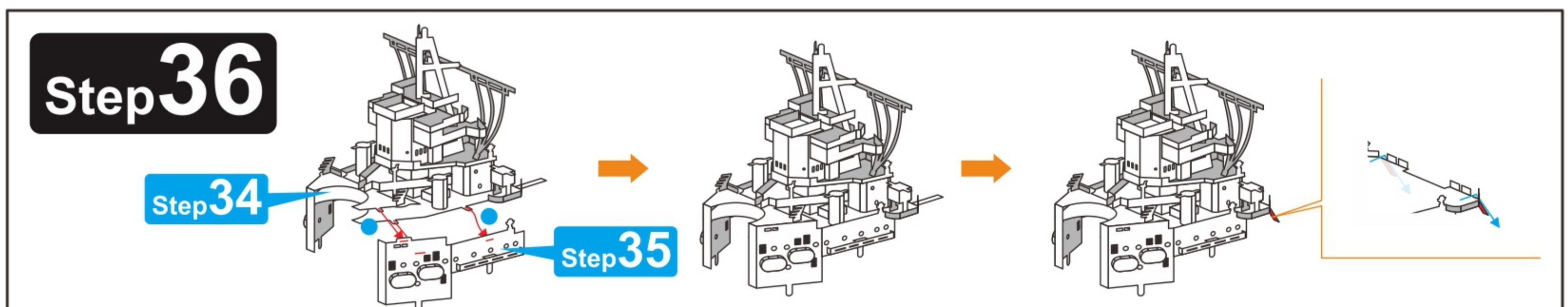
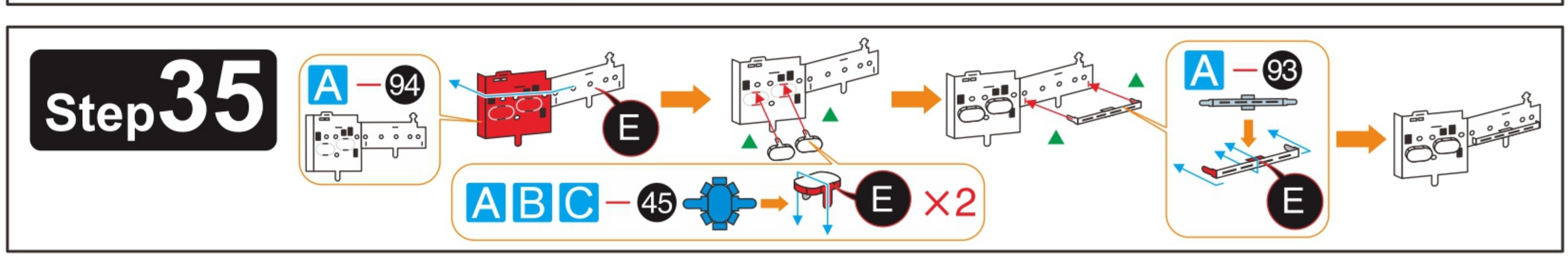
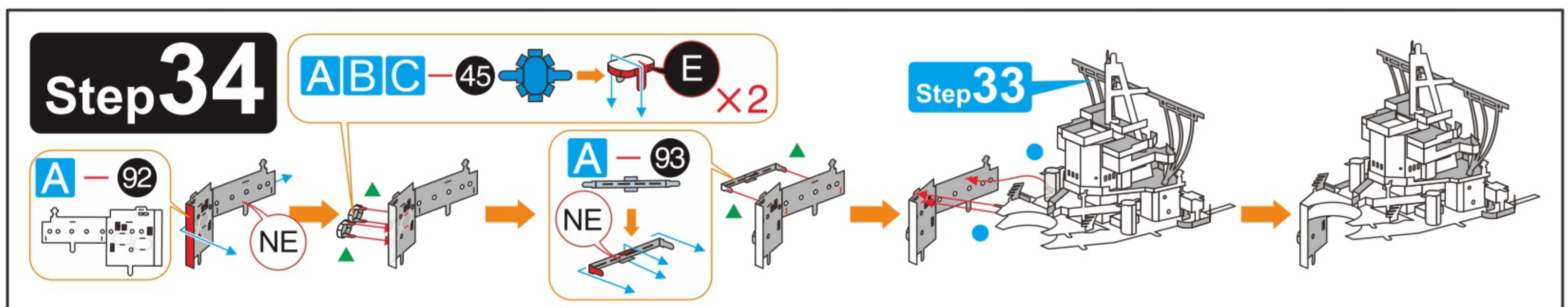
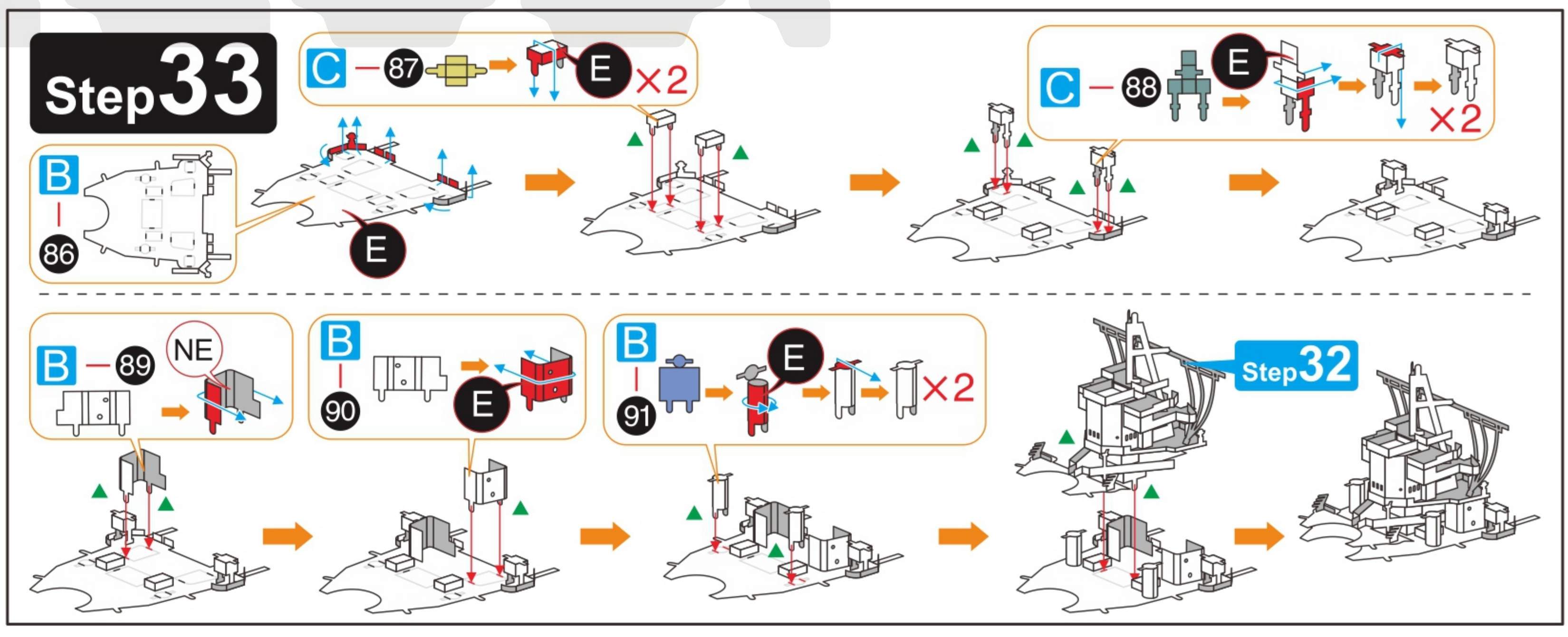
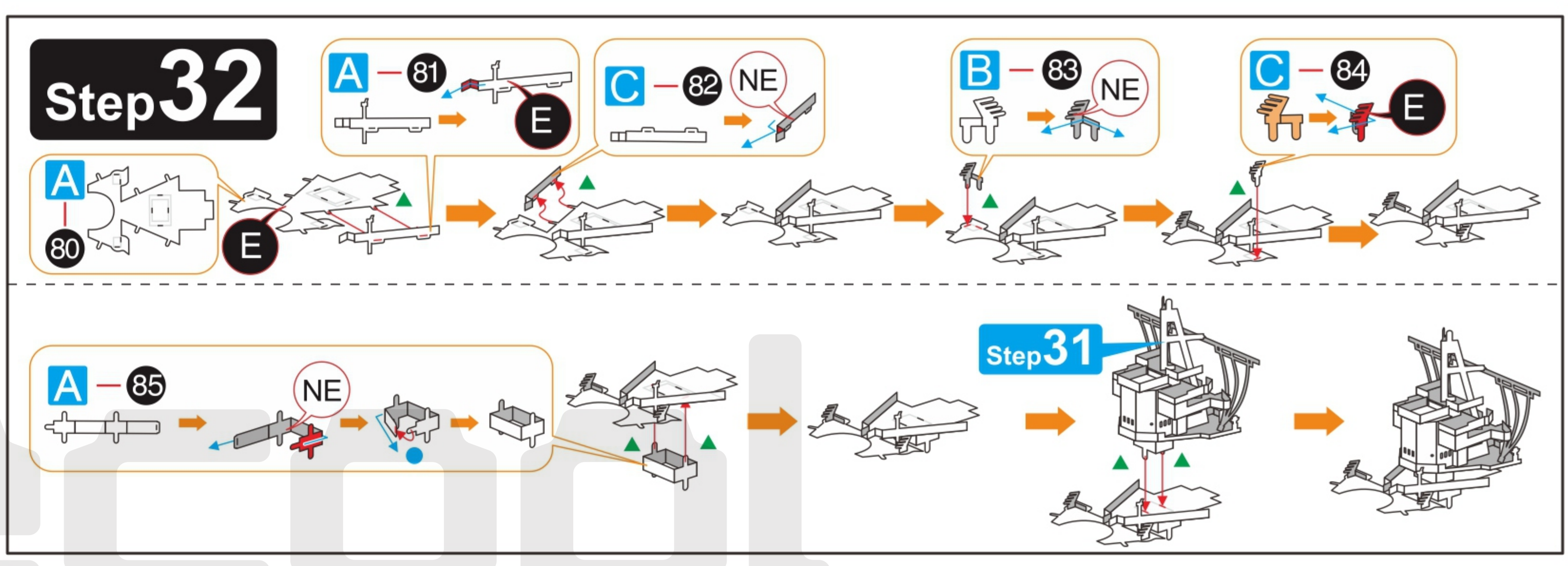
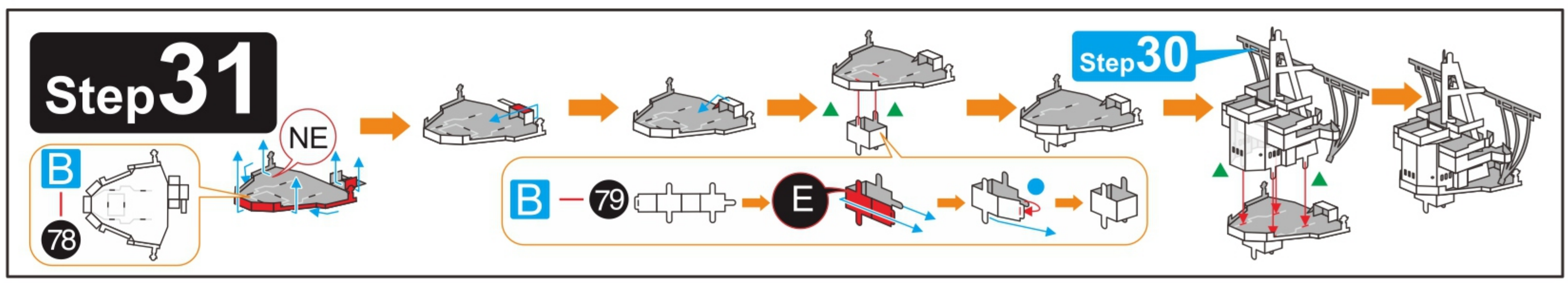
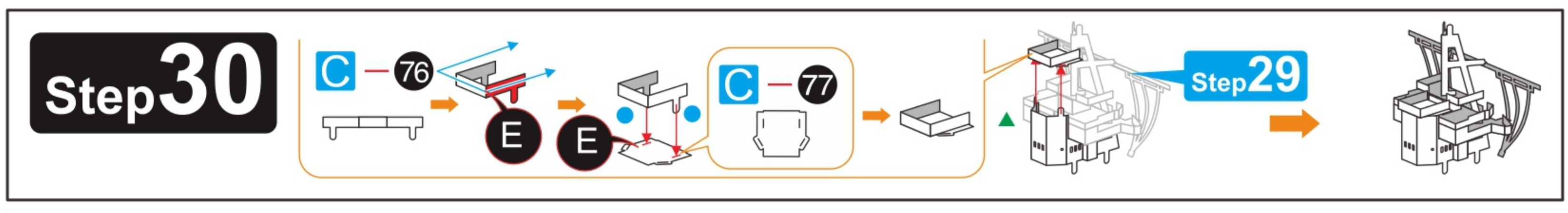
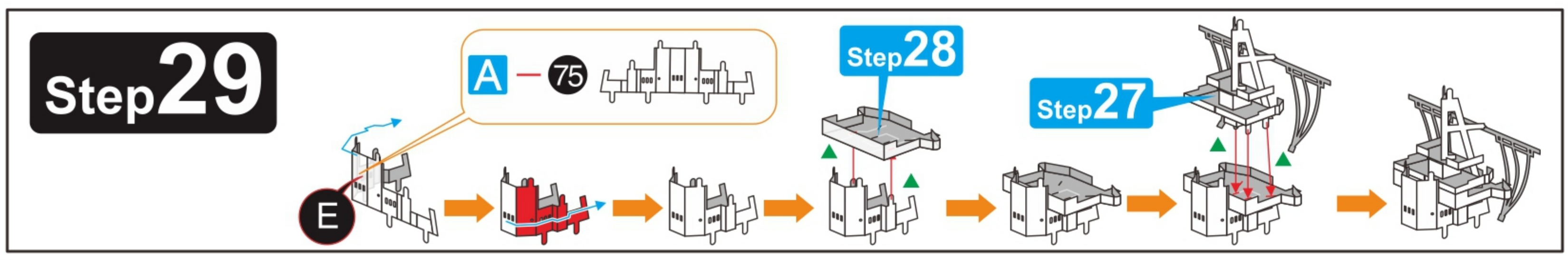
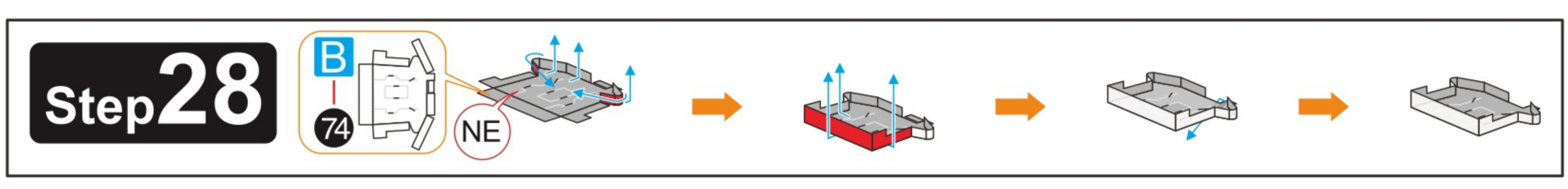
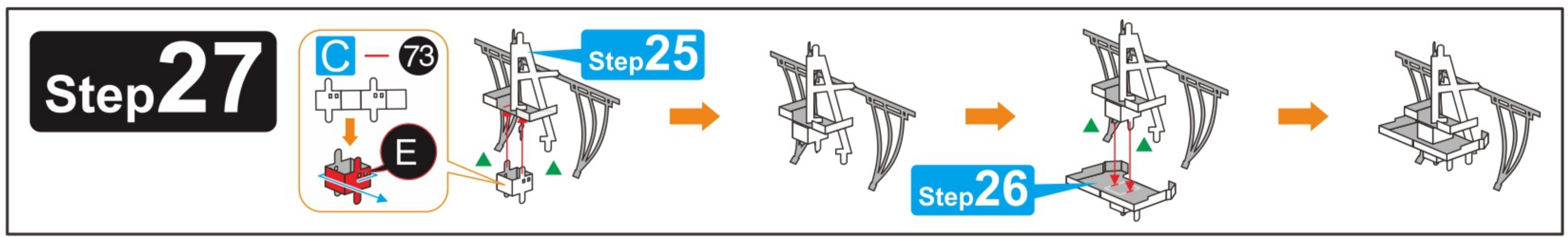
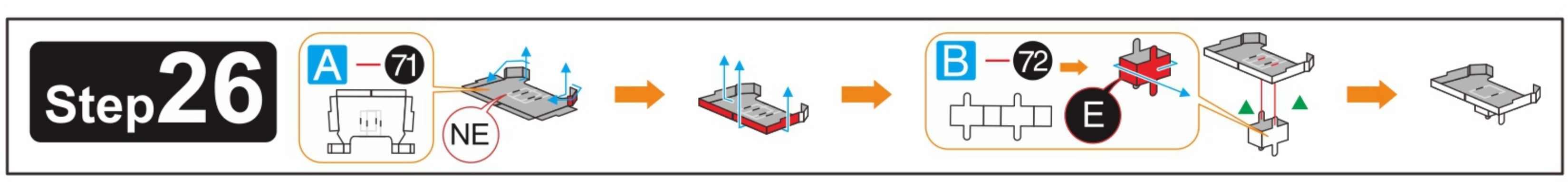
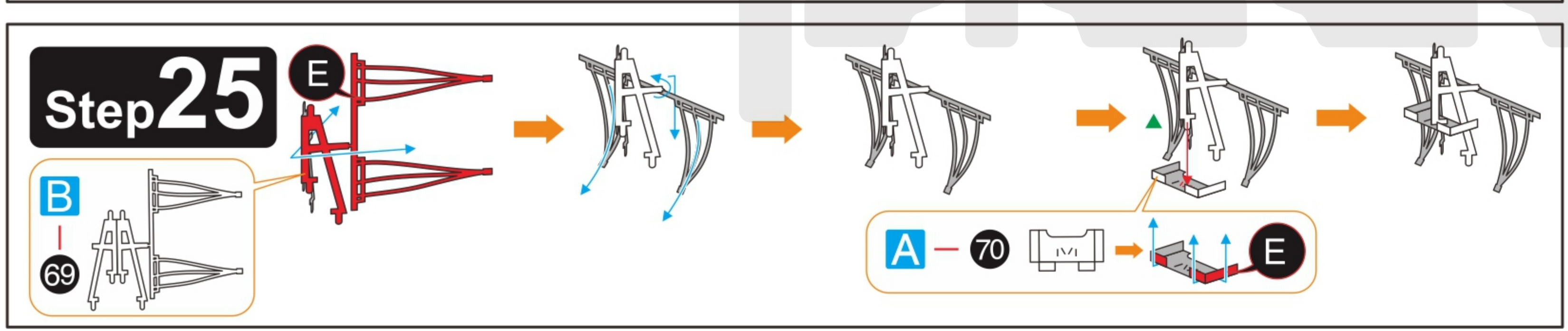
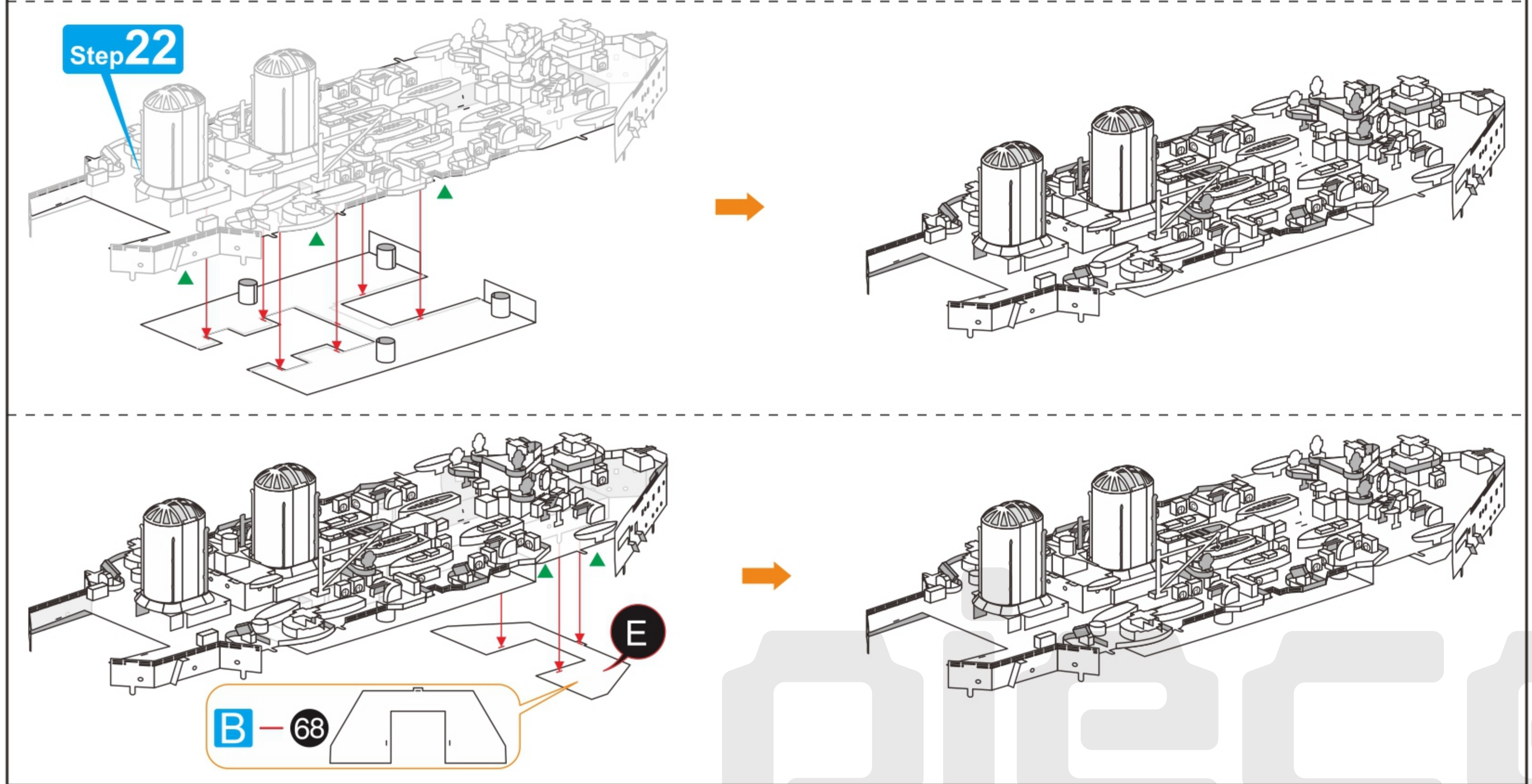
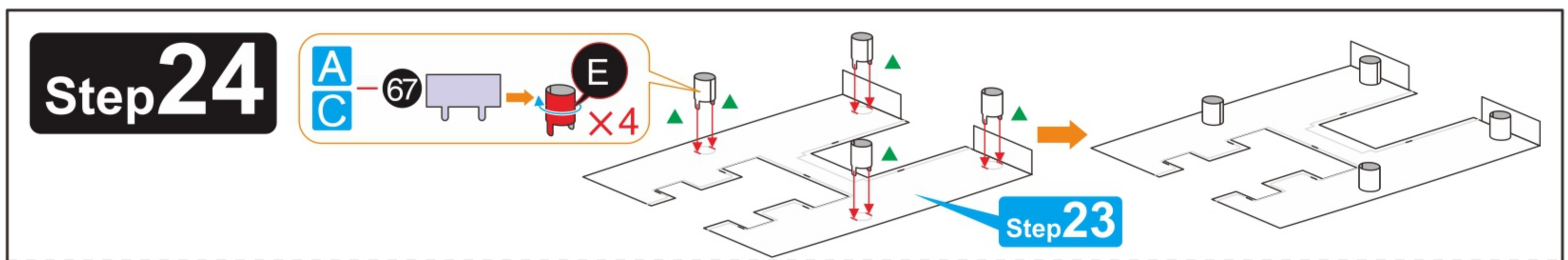
## Step 01



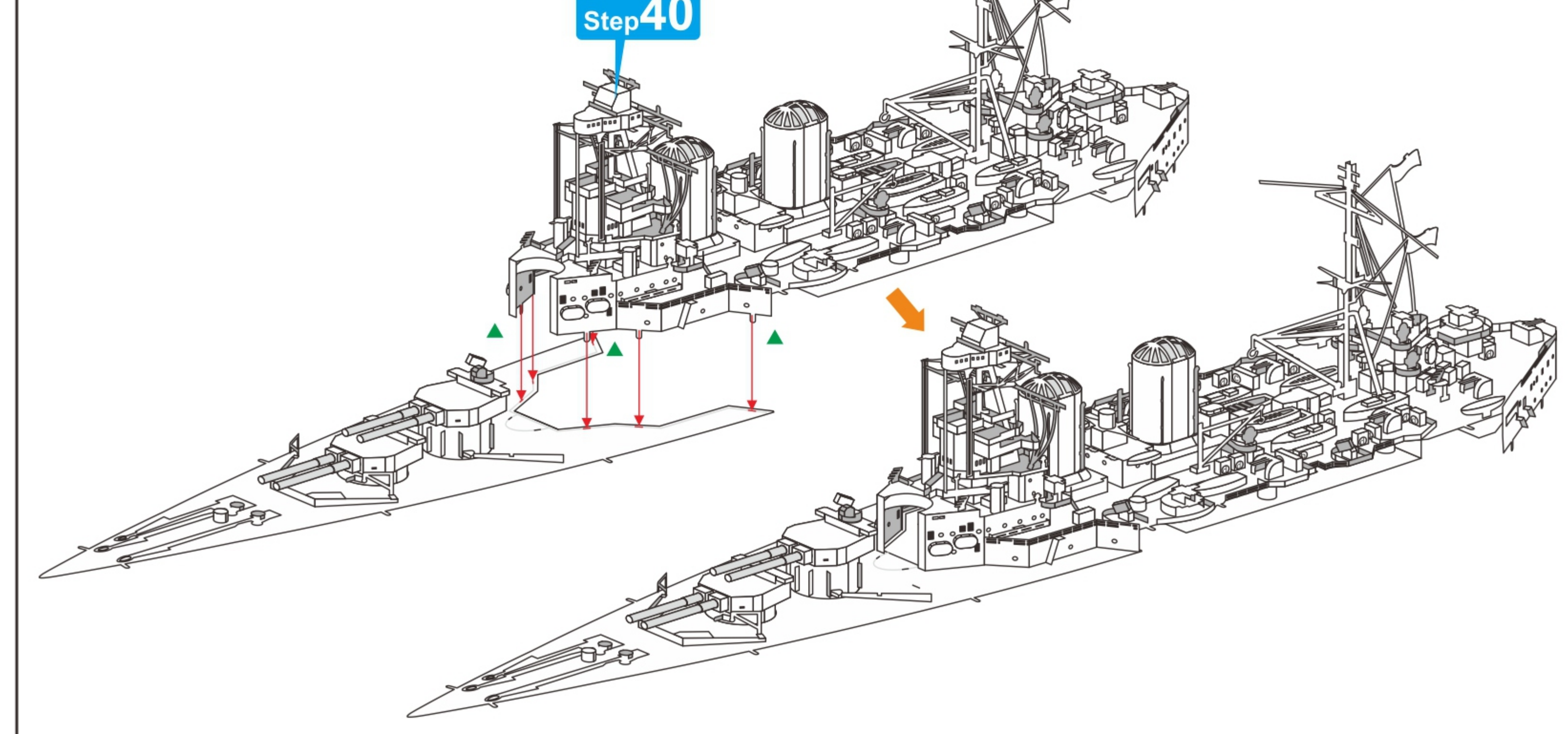
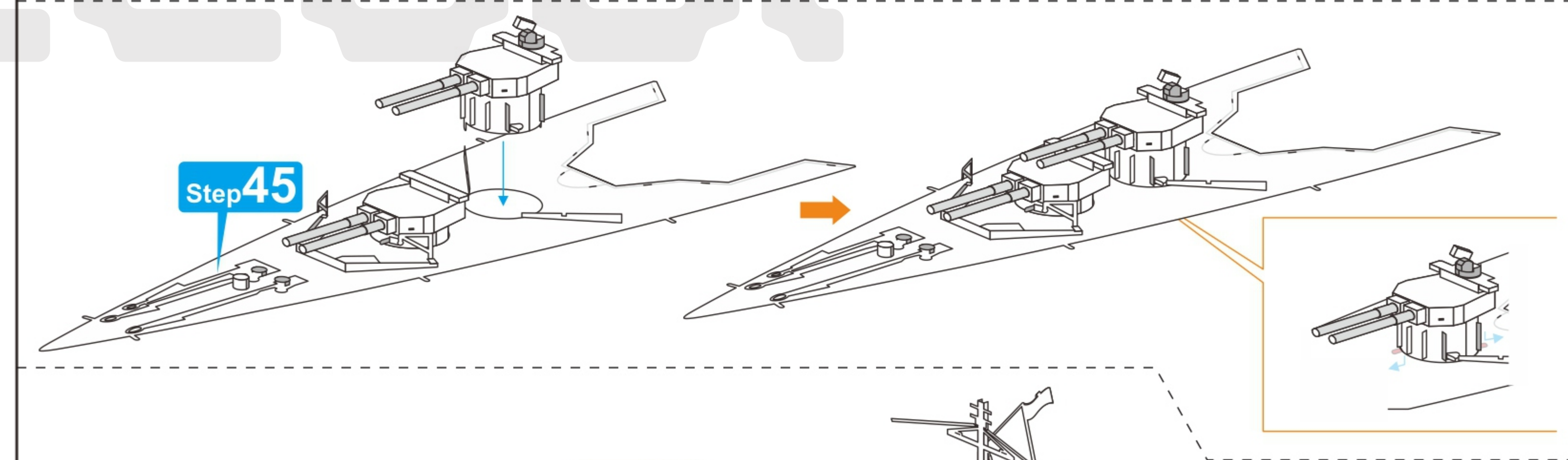
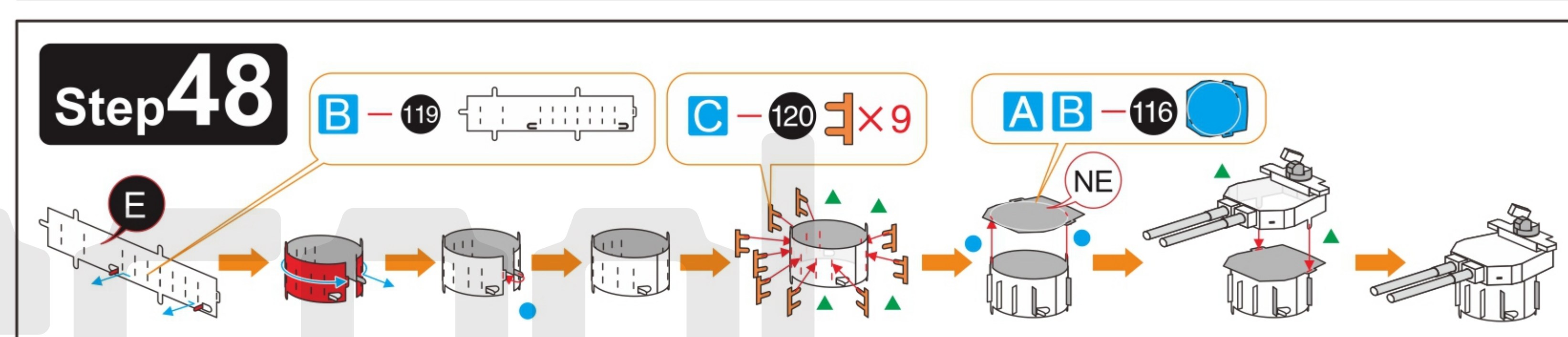
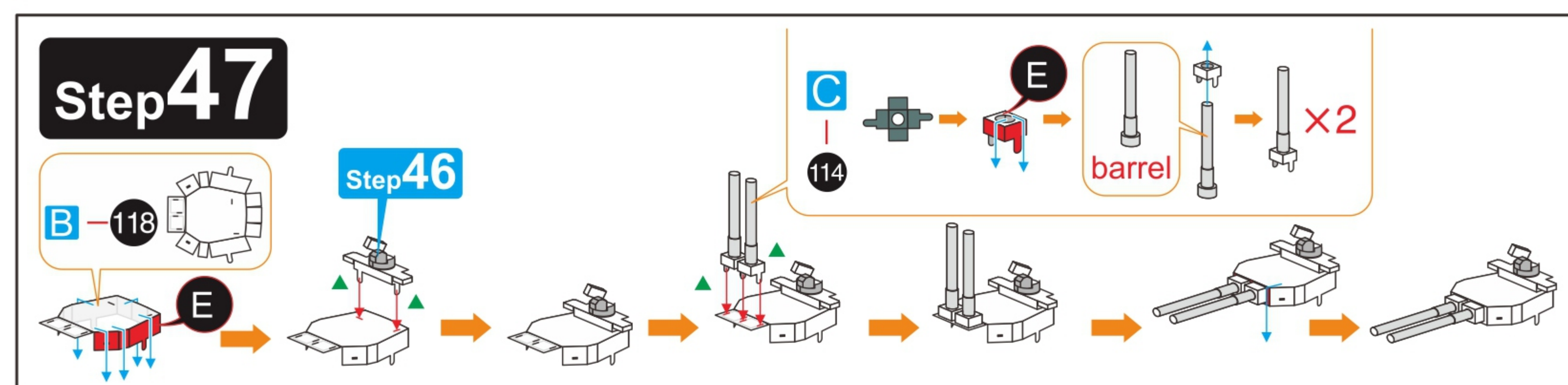
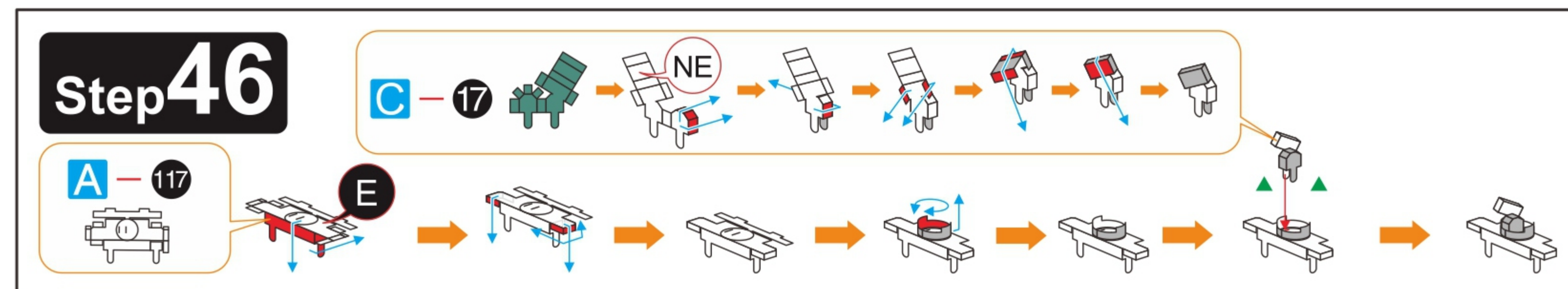
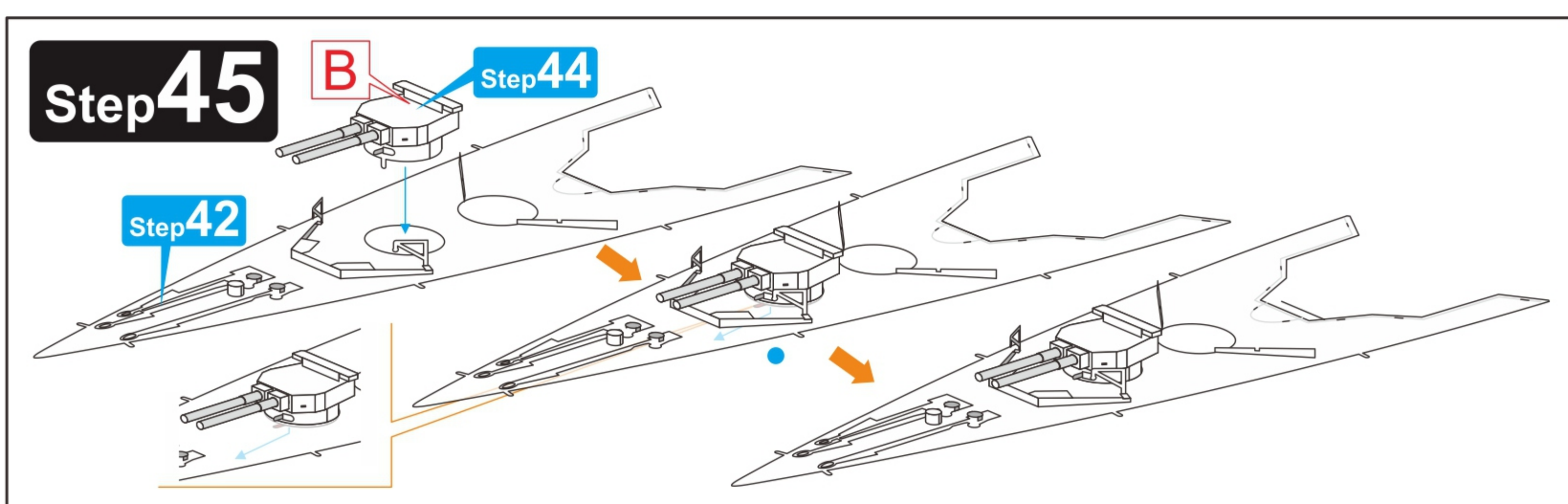
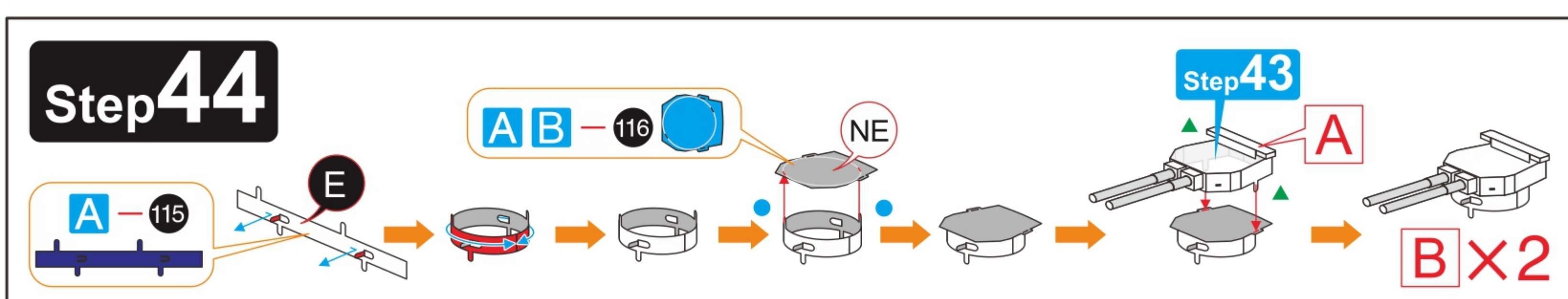
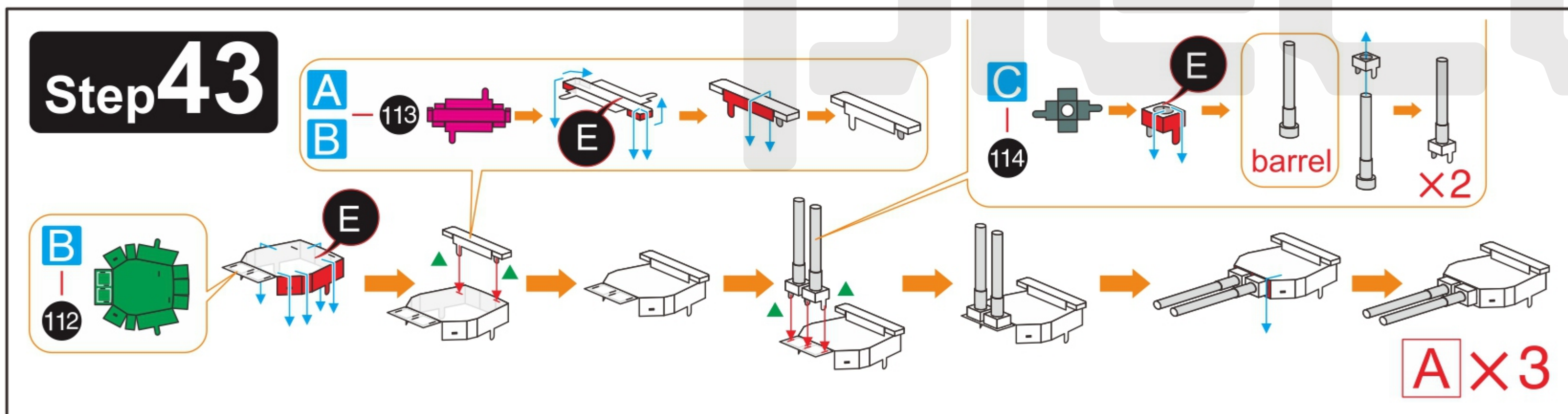
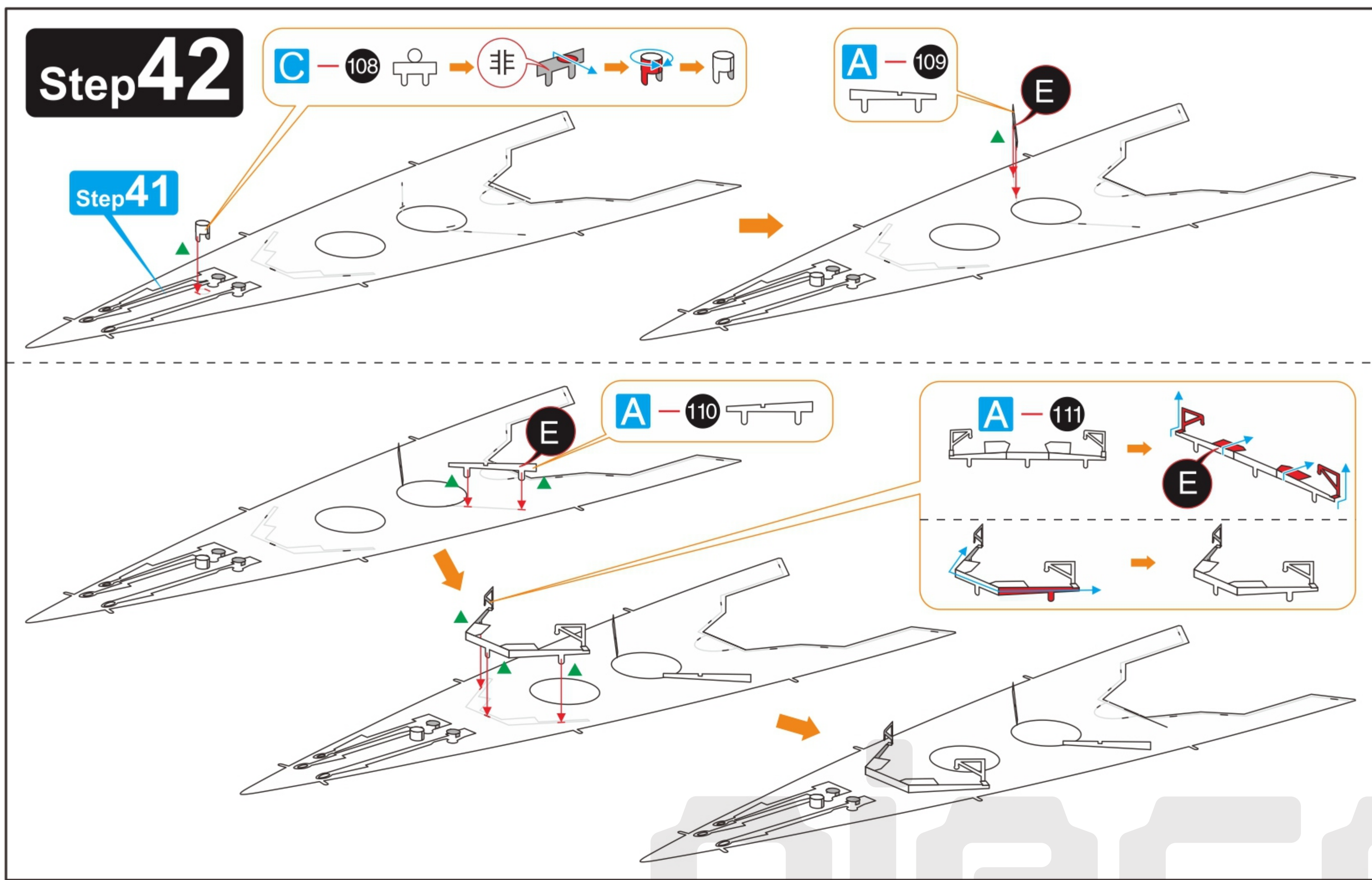




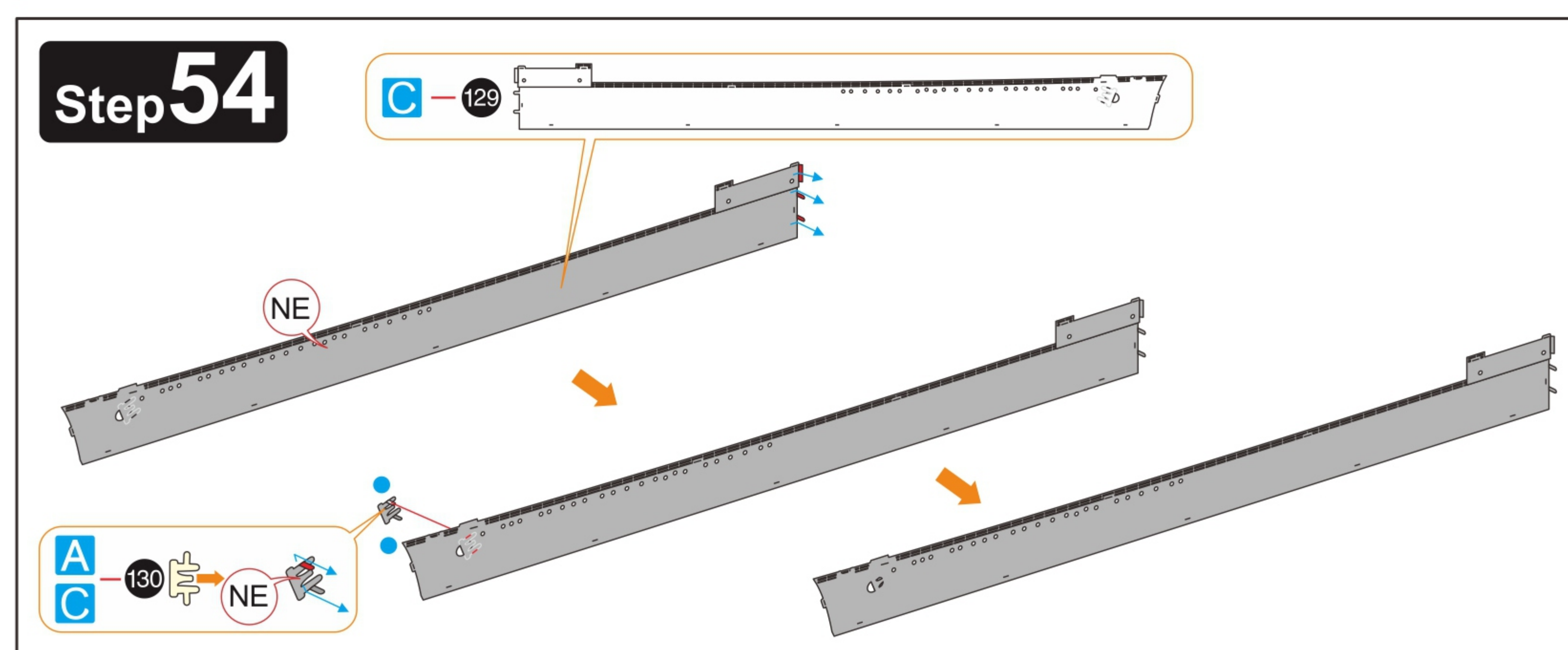
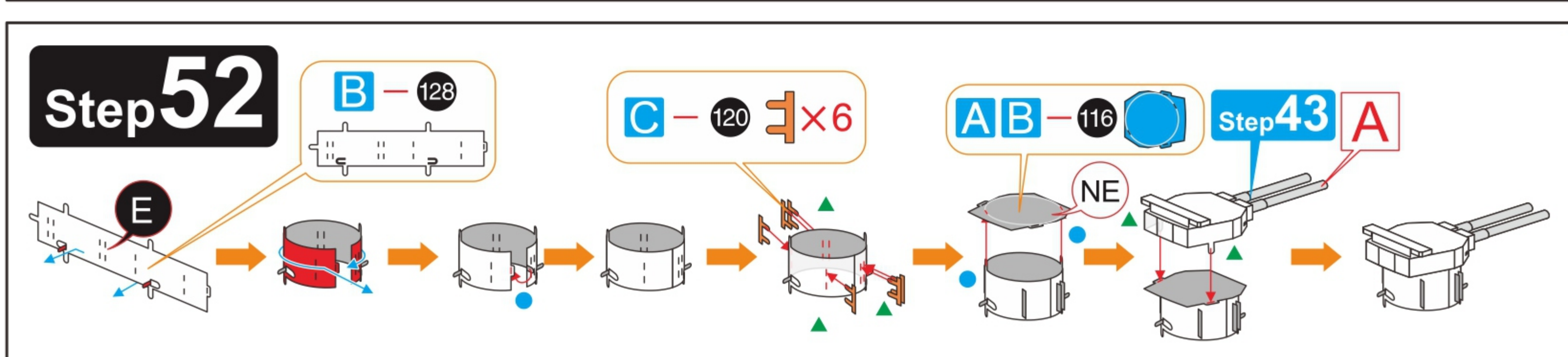
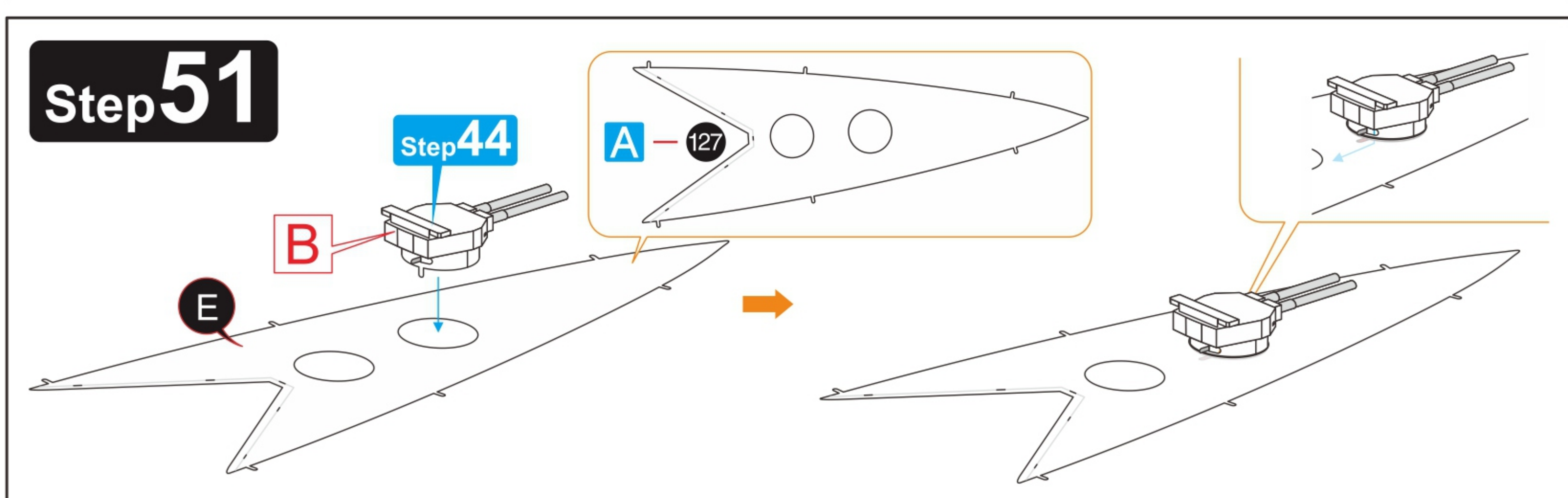
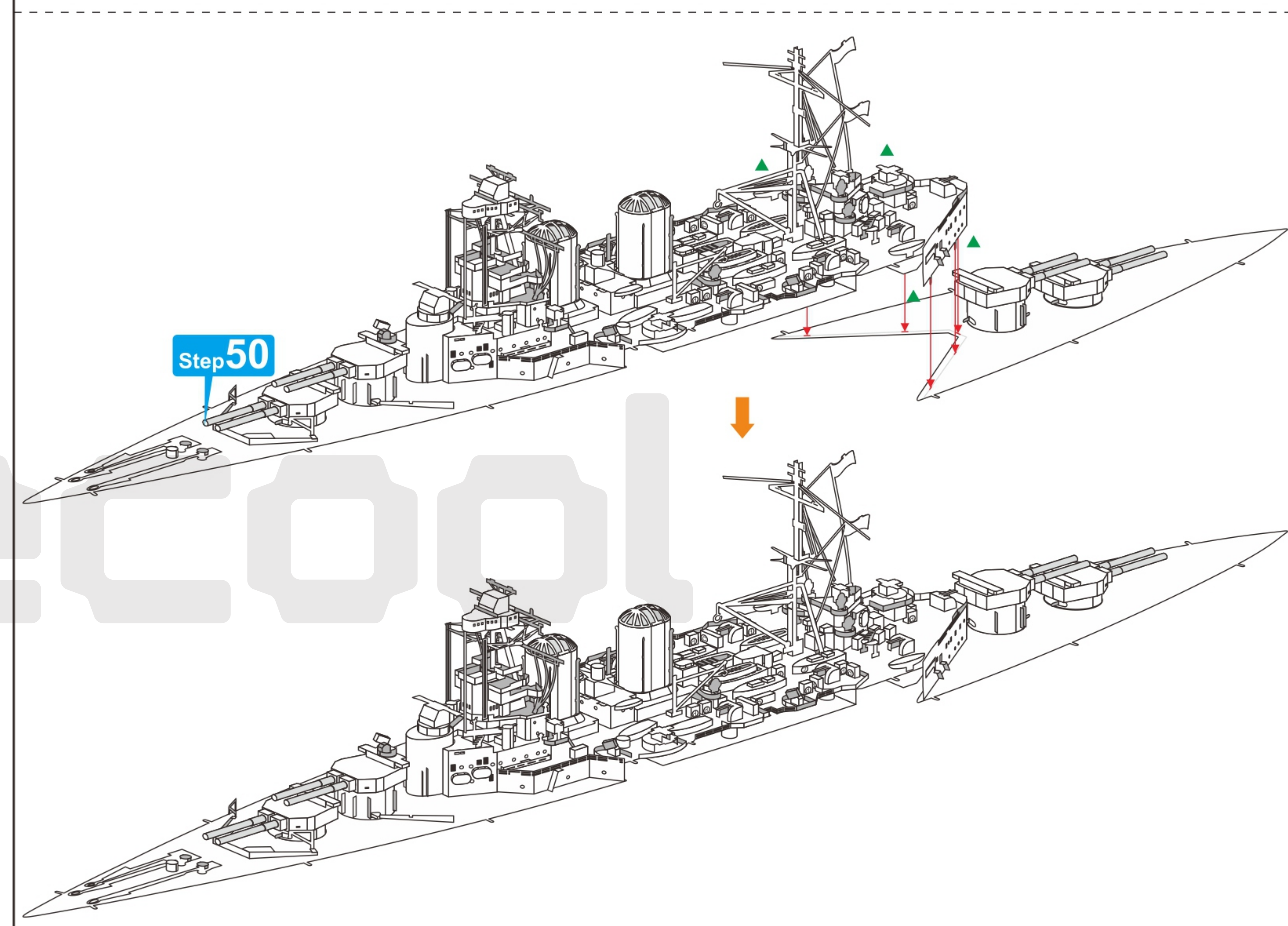
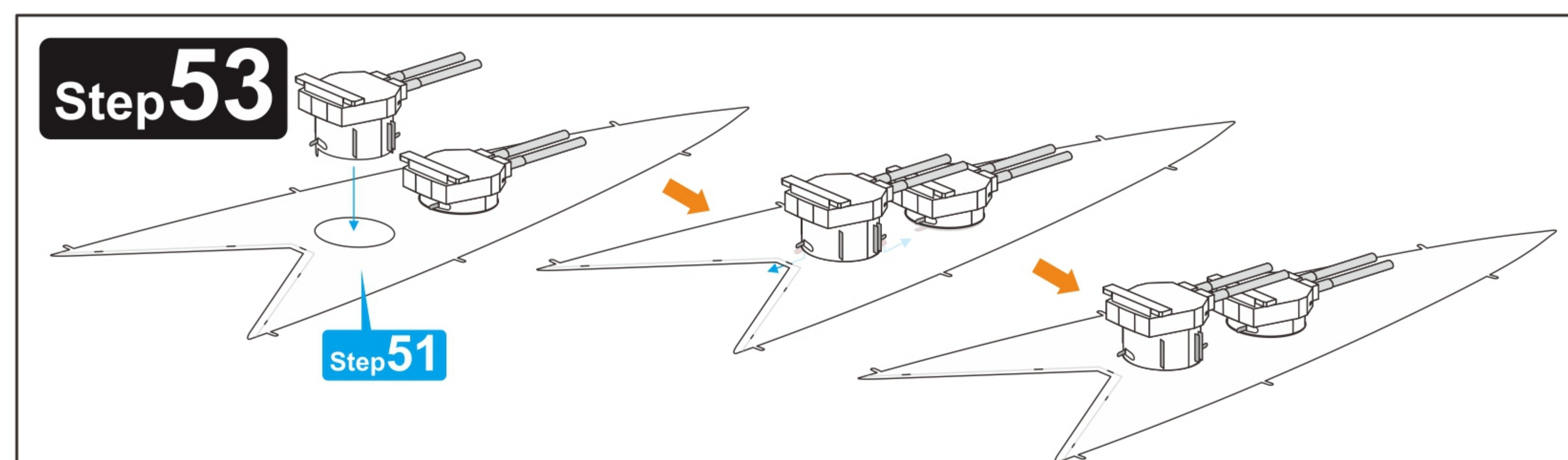
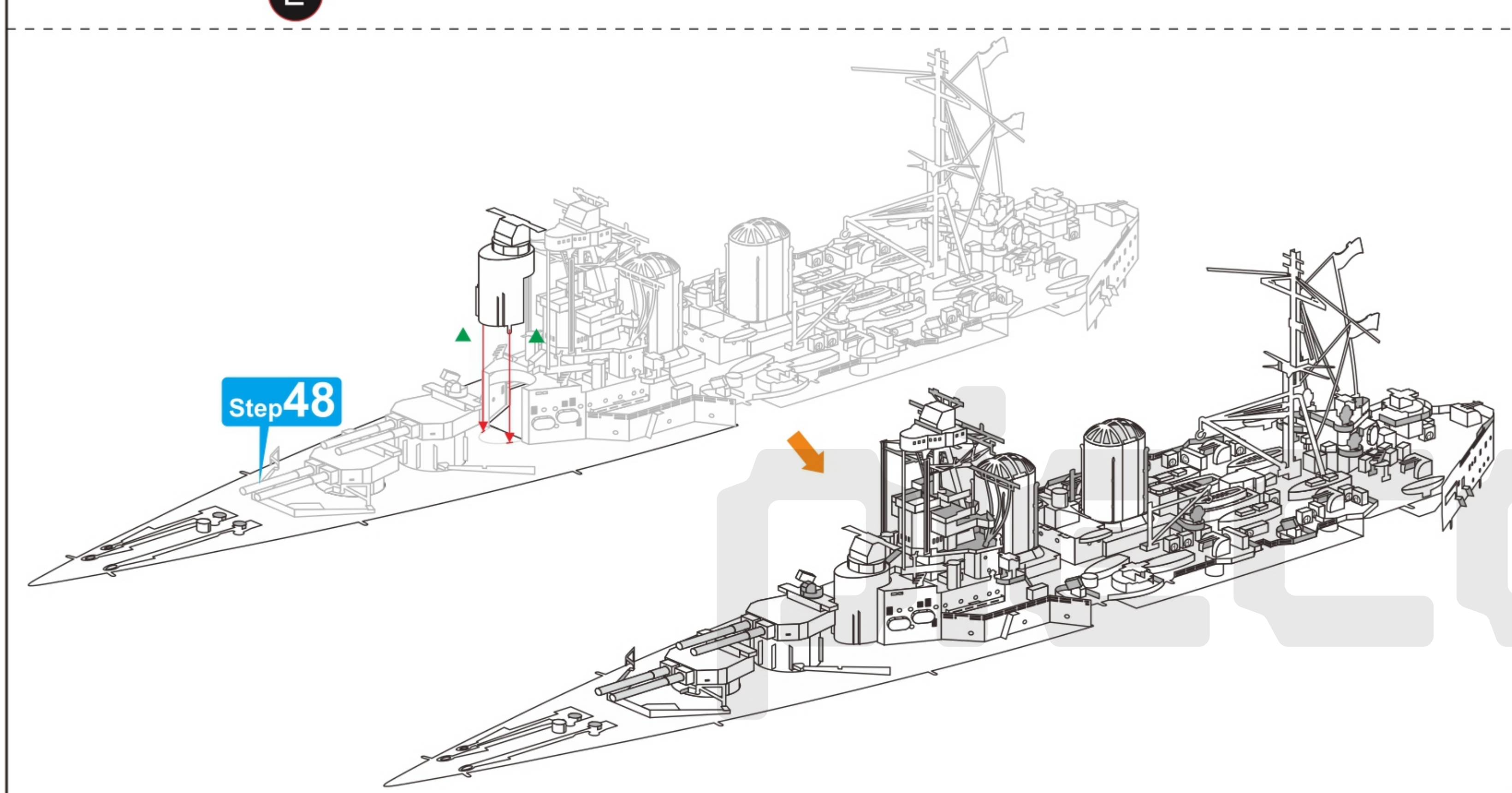
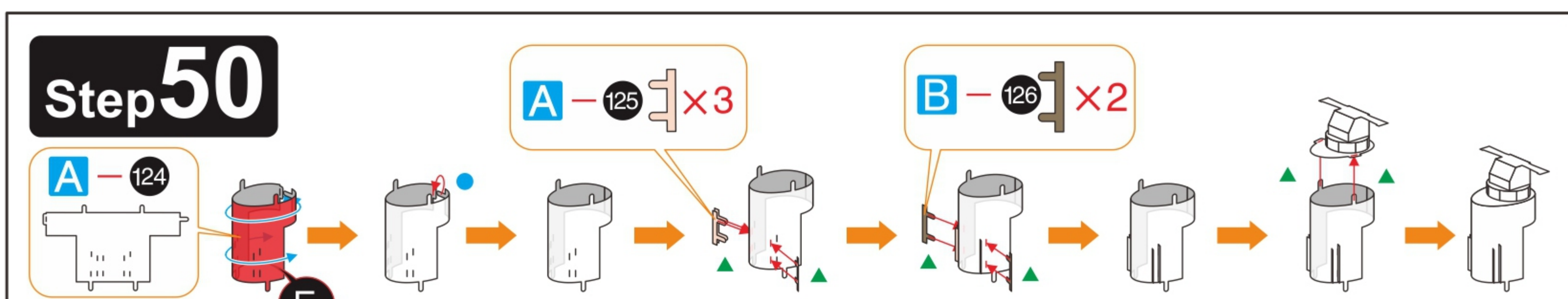
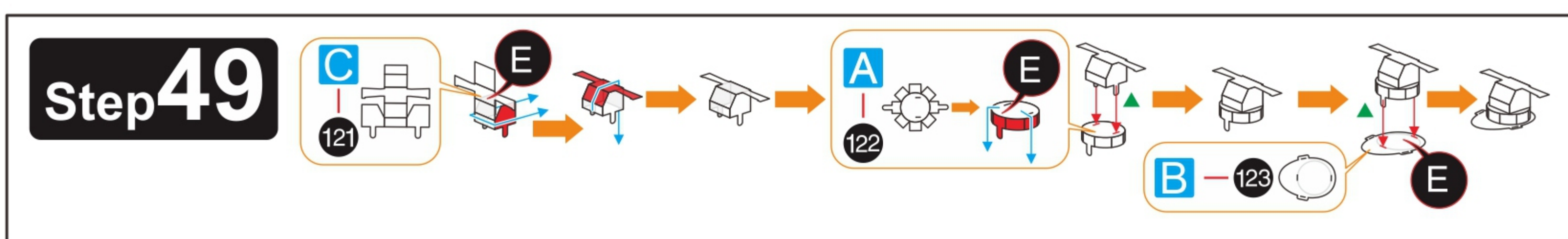




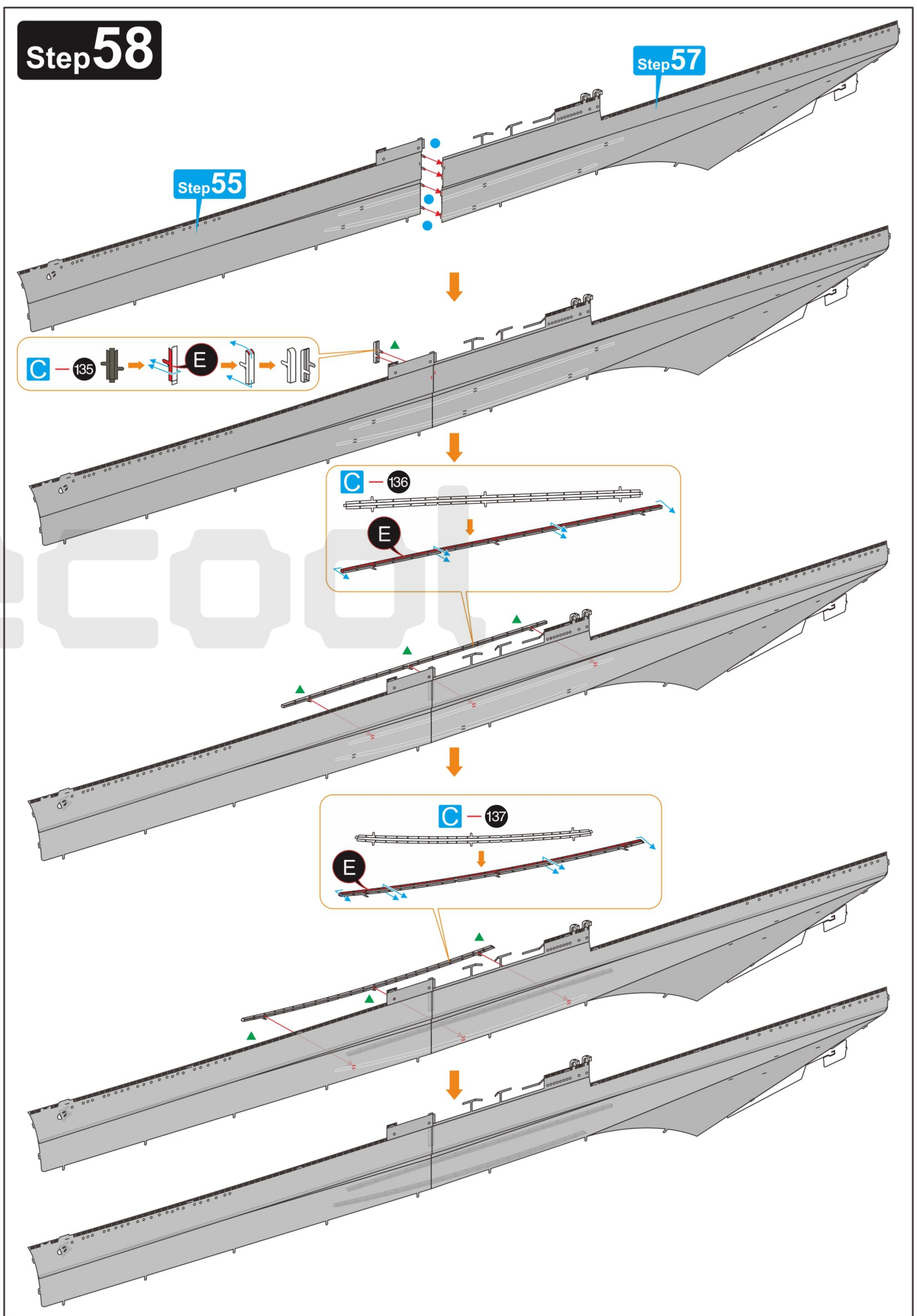
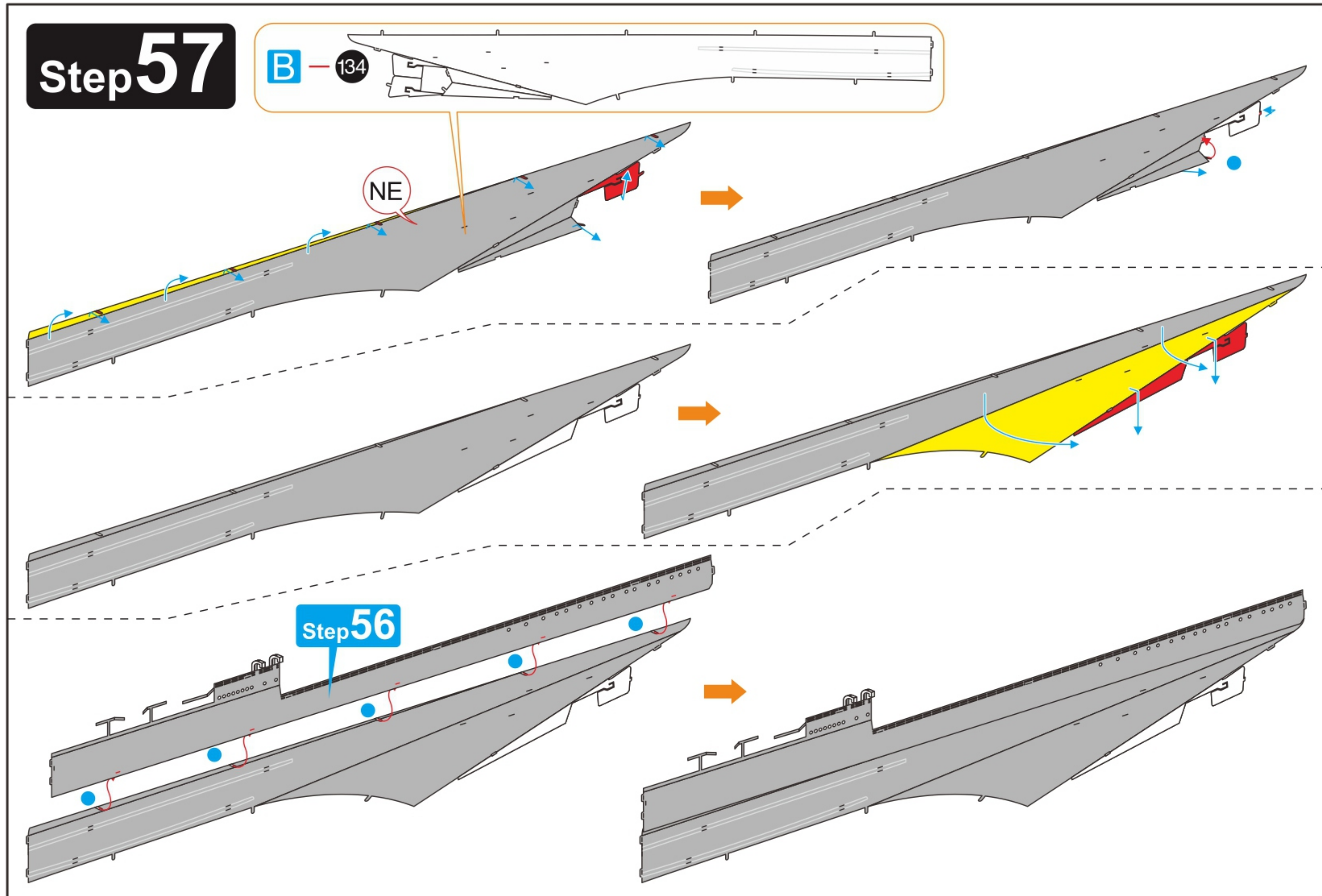
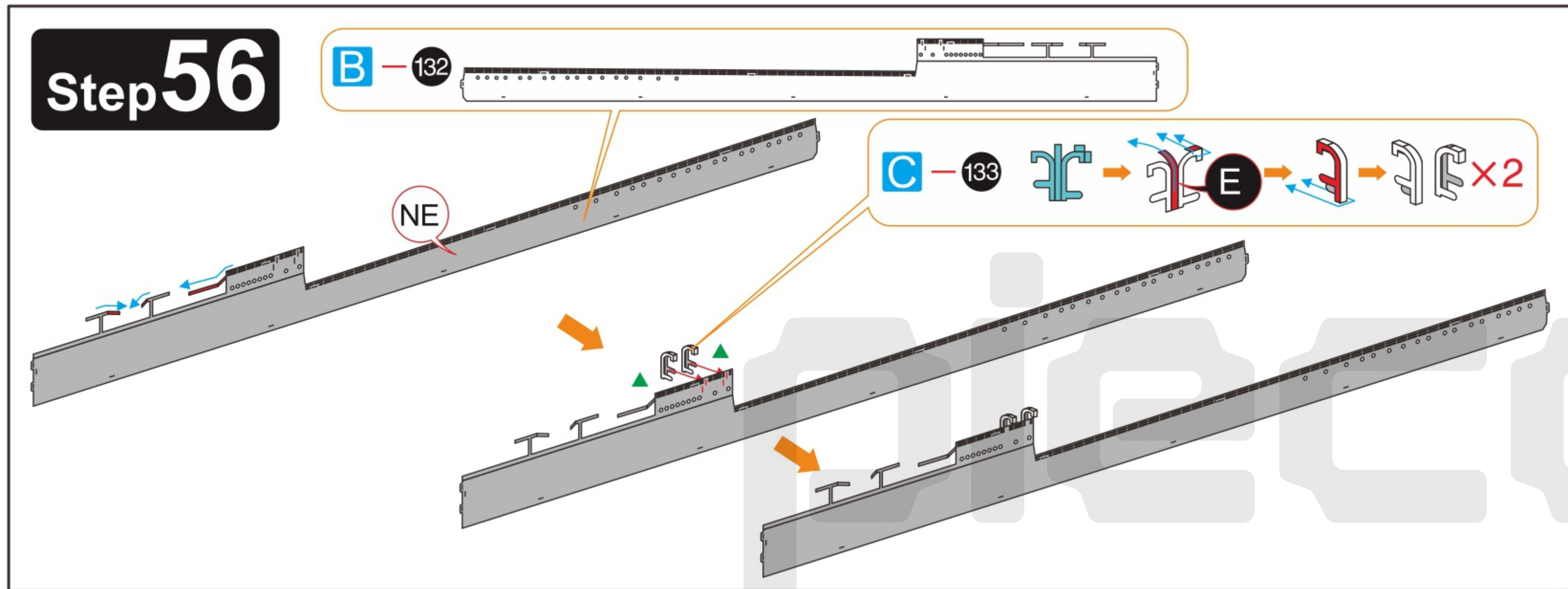
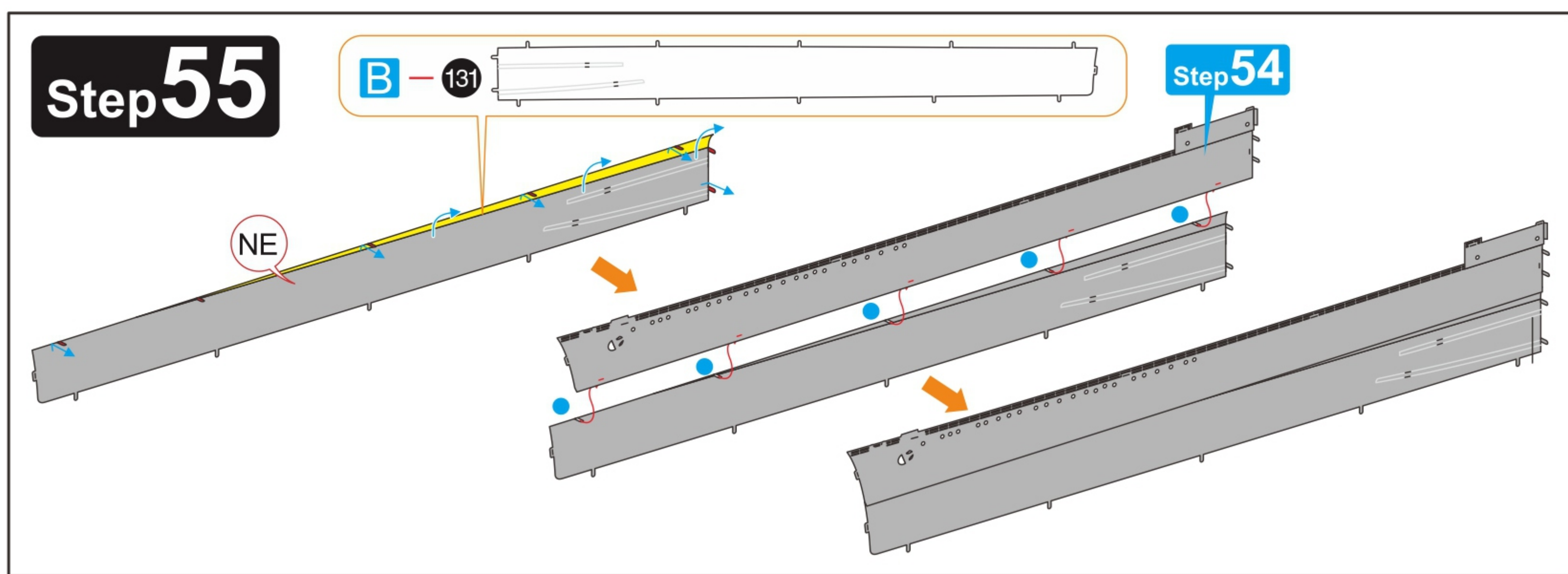




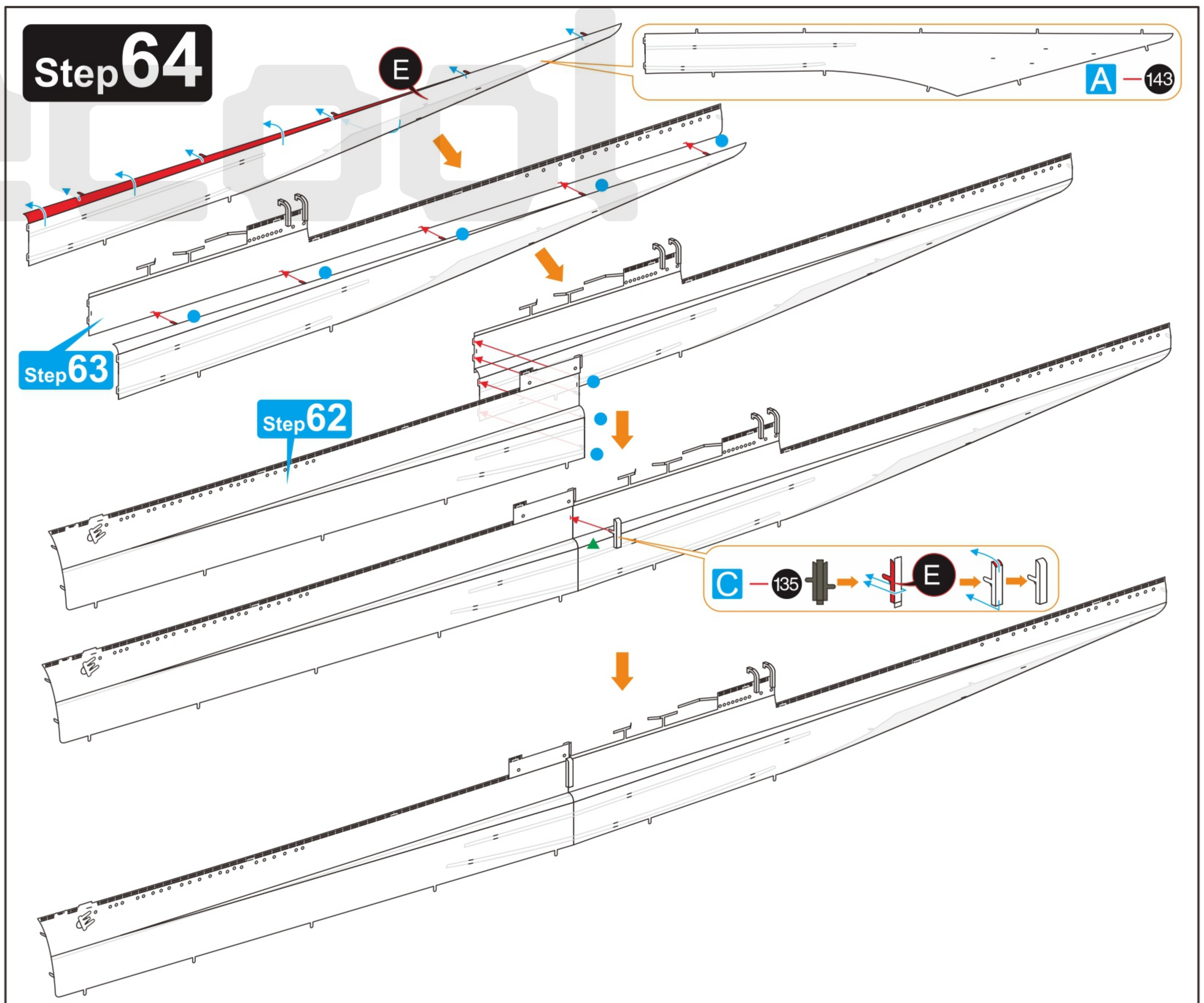
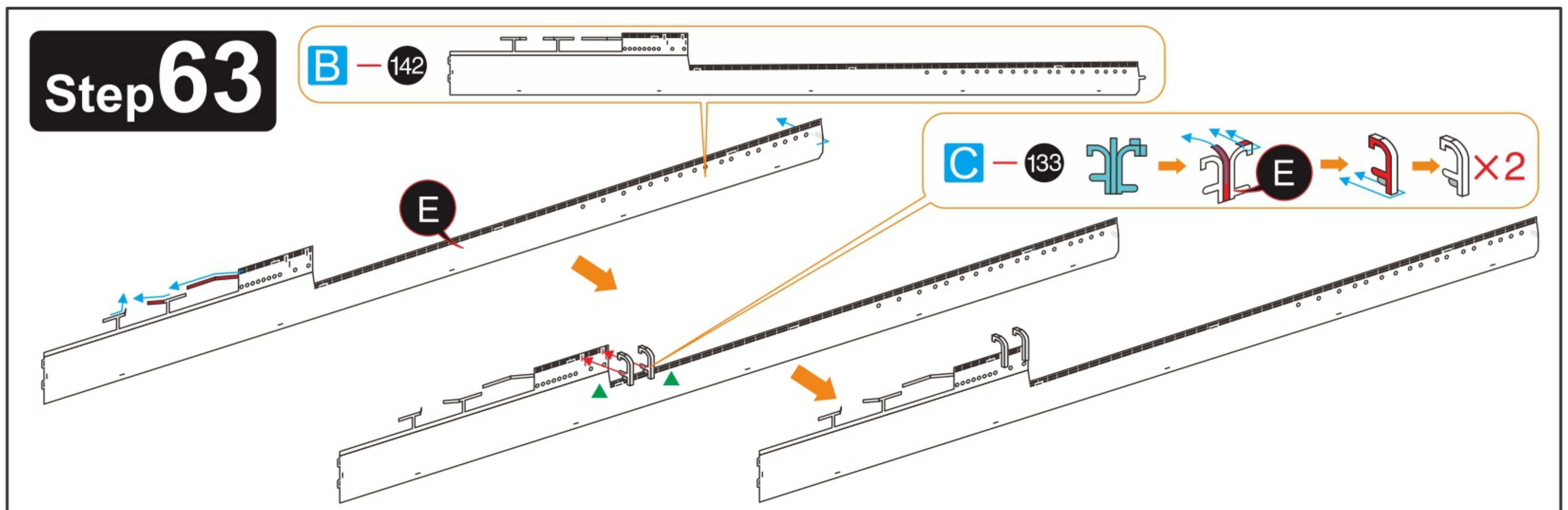
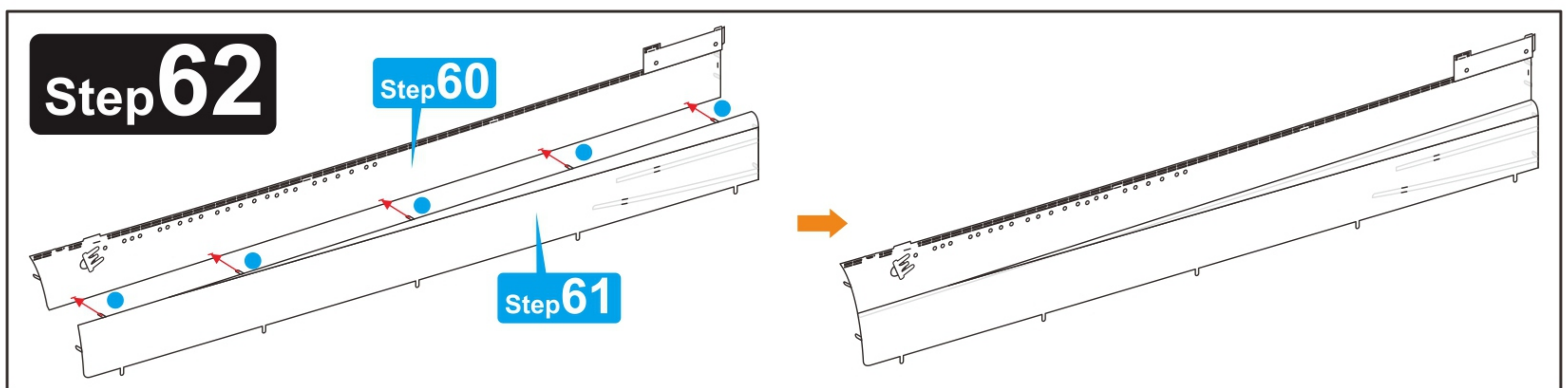
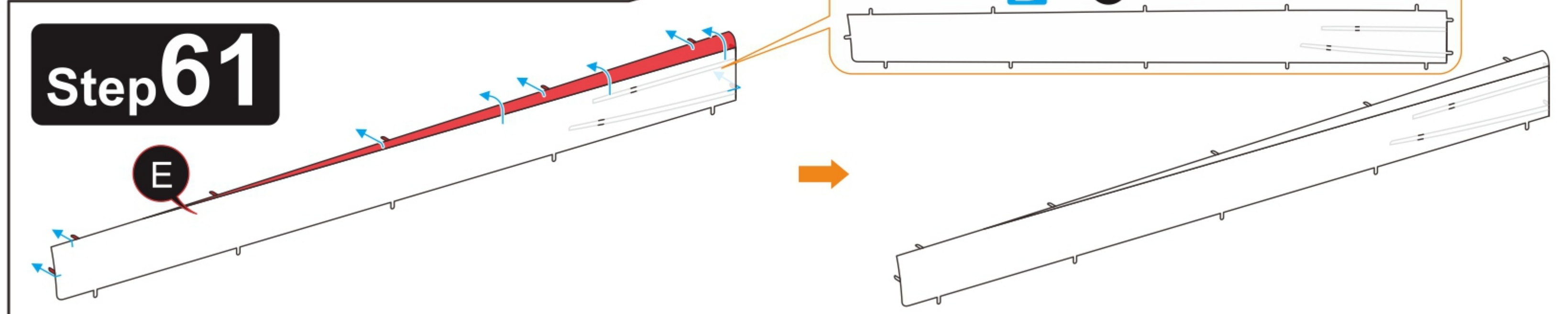
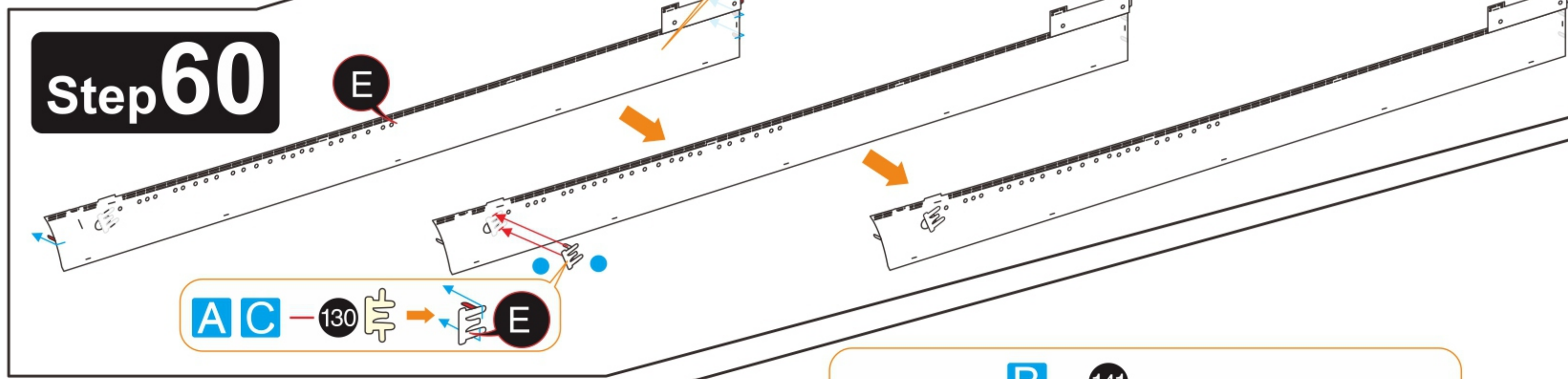
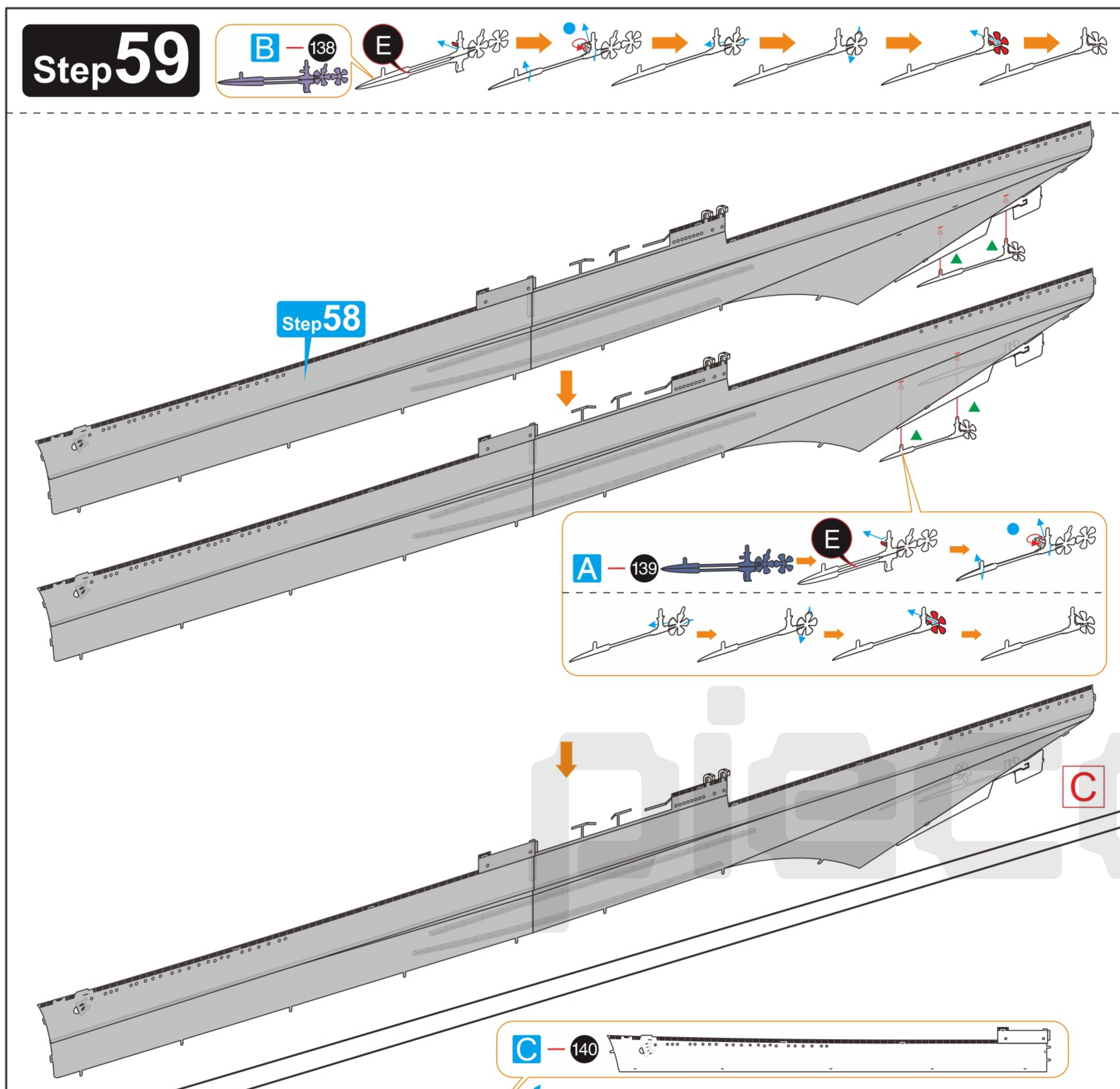
13 14  
15 16







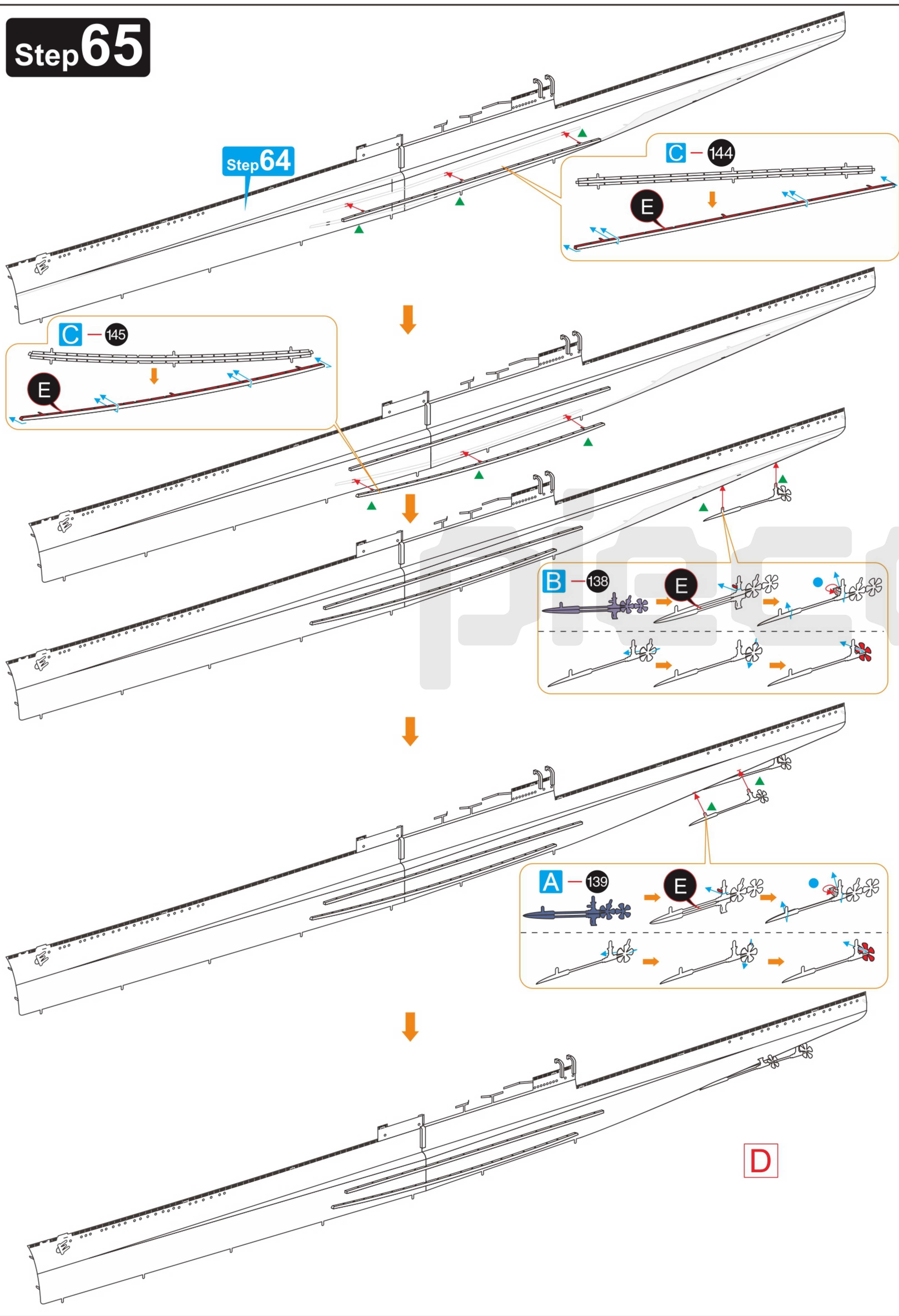
17 18  
19 20





# Step 65

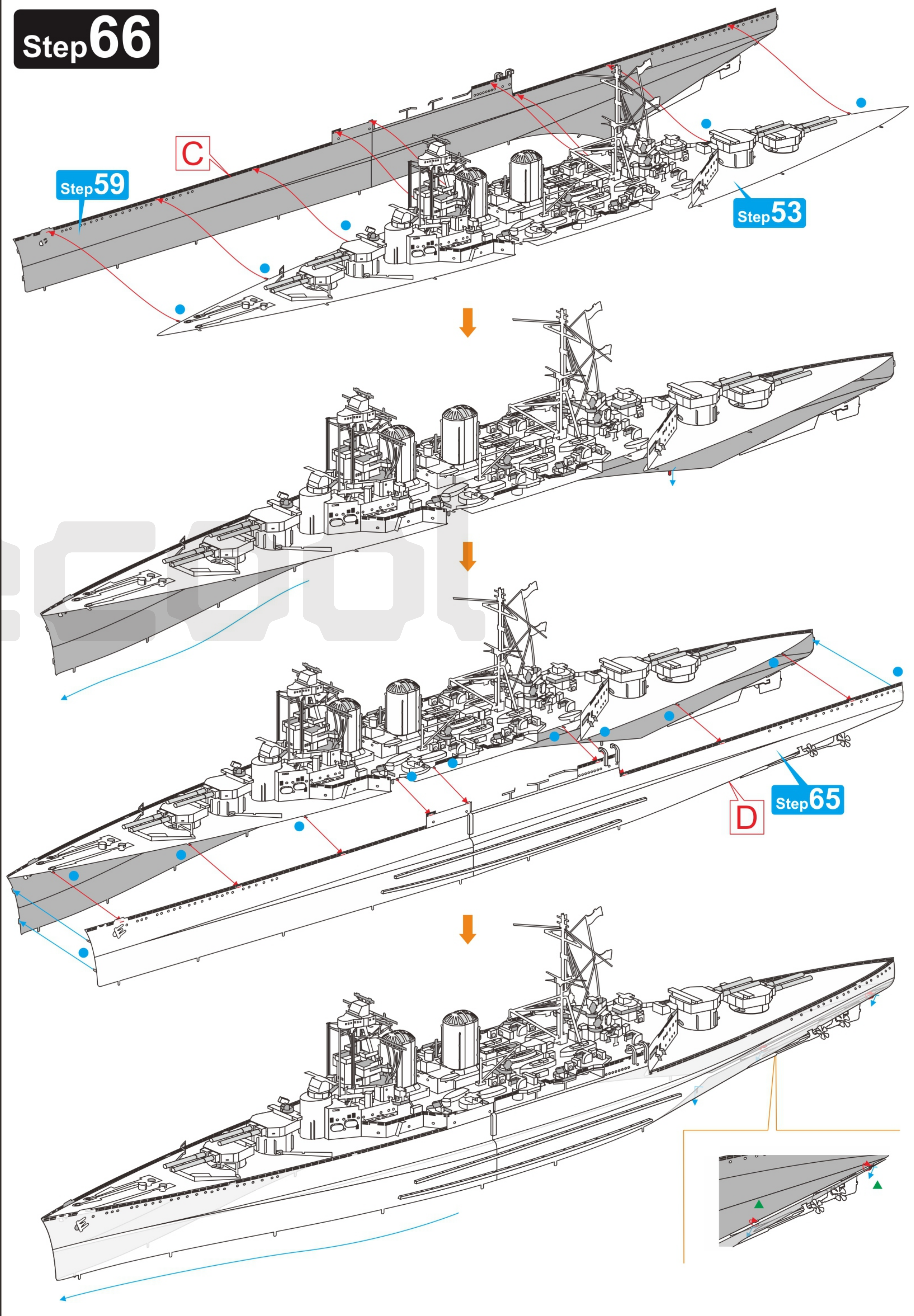
Step 64



# Step 66

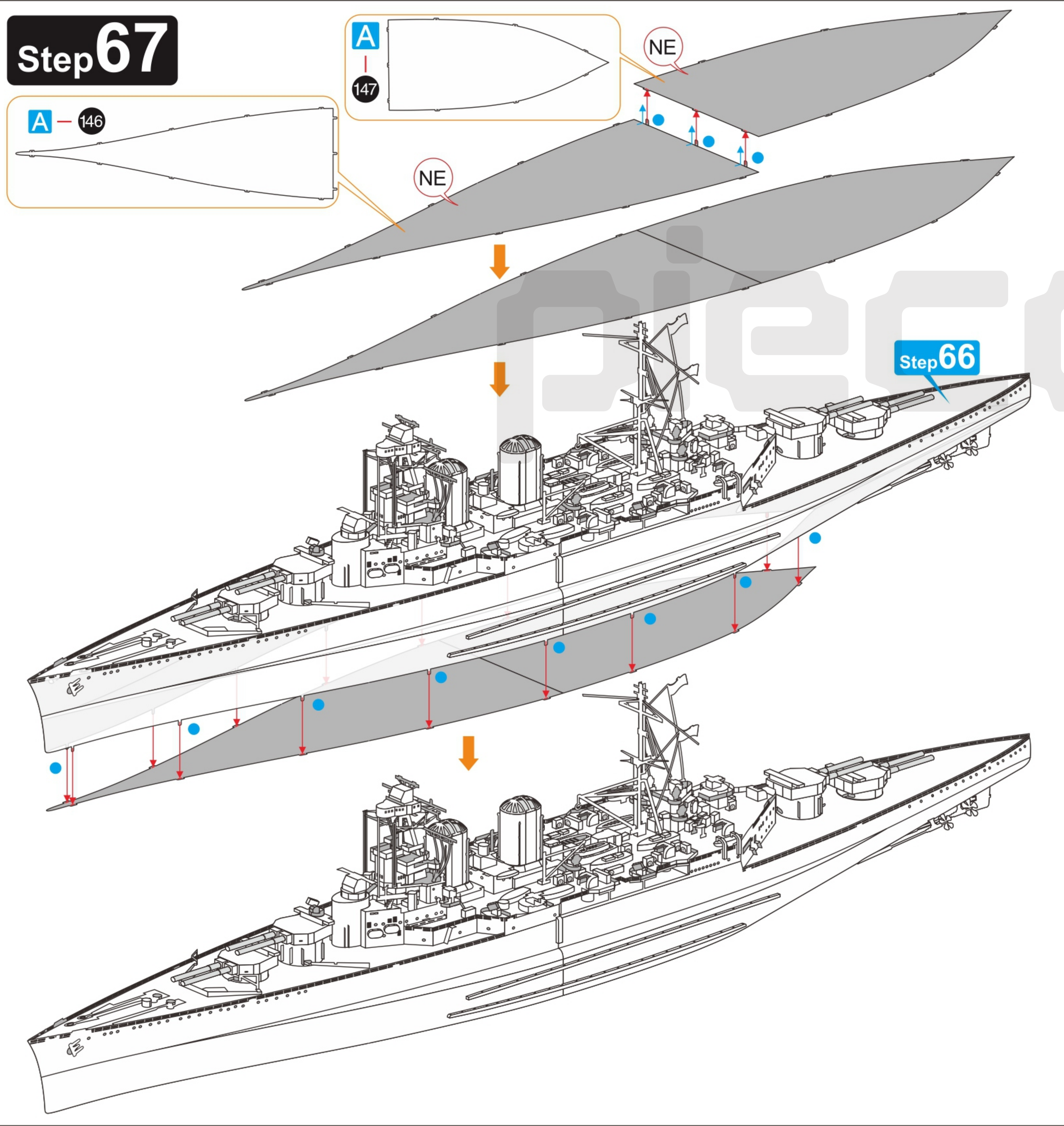
Step 59

Step 53



21 22  
23 24

# Step 67



# Step 68

Step 67

